



EZ Series 8 I

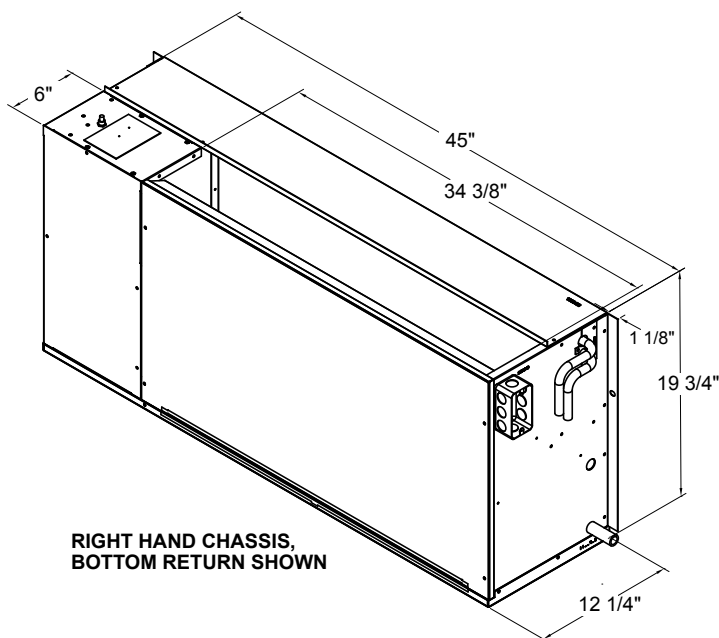
Console Water Source Heat Pump Replaces Climate Master 80I Series

Islandaire “The Perfect Fit” units are designed to exactly replace the original, existing chassis! No field modification kits or builder renovations are required. Islandaire units are designed for optimal efficiency and reliability.

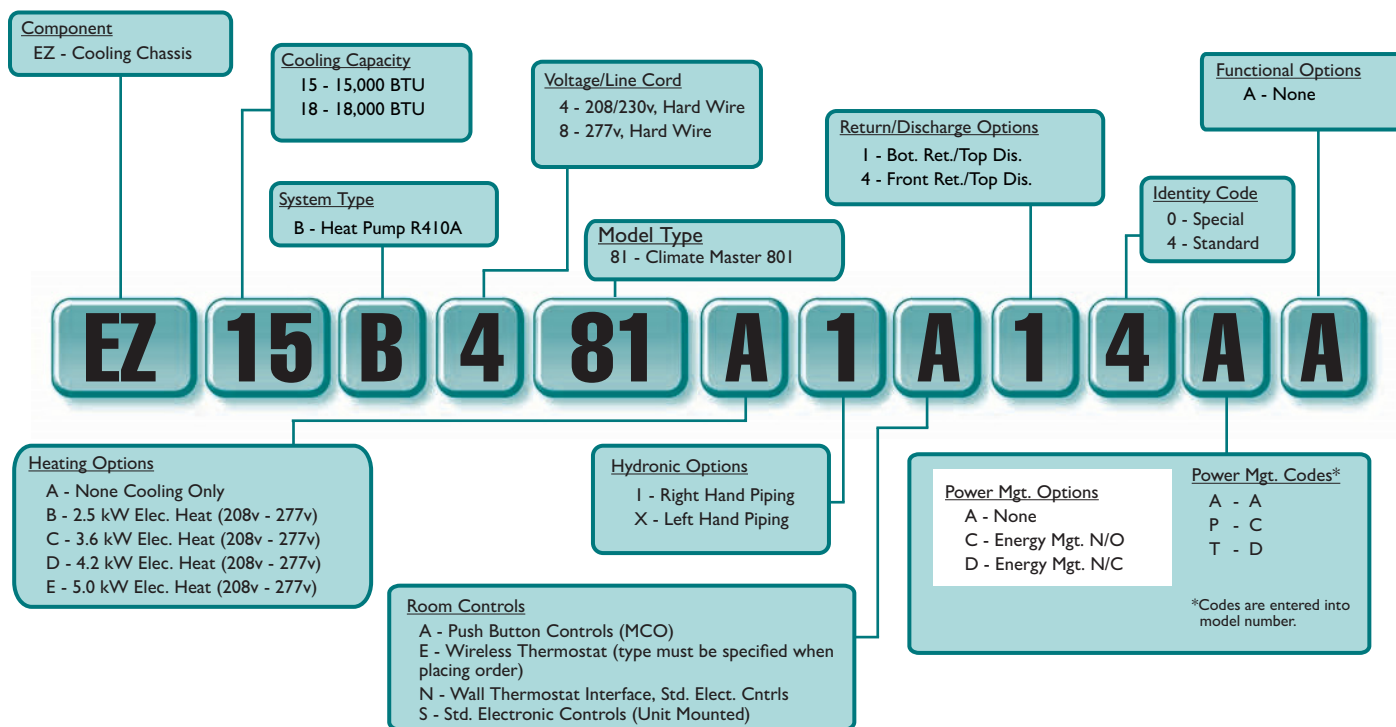
This appliance is intended for new construction or replacement of Climate Master 80I water source heat pumps. Please confirm that the electrical rating of this appliance matches the electrical supply available before beginning installation.

Features:

- Proudly Assembled in the U.S.A.
- Superior Energy Efficiency Ratio (EER)
- High efficiency coaxial condenser coil
- High efficiency evaporator coil
- Commercial Duty Construction with Heavy Gauge Galvanized Steel
- High pressure protection
- Compressor and water circuit freeze protection
- Refrigerant circuit access ports

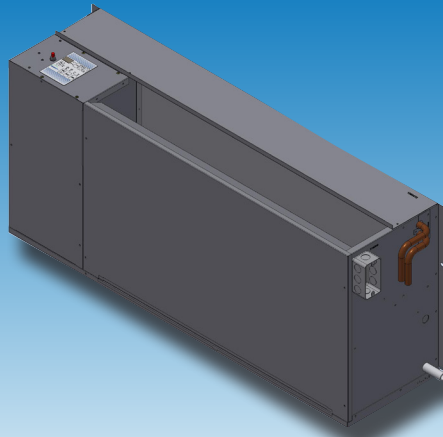


RIGHT HAND CHASSIS,
BOTTOM RETURN SHOWN



6140334 Rev. 12/21/22

EZ Series 81



Slide the old 81 unit out, slide
"The Perfect Fit" Islandaire unit in!
No Renovations!

ENVIRONMENTALLY
SOUND
REFRIGERANT



Notes:

Data based on AHRI/ASHRAE/ISO 13256-1:

Cooling (EAT): 80.6 °F DB/66.2 °F WB

Cooling (EWT): 86 °F

Heating (EAT): 68 °F

Heating (EWT): 68 °F

Water Loop Operation

Cooling LWT - EWT = 10 °F

Heating EWT - LWT = 10 °F

Heating Option	Voltage (3)	Wattage	BTU/h	Amps (4)
B	208	2,045	7,000	9.83
	230	2,500	8,500	10.87
	277	2,500	8,500	9.03
C	208	2,945	10,100	14.16
	230	3,600	12,300	15.65
	277	3,600	12,300	13.00
D	208	3,435	11,700	16.51
	230	4,200	14,300	18.26
	277	4,200	14,300	15.16
E	208	4,090	14,000	19.66
	230	5,000	17,100	21.74
	277	5,000	17,100	18.05

(3) Voltage is Single Phase, Alternating Current and R.M.S.

(4) Amp values are for heating element only.

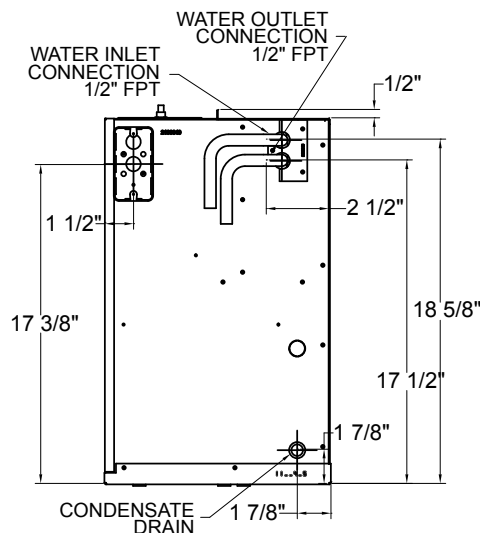
Line Voltage	Maximum Amperage	Wall Socket Configuration	Receptacle Number
115	16		NEMA 5-20R
208/230	12		NEMA 6-15R
208/230	16		NEMA 6-20R
208/230	24		NEMA 6-30R
277	16		NEMA 7-20R

MODELS

	EZ15		EZ18	
VOLTS	208/230	277	208/230	277
BTUH COOL	14,800/15,000	15,000	18,800/19,000	19,000
AMPS COOL	5.31/4.87	4.04	6.80/6.22	5.16
WATTS COOL	1,105/1,120	1,120	1,415/1,430	1,430
EER	13.4/13.4	13.4	13.3/13.3	13.3
CFM HIGH⁽¹⁾	450/460	460	535/545	545
CFM LOW⁽¹⁾	370/380	380	390/400	400
GPM	3.8/3.8	3.8	4.6/4.6	4.6
C.O.P.	4.6/4.6	4.6	4.5/4.5	4.5
BTUH HEATING	17,700/17,900	17,900	21,900/22,100	22,100
AMPS HEATING	5.41/4.96	4.12	6.85/6.26	5.20
WATTS HEATING	1,125/1,140	1140	1,425/1,440	1440
SOUND LVL (dBA)⁽²⁾	57	57	64	64
WEIGHT (LB)	100	100	108	108

(1) CFM values are dry coil (not in cooling mode).

(2) Sound values represent sound pressure levels.



RIGHT HAND PIPING SHOWN



500 Middle Country Road, St. James, NY 11780 • 1-800-886-2759

e-mail: sales@islandaire.com • www.islandaire.com

Ph: 631-471-2900 • Fax: 631-471-2913

EZ SERIES 81

Unit Accessories

HOSE KITS

PART NUMBER	DESCRIPTION	APPROX WT.	DIMENSIONS	
			LENGTH	DIA.
4091758	Hose Kit, 1/2", 4.00 GPM, 18"L	3.0 lbs.	18.0"	1/2"
4091759	Hose Kit, 1/2", 4.00 GPM, 18"L, w/Strainer	3.0 lbs.	18.0"	1/2"
4091760	Hose Kit, 1/2", 4.00 GPM, 24"L	3.0 lbs.	24.0"	1/2"
4091761	Hose Kit, 1/2", 4.00 GPM, 24"L, w/Strainer	3.0 lbs.	24.0"	1/2"
4091766	Hose Kit, 1/2", 4.50 GPM, 18"L	3.0 lbs.	18.0"	1/2"
4091767	Hose Kit, 1/2", 4.50 GPM, 18"L, w/Strainer	3.0 lbs.	18.0"	1/2"
4091768	Hose Kit, 1/2", 4.50 GPM, 24"L	3.0 lbs.	24.0"	1/2"
4091769	Hose Kit, 1/2", 4.50 GPM, 24"L, w/Strainer	3.0 lbs.	24.0"	1/2"



MOTORIZED VALVES

PART NUMBER	DESCRIPTION	APPROX WT.	FEATURES		
			VOLTAGE	TYPE	INLET
6041215	Actuator, 24 Vac, Normally Closed	1.0 lbs.	24 Vac	NC	N/A
6041256	Actuator, 24 Vac, Normally Open	1.0 lbs.	24 Vac	NO	N/A
6041214	Valve Body, 1/2" Thread, NPT	1.0 lbs.	N/A	N/A	NPT



THERMOSTATS

PART NUMBER	DESCRIPTION	APPROX WT.	FEATURES		
			CONNECTION	STAGE	DISPLAY
Use of any thermostat other than those shown below must be approved by Islandaire					
6041206	Islandaire Non-Programmable, Two Fan Speed	1.0 lbs.	Wireless	Single	Horizontal
6041210	Islandaire Programmable, Two Fan Speed	1.0 lbs.	Wireless	Single	Horizontal
6041228	Islandaire Programmable (7 Day/5-1-1 Day/ Non-Programmable), Two Fan Speed	1.0 lbs.	Wired	Single	Horizontal



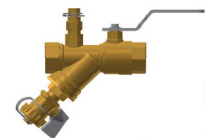
FILTERS

PART NUMBER	DESCRIPTION	APPROX WT.	DIMENSIONS		
			DEPTH	WIDTH	HEIGHT
6080000	EZ81 Aluminum Filter, Standard	2 lbs.	0.250"	30.750"	8.500"



OTHER OPTIONS

PART NUMBER	DESCRIPTION	APPROX WT.	FEATURES
4091692	Integrated Condensate Pump	1.1 lbs.	3.38"D x 1.57"W x 1.84"H
6041223	Strainer, 1/2" Dia. Hose Kit	1.0 lbs.	Use with 1/2" dia. Hose Kit



*Specifications are subject to change due to ongoing product development.

Ask your salesman about
our DR. PTAC option!*



*100% conditioned
fresh air

Vertical Unit Available

For New Construction and as
Replacement for:

GE AZ Vertical and
Friedrich Vert-I-Pak



500 Middle Country Road, St. James, NY 11780 • 1-800-886-2759
e-mail: sales@islandaire.com • www.islandaire.com
Ph: 631-471-2900 • Fax: 631-471-2913



Locally Represented By: