

# EZ SERIES AD

## Replacement for the Friedrich Climate Master and Weil-McLain Series 700AD

Islandaire EZ Series AD is a replacement for the Friedrich Climate Master and Weil-McLain models of 700AD units. Our commercial duty construction with heavy gauge galvanized steel and superior components create an efficient reliable unit. This design eliminates the need for any interior or exterior renovation. Use of the existing wall sleeve-cabinet and louver saves time and money, two very important factors in today's competitive environment! If the need does occur where the room cabinet needs to be replaced, we manufacture them, as well as a square or rectangle control box.



### FEATURES

- Proudly Assembled in the U.S.A.
- Dual Condensate Drains
- ETL listed product
- Superior Energy Efficiency Ratios (EERs)
- Commercial Duty Construction with Heavy Gauge Galvanized Steel, extensive rust prevention features
- Designed for exact replacement of existing sleeve opening
- High EER (Energy Efficient) Rotary Compressors
- High Efficiency BLDC Evaporator and Condenser Motors
- High-Efficiency Refrigeration Coils Used to Provide Superior Heat Transfer
- Hydrophilic Coated Evaporator Coils
- Units Available as Cooling only, Cooling with Electric Heat, Cooling with Hydronic Heat, or Heat Pumps
- Custom Options Available
- Available with State-of-the-Art Digital *Intellitemp™* Control System
- Available with wired and wireless wall thermostats
- NYC MEA Number 358-93-E Vol. II

**Voltage/Line Cord**

1 - 115v, 20 Amps	6 - 115v, Hard Wire
2 - 208/230v, 20 Amps	7 - 277v, 20 Amps
3 - 208/230v, 30 Amps	8 - 277v, Hard Wire
4 - 208/230v, Hard Wire	9 - 208/230v, 15 Amps
5 - 115v, 15 Amps	

**Cooling Capacity**

07 - 7,500 BTU  
09 - 9,500 BTU  
12 - 12,000 BTU  
15 - 15,000 BTU

<b>Functional Options</b>	<b>Functional Option Codes*</b>
A - None	A - A      L - BD
B - Motorized Damper	B - B      T - C
C - Fan Cycle Switch	C - BC     U - CD
D - Indoor Freeze Protect	D - BCD   2 - D

\*Codes are entered into model number.

**Component**  
EZ - Cooling Chassis

**System Type**  
A - Std. Chassis R410A  
B - Heat Pump R410A

**Model Type**  
AD - Friedrich 700AD

**Return/Discharge Options**  
I - Bot. Ret./Top Dis.

**Identity Code**  
0 - Special  
5 - Standard



**Heating Options**

A - None Cooling Only  
B - 2.5 kW Elec. Heat (208v - 277v)  
C - 3.6 kW Elec. Heat (208v - 277v)  
D - 4.2 kW Elec. Heat (208v - 277v)  
E - 5.0 kW Elec. Heat (208v - 277v)  
F - Hyd. Fan Cycle W/T-Stat (115v - 277v)  
G - Hyd. With Aquastat (115v - 277v)  
H - Hyd. W/2.5 kW B.U. Heat (208v - 277v)  
I - Hyd. W/3.6 kW B.U. Heat (208v - 277v)  
Y - 1.3 kW Elec. Heat (115v Only)

**Hydronic Options**

1 - None  
3 - 115v NC Valve  
4 - 230v NC Valve  
5 - 277v NC Valve  
7 - 115v NO Valve  
8 - 230v NO Valve  
9 - 277v NO Valve

**Room Controls**

E - Wireless Thermostat (type must be specified when placing order)  
H - Extended Control Module, Square  
I - Extended Control Module, Rectangle  
N - Wall Thermostat Interface, Std. Elect. Cntrls  
P - Intellitemp Control Module, Square  
R - Intellitemp Control Module, Rectangle  
U - Std. Electronic Control Module, Square  
V - Std. Electronic Control Mod., Rectangle

**Power Mgt. Options**  
A - None

\*Specifications are subject to change due to ongoing product development.



## MODELS

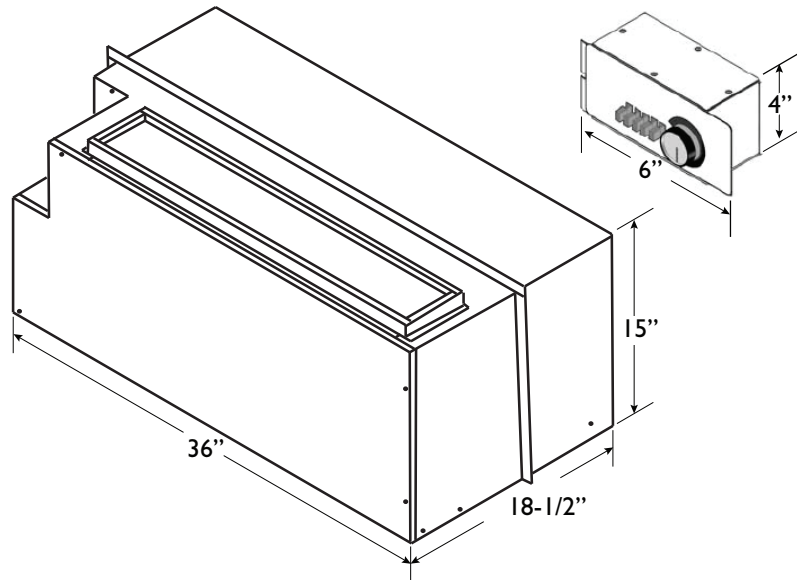
	EZ07			EZ09			EZ12			EZ15	
VOLTS	115	208 / 230	277	115	208 / 230	277	115	208 / 230	277	208 / 230	277
BTUH COOL	7,000	7,000	7,000	9,200	9,200	9,400	11,800	12,000	11,500	14,500	14,500
AMPS	6.48	3.58 / 3.24	2.69	8.87	4.86 / 4.39	3.77	12.22	6.08 / 5.5	4.89	8.73 / 7.89	6.62
WATTS COOL	745	745	745	1,020	1,010	1,045	1,405	1,265	1,355	1,815	1,835
EER	9.4	9.4	9.4	9.0	9.1	9.0	8.4	9.5	8.5	8.0	7.9
CFM HIGH *	400	400	400	400	400	400	420	420	420	500	500
CFM LOW *	260	260	260	260	260	260	350	350	350	400	400
BTUH HEATING	6,800	6,800	6,800	9,000	8,800	9,000	11,500	11,000	11,500	13,500	13,500
WATTS HEATING	710	710	710	975	955	975	1295	1150	1205	1520	1520
C.O.P.	2.8	2.8	2.8	2.7	2.7	2.7	2.6	2.8	2.8	2.6	2.6
WEIGHT (LBS)	105	105	105	110	110	110	115	115	115	120	120

\* CFM values are dry coil (not in cooling mode).

Heating Option	Voltage <sup>(1)</sup>	Wattage	BTU/h	Amps <sup>(2)</sup>
B	208	2,045	7,000	9.83
	230	2,500	8,500	10.87
	277	2,500	8,500	9.03
C	208	2,945	10,100	14.16
	230	3,600	12,300	15.65
	277	3,600	12,300	13.00
D	208	3,435	11,700	16.51
	230	4,200	14,300	18.26
	277	4,200	14,300	15.16
E	208	4,090	14,000	19.66
	230	5,000	17,100	21.74
	277	5,000	17,100	18.05
H	208	2,045	7,000	9.83
	230	2,500	8,500	10.87
	277	2,500	8,500	9.03
I	208	2,945	10,000	14.15
	230	3,600	12,300	15.65
	277	3,600	12,300	13.00
Y	115	1,300	4,400	11.30

Where applicable, cooling capacities are specified at conditions of 95 °F DB/75 °F WB outdoor and 80 °F DB/67 °F WB indoor and heating capacities are specified at conditions of 47 °F DB/43 °F WB outdoor and 70 °F DB/60 °F WB indoor in accordance with AHRI 310/380 and CSA C744 standards. Wattage, Amperage, EER, and COP listings include compressor, evaporator motor and condenser fan motor. The above ratings are a typical heat pump style unit.

- (1) Voltage is Single Phase, Alternating Current and R.M.S.  
 (2) Amp values are for heating element only.

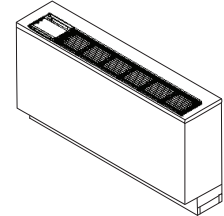


Line Voltage	Maximum Amperage	Wall Socket Configuration	Receptacle Number	Electrical Heat Options
115	12		NEMA 5-15R	1.3
115	16		NEMA 5-20R	1.7
208/230	12		NEMA 6-15R	2.5
208/230	16		NEMA 6-20R	3.6
208/230	24		NEMA 6-30R	4.2 - 5.0
277	16		NEMA 7-20R	2.5 - 4.2
277	24		NEMA 7-30R	5.0



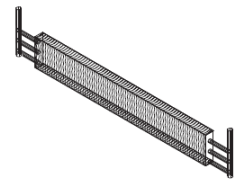
### ENCLOSURES

PART NUMBER	DESCRIPTION	APPROX WT.	DIMENSIONS		
			DEPTH	WIDTH	HEIGHT
Consult Factory	EZAD Enclosure Assembly, Custom	20 lbs. and up)	Various	Various	Various
1900307	EZAD Discharge Plenum Assembly	10 lbs.	6.567"	31.854"	2.500"



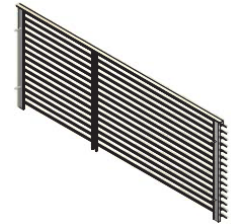
### HYDRONIC COILS

PART NUMBER	DESCRIPTION	APPROX WT.	DIMENSIONS		
			DEPTH	WIDTH	HEIGHT
4090160	EZAD Hydronic Coil & Frame Kit	20 lbs.	35.250"	6.00"	0.750"
6030130	EZAD Hydronic Coil, Headered, Opposite End	15 lbs.	35.875"	5.750"	1.299"



### LOUVERS

PART NUMBER	DESCRIPTION	APPROX WT.	DIMENSIONS		
			DEPTH	WIDTH	HEIGHT
6070256	EZAD Exterior Architectural Louver, Standard	8 lbs.	1.125"	36.250"	15.50"



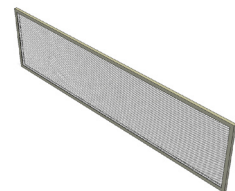
### THERMOSTATS

PART NUMBER	DESCRIPTION	APPROX WT.	FEATURES		
			CONNECTION	STAGE	DISPLAY
6041206	Islandaire Non-Programmable, Two Fan Speed	1.0 lbs.	Wireless	Single	Horizontal
6041210	Islandaire Programmable, Two Fan Speed	1.0 lbs.	Wireless	Single	Horizontal
6041228	Islandaire Programmable (7 Day/5-1-1 Day/ Non-Programmable), Two Fan Speed	1.0 lbs.	Wired	Single	Horizontal



### FILTERS

PART NUMBER	DESCRIPTION	APPROX WT.	DIMENSIONS		
			DEPTH	WIDTH	HEIGHT
6080000	EZAD Aluminum Filter, Standard	2 lbs.	0.250"	30.750"	8.500"



\*Specifications are subject to change due to ongoing product development.

Ask your salesman about  
our DR. PTAC option!\*



\*100% conditioned  
fresh air

## Vertical Unit Available

For New Construction and as  
Replacement for:

GE AZ Vertical and  
Friedrich Vert-I-Pak



500 Middle Country Road, St. James, NY 11780 • 1-800-886-2759  
e-mail: [sales@islandaire.com](mailto:sales@islandaire.com) • [www.islandaire.com](http://www.islandaire.com)  
Ph: 631-471-2900 • Fax: 631-471-2913



Locally Represented By: