

REV.00

General Assembly

Included Models

ENF VR12 C BMAD R2 UL LED EXP V17 FOODSE

1020195

Item	Internal Code	Spare Part Code	Description
1	3024399	2063491	PILASTER
2	3022313	2017303	ANTI-VACUUM MOULDING
3	2050944	2078061	WIRE COVER
4	2038149	2076344	MOLD DEFLECTOR SUPPORT
5	2049202	2085681	DEFLECTOR MOULDING
6	3035053	2076488	WIRE COVER
7	3044252	2076349	PANEL SUPPORT
8	3001457	2065052	SWITCH
9	3052756	2065364	TEMPERATURE CONTROL
10	3043769	2076494	CONTROL SUPPORT
11	3017428	2065076	CONTROL KNOB
12	3063878	2095425	POWER CORD
13	3001608	2017168	BACK GRILL
14	3022973	2017169	SHELF
15	3041575	2065346	CLIP F/PILASTER
16	3017492	2016589	THERMOMETER
17	3001490	2076878	WALL SPACER
18	2050666	2055500	FRONT GRILL
19	3022238	2065360	LEVELING LEG
20	3052103	2076368	DRIVER 24W
*	3051073	2063497	MAIN HARNESS
*	3051966	2063498	HARNESS MOTOR
*	3051070	2068095	LED HARNESS
*	3017532	2063499	MOTOR GROUND HARNESS
*	3051078	2063493	COMPRESSOR HARNESS

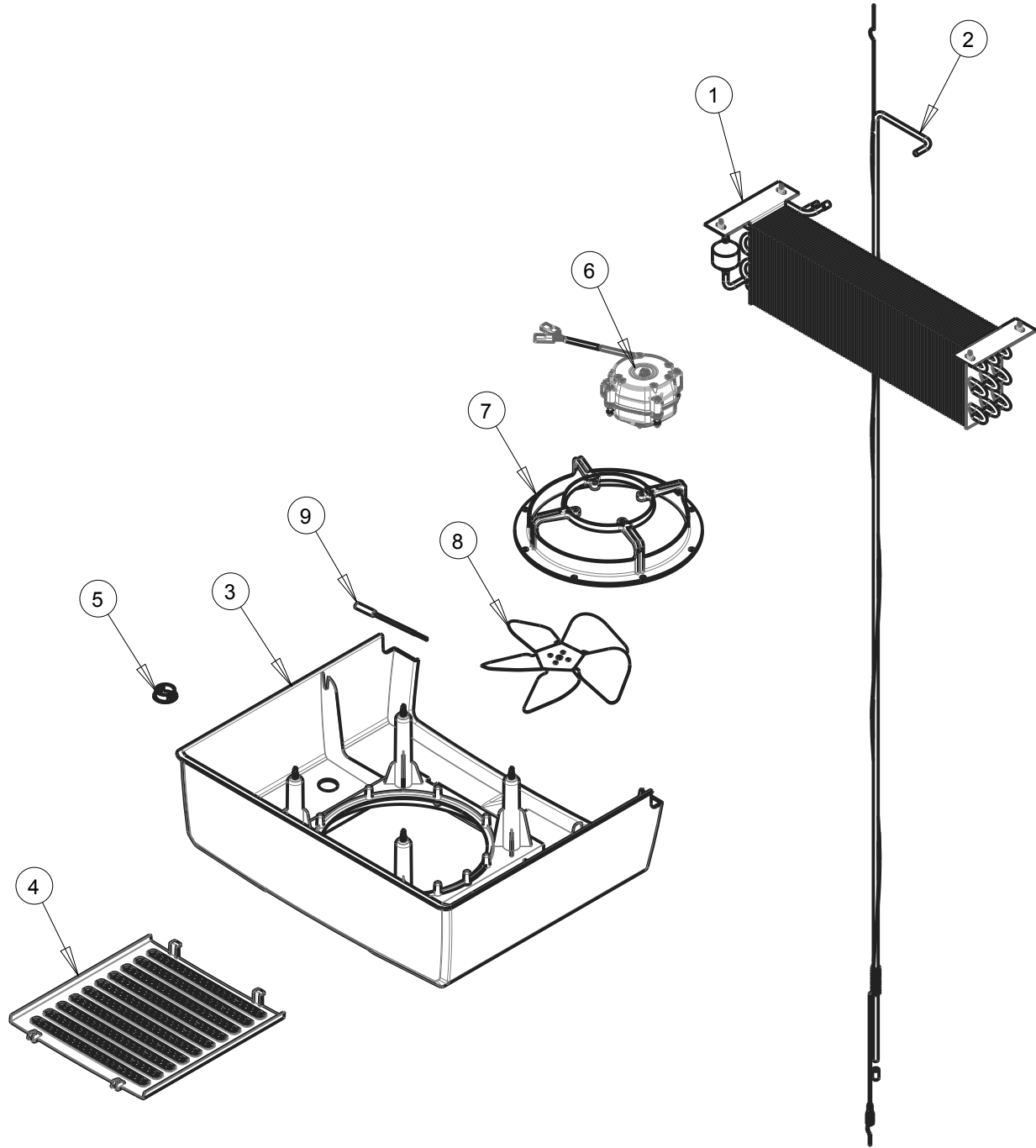
REV.00

General Assembly

Included Models

ENF VR12 C BMAD R2 UL LED EXP V17 FOODSE

1020195



REV.00

Evaporator Unit

Included Models

ENF VR12 C BMAD R2 UL LED EXP V17 FOODSE

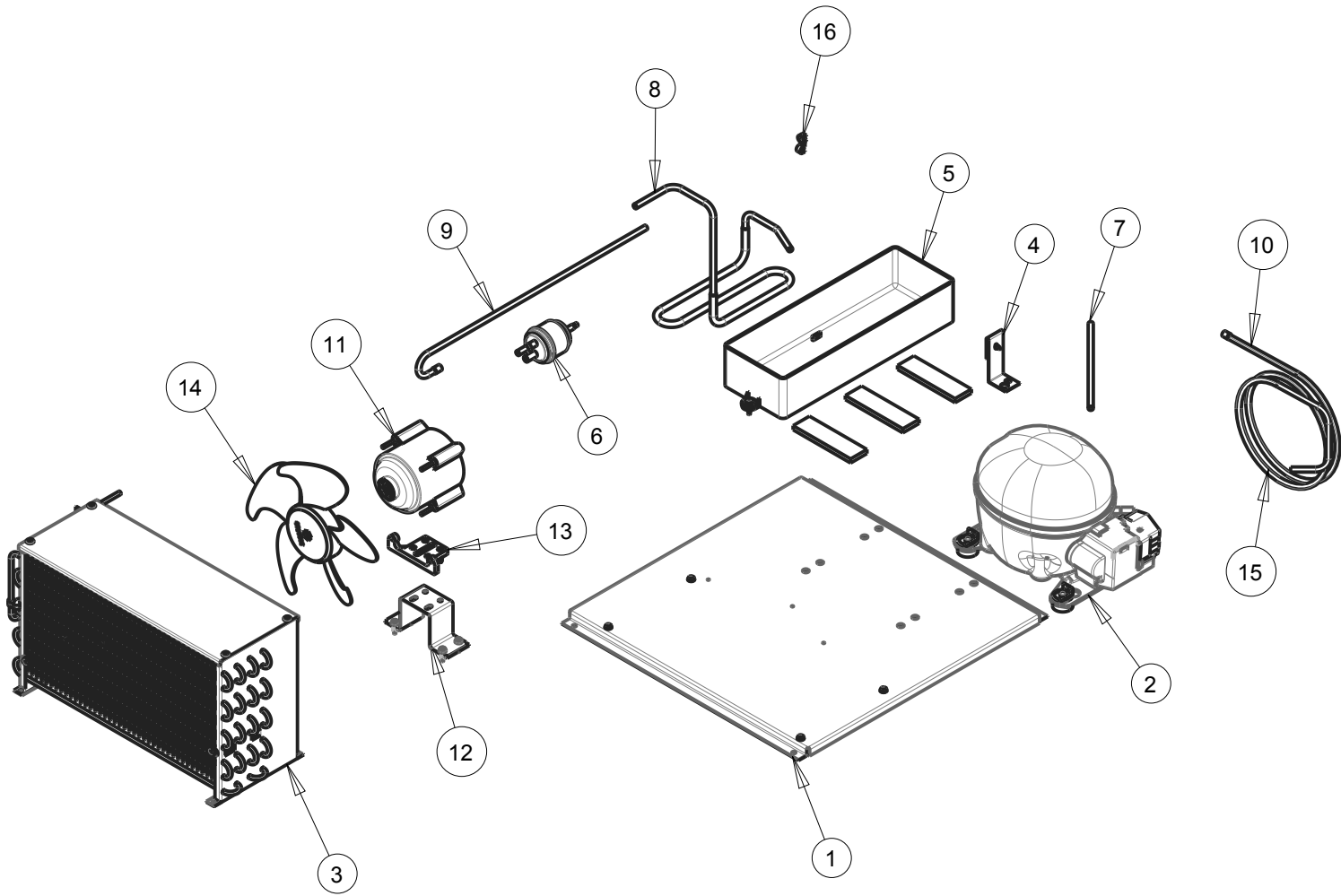
1020195

Item	Internal Code	Spare Part Code	Description
1	3054281	2068680	EVAPORATOR RIGHT
2	2070169	2086701	HEAT EXCHANGER
3	2064215	2068682	EVAP HOUSING
4	2044821	2068676	EVAP HOUSING COVER
5	3015563	2077081	STOPPER
6	3023792	2065067	EVAP FAN MOTOR
7	3023907	2021792	MOTOR EVAP SUPPORT
8	3023793	2017317	COND FAN BLADE
9	3031133	2065184	TEMPERATURE SENSOR

REV.00

Evaporator Unit

Included Models ENF VR12 C BMAD R2 UL LED EXP V17 FOODSE 1020195



REV.00

Condenser Unit

Included Models

ENF VR12 C BMAD R2 UL LED EXP V17 FOODSE

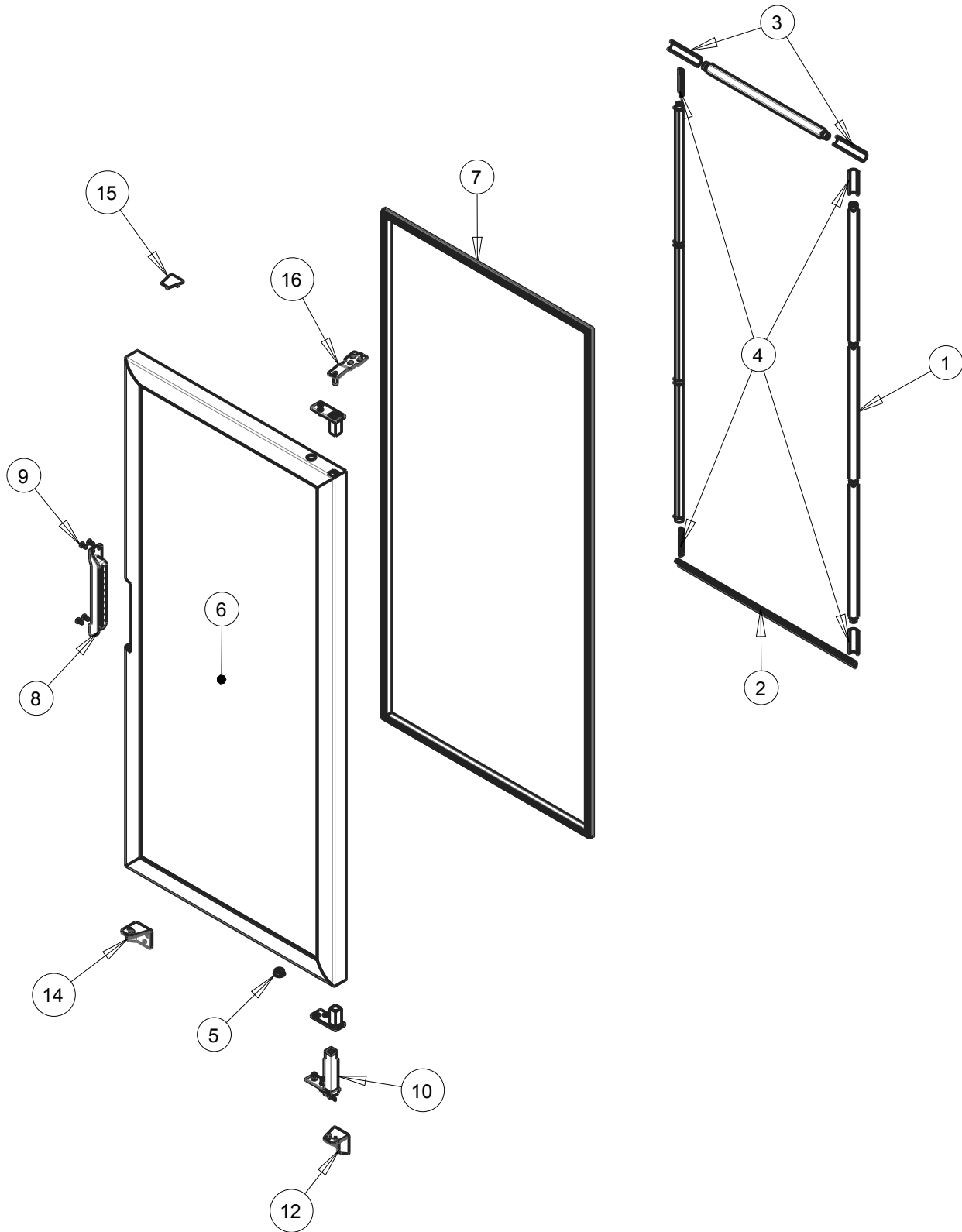
1020195

Item	Internal Code	Spare Part Code	Description
1	2048906	2077718	COMPRESSOR BASE
2	3053523	2078378	COMPRESSOR
3	2043293	2065074	CONDENSER
4	2003751	2045838	COND PAN SUPPORT
5	3000814	2065072	CONDENSATE PAN
6	3043930	2065116	FILTER DRIER
7	2014639	2063514	CHARGE PIPE
8	2070170	2085661	DISCHARGE PIPE
9	2017610	2065166	VACCUM PIPE
10	2088417	2090450	SUCTION LINE
11	3023792	2065067	COND FAN MOTOR
12	3041448	2055733	MOTOR STAND
13	3027277	2016551	MOTOR EVAP SUPPORT
14	3023793	2017317	COND FAN BLADE
15	3000807	2077326	PIPE INSULATION
16	3037478	2083587	PIPE SUPPORT

REV.00

Condenser Unit

Included Models ENF VR12 C BMAD R2 UL LED EXP V17 FOODSE 1020195



REV.00

Door

Included Models

ENF VR12 C BMAD R2 UL LED EXP V17 FOODSE

1020195

Item	Internal Code	Spare Part Code	Description
1	3051065	2065047	LED MODULE
2	2010407	2085662	MOULDING GLASS FIXER COVER
3	2010397	2085663	MOULDING GLASS FIXER COVER
4	2012160	2085861	MOULDING GLASS FIXER COVER
5	3023352	2077329	STOPPER
6	2028958	2041785	GLASS DOOR
7	3027479	2073979	GASKET
8	2018749	2076375	PLASTIC DOOR HANDLE
9	3027788	2081335	REMOVABLE RIVET
10	3038236	2022628	SELF CLOSING
11	3028538	2077415	REINFORCEMENT
12	3052961	2076369	BOTTOM HINGE
13	3043342	2076346	REINFORCEMENT
14	3052962	2076110	BOTTOM HINGE
15	3023211	2065162	HINGE COVER
16	3023206	2065356	TOP HINGE
*	3051220	2075742	F-M MODULE HARNESS
*	3032583	2068365	F-M MODULE HARNESS

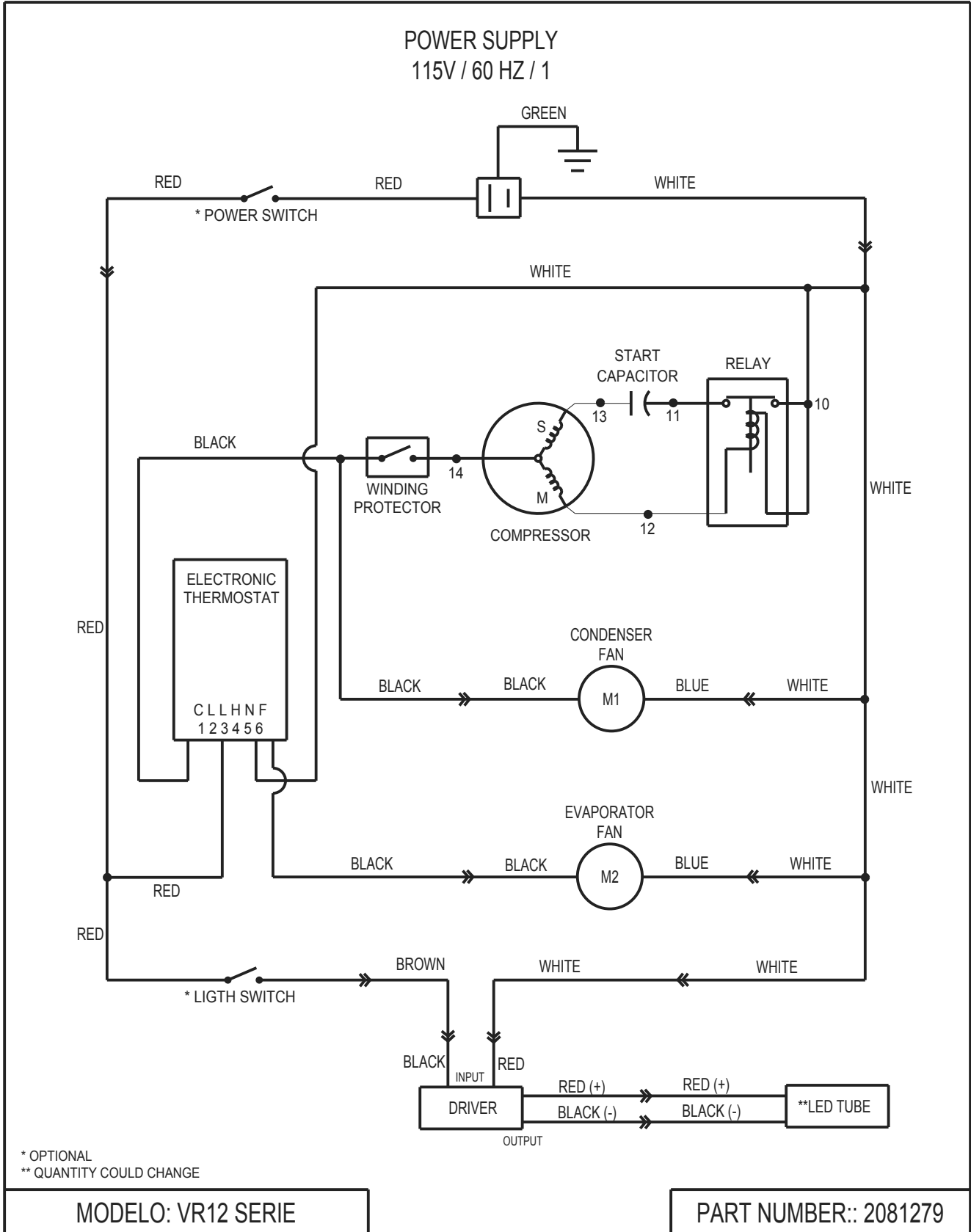
REV.00

Door

Included Models

ENF VR12 C BMAD R2 UL LED EXP V17 FOODSE

1020195



REV.00

Wiring Diagram

Included Models

ENF VR12 C BMAD R2 UL LED EXP V17 FOODSE

1020195