

REV.00

General Assembly

Included Models

ENF VRD37 C BMAD R2 UL LED EXP V18 FS

1020687

Item	Internal Code	Spare Part Code	Description
1	3035417	2085659	GROMMET
2	3029548	2077027	PILASTER
3	3044137	2055505	ANTI-VACUUM VALVE
4	3056241	2078071	GASKET ANTI-VACUUM VALVE
5	2057972	2078064	TUBE COVER
6	2054402	2085859	TUBE COVER MOLDING
7	3065916	2096868	WIRE COVER
8	2038149	2076344	MOLD DEFLECTOR SUPPORT
9	2000027	2077077	DEFLECTOR MOLDING
10	2063880	2087183	FRONTAL POLE
11	3035053	2076488	WIRE COVER
12	3041965	2086705	DOOR SUPPORT
13	3052756	2065364	TEMPERATURE CONTROL
14	3043769	2076494	CONTROL SUPPORT
15	3052103	2076368	DRIVER 24W
16	3001457	2065052	SWITCH
17	3017428	2065076	CONTROL KNOB
18	3022239	2065163	POWER CORD
19	3031088	2026656	BACK GRILL
20	3030831	2026667	SHELF
21	3041575	2065346	CLIP F/PILASTER
22	3017492	2016589	THERMOMETER
23	3022238	2065360	LEVELING LEG
24	3001490	2076878	WALL SPACER
25	2054404	2065361	FRONT GRILL
*	3054674	2077308	MAIN HARNESS
*	3054675	2068371	COMPRESSOR HARNESS
*	3052000	2063529	LED HARNESS

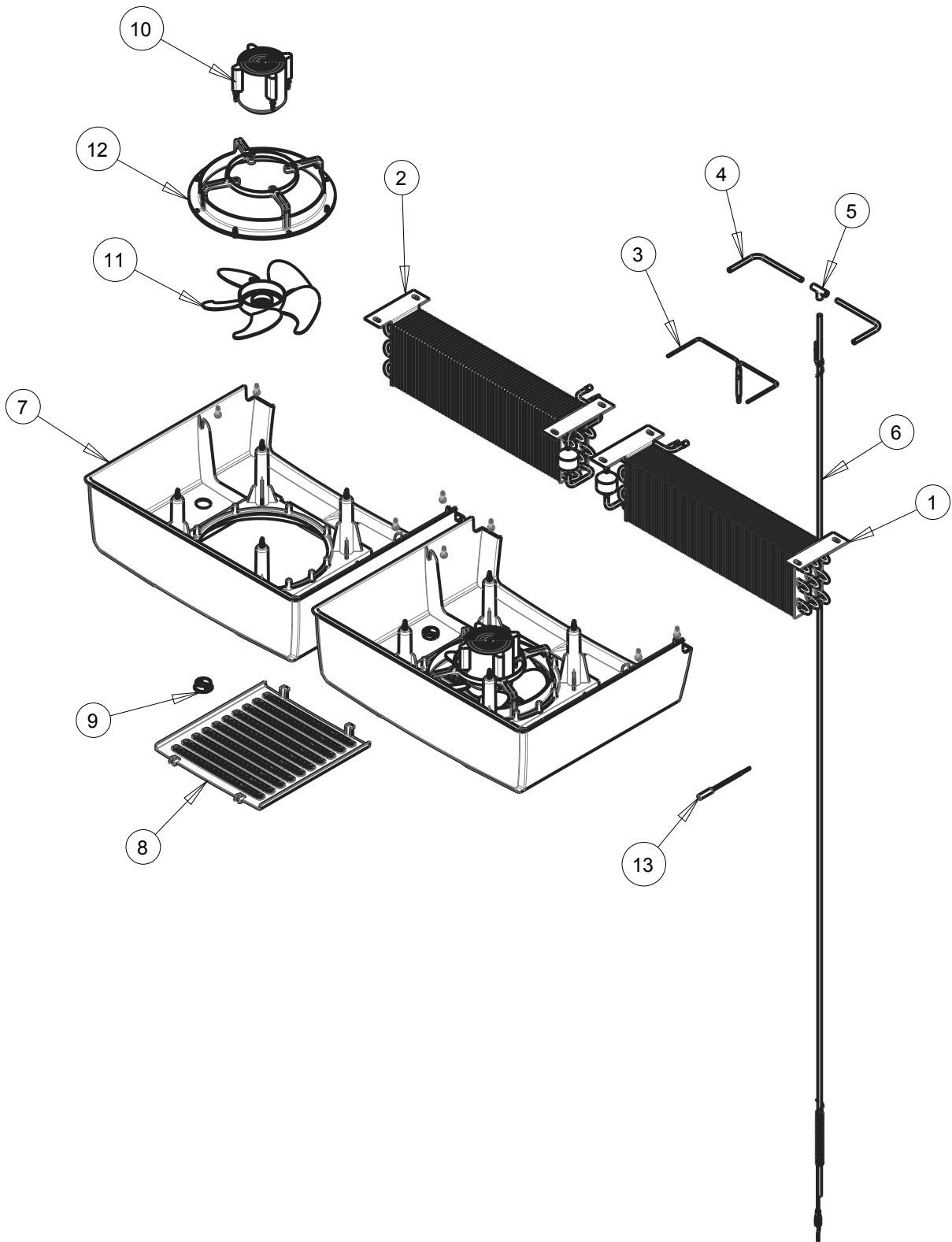
REV.00

General Assembly

Included Models

ENF VRD37 C BMAD R2 UL LED EXP V18 FS

1020687



REV.00

Evaporator Unit

Included Models

ENF VRD37 C BMAD R2 UL LED EXP V18 FS

1020687

Item	Internal Code	Spare Part Code	Description
1	3054281	2068680	EVAPORATOR RIGHT
2	3054282	2068681	EVAPORATOR LEFT
3	3052986	2065334	"Y" REFRIGERANT PIPE
4	2058376	2065349	EVAP OUTLET PIPE
5	3036199	2065347	COOPER TEE FITTING
6	2065243	2077314	RETURN PIPE
7	2064215	2068682	EVAP HOUSING
8	2044821	2068676	EVAP HOUSING COVER
9	3015563	2077081	STOPPER
10	3023792	2065067	EVAP FAN MOTOR
11	3023793	2017317	EVAP FAN BLADE
12	3023907	2021792	MOTOR EVAP SUPPORT
13	3031133	2065184	TEMPERATURE SENSOR

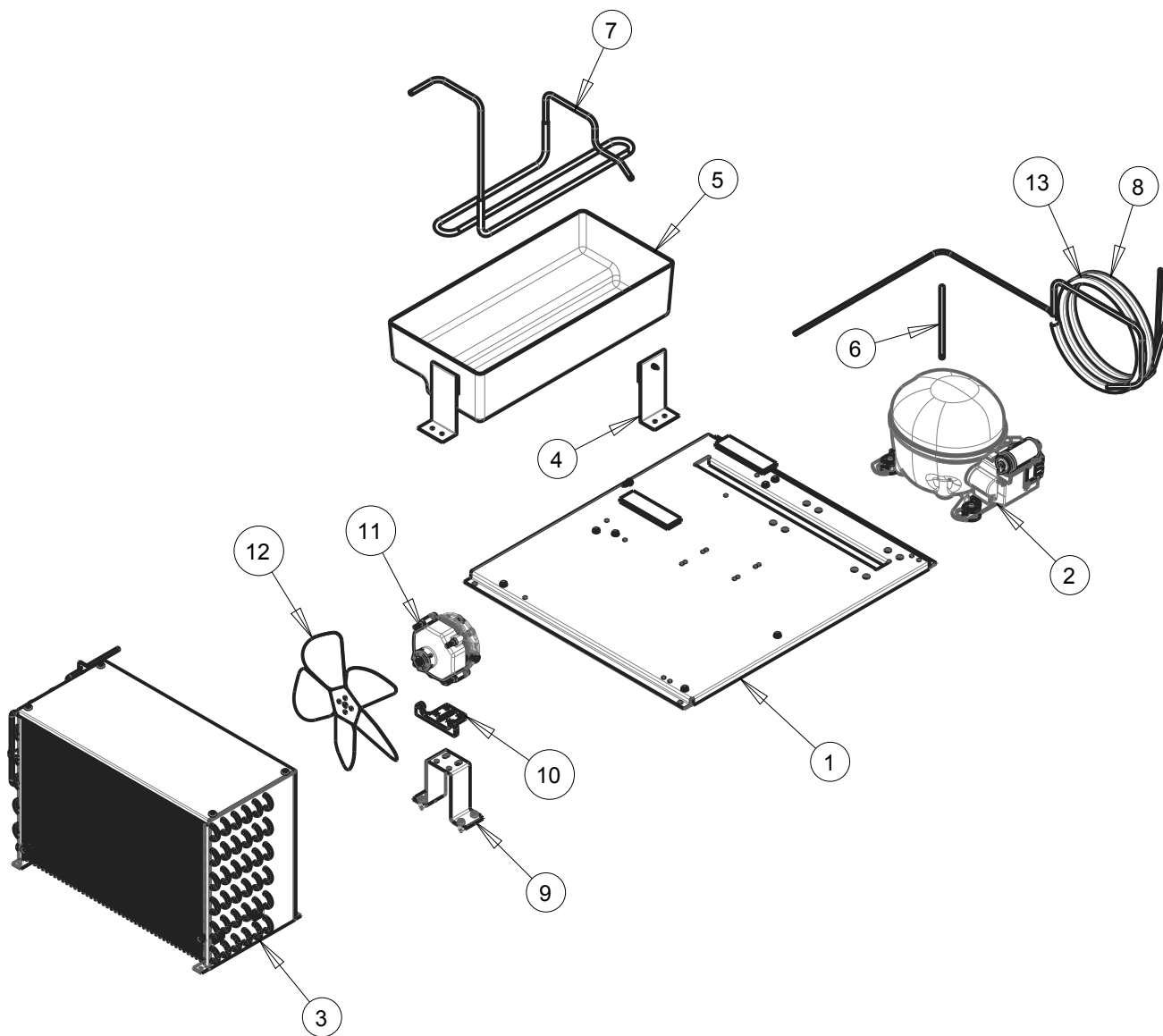
REV.00

Evaporator Unit

Included Models

ENF VRD37 C BMAD R2 UL LED EXP V18 FS

1020687



REV.00

Condenser Unit

Included Models

ENF VRD37 C BMAD R2 UL LED EXP V18 FS

1020687



Item	Internal Code	Spare Part Code	Description
1	2057998	2098578	COMPRESSOR BASE
2	3056028	2073993	COMPRESSOR
3	2047059	2056133	CONDENSER
4	2066813	2073254	COND PAN SUPPORT
5	2010600	2024707	CONDENSATE PAN
6	2014639	2063514	CHARGE PIPE
7	2066143	2073249	DISCHARGE PIPE
8	2066142	2073247	HEAT EXCHANGER
9	3033267	2077074	MOTOR STAND
10	3027277	2016551	MOTOR EVAP SUPPORT
11	3030464	2065107	COND FAN MOTOR
12	3024836	2061515	COND FAN BLADE
13	3000807	2077326	PIPE INSULATION
14	3043930	2065116	FILTER DRIER
15	2030264	2076400	VACCUM PIPE
16	3037478	2083587	PIPE SUPPORT

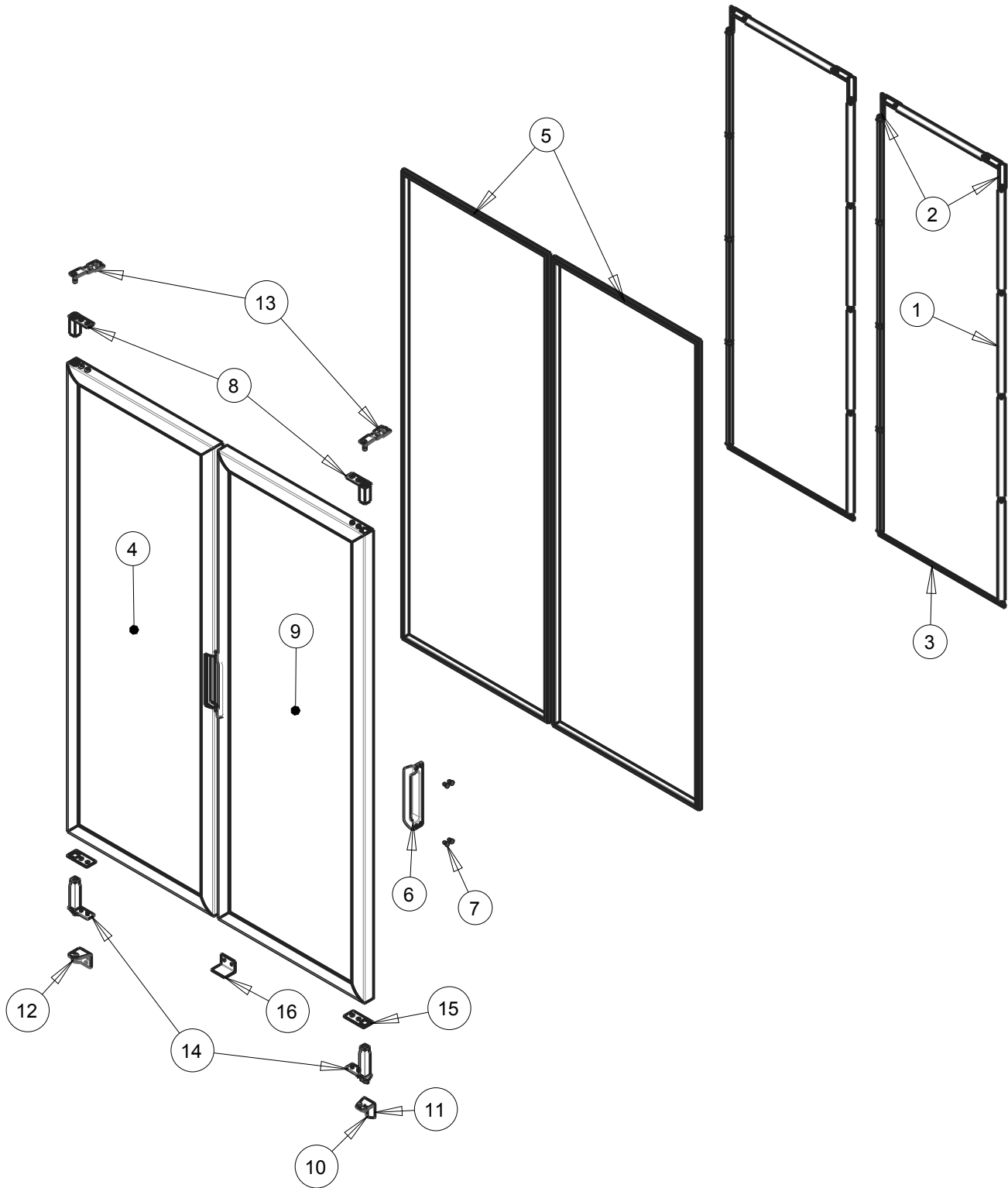
REV.00

Condenser Unit

Included Models

ENF VRD37 C BMAD R2 UL LED EXP V18 FS

1020687



REV.00

Door

Included Models

ENF VRD37 C BMAD R2 UL LED EXP V18 FS

1020687

Item	Internal Code	Spare Part Code	Description
1	3051065	2065047	LED MODULE
2	2010211	2085107	MOULDING GLASS FIXER COVER
3	2026104	2089819	MOULDING GLASS FIXER COVER
4	2039165	2075872	GLASS DOOR LEFT
5	3042060	2026657	GASKET
6	2018749	2076375	PLASTIC DOOR HANDLE
7	3027788	2081335	REMOVABLE RIVET
8	3044866	2076112	DOOR BUSHING
9	2039164	2075871	GLASS DOOR RIGHT
10	3052961	2076369	BOTTOM HINGE
11	3043342	2076346	REINFORCEMENT
12	3052962	2076110	BOTTOM HINGE
13	3023206	2065356	TOP HINGE
14	3043569	2055558	SELF CLOSING
15	3028538	2077415	REINFORCEMENT
16	3023318	2024704	DOOR SUPPORT
*	3051220	2075742	F-M MODULE HARNESS
*	3045554	2076101	F-DRIVER MODULE HARNESS

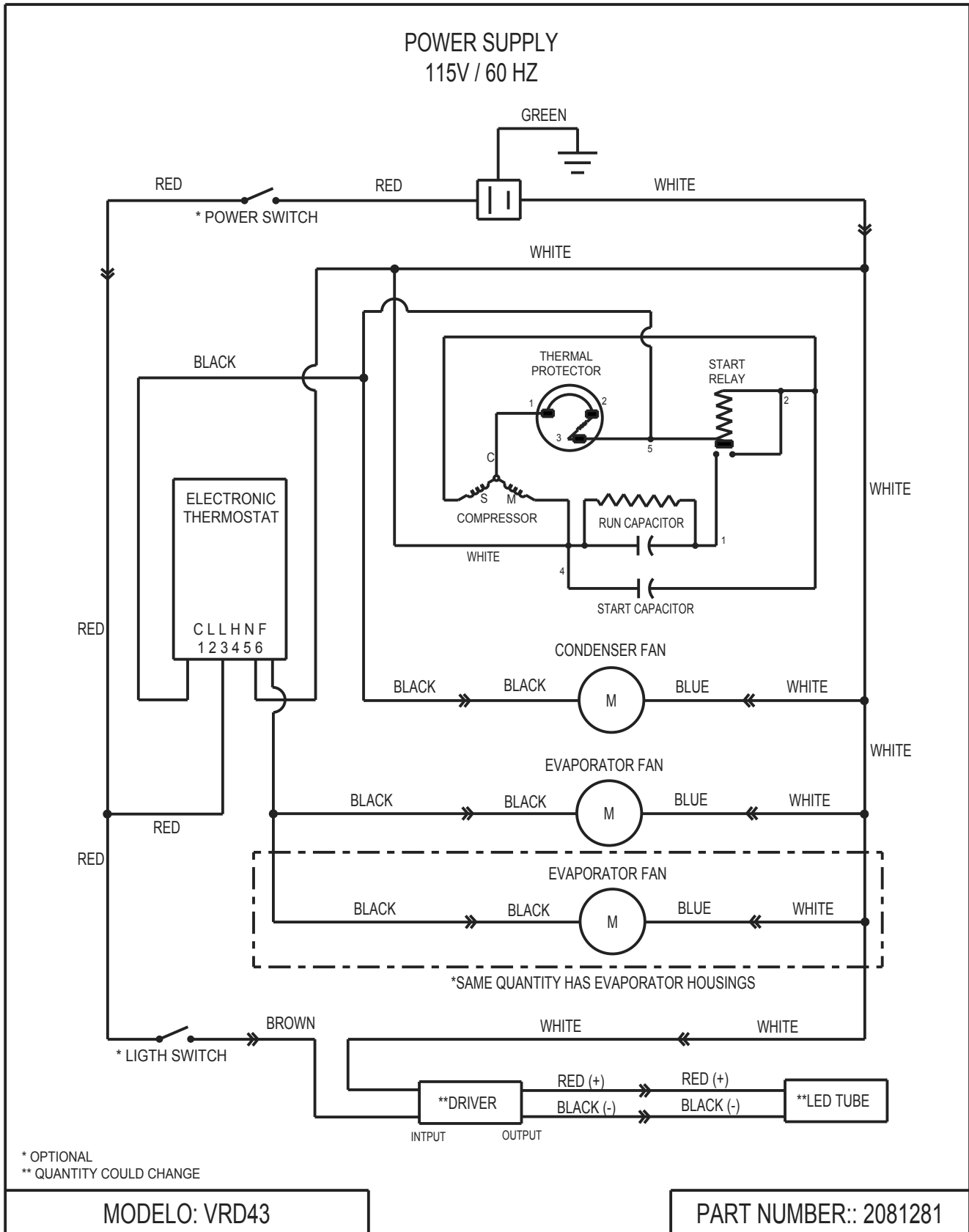
REV.00

Door

Included Models

ENF VRD37 C BMAD R2 UL LED EXP V18 FS

1020687



* OPTIONAL
** QUANTITY COULD CHANGE

REV.00

Wiring Diagram

Included Models

ENF VRD37 C BMAD R2 UL LED EXP V18 FS

1020687