

NOTE:

Wiring, Electric Booster

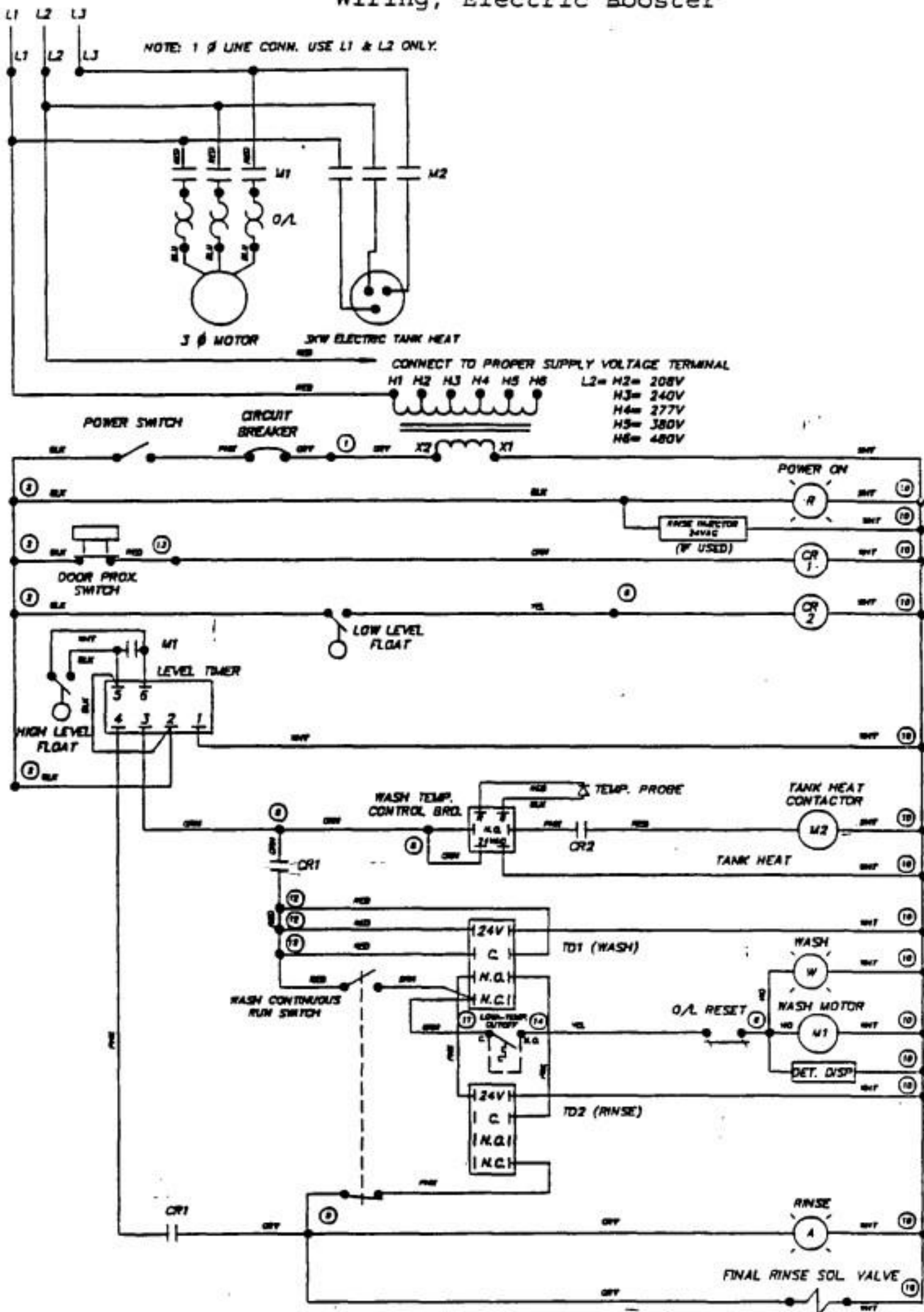
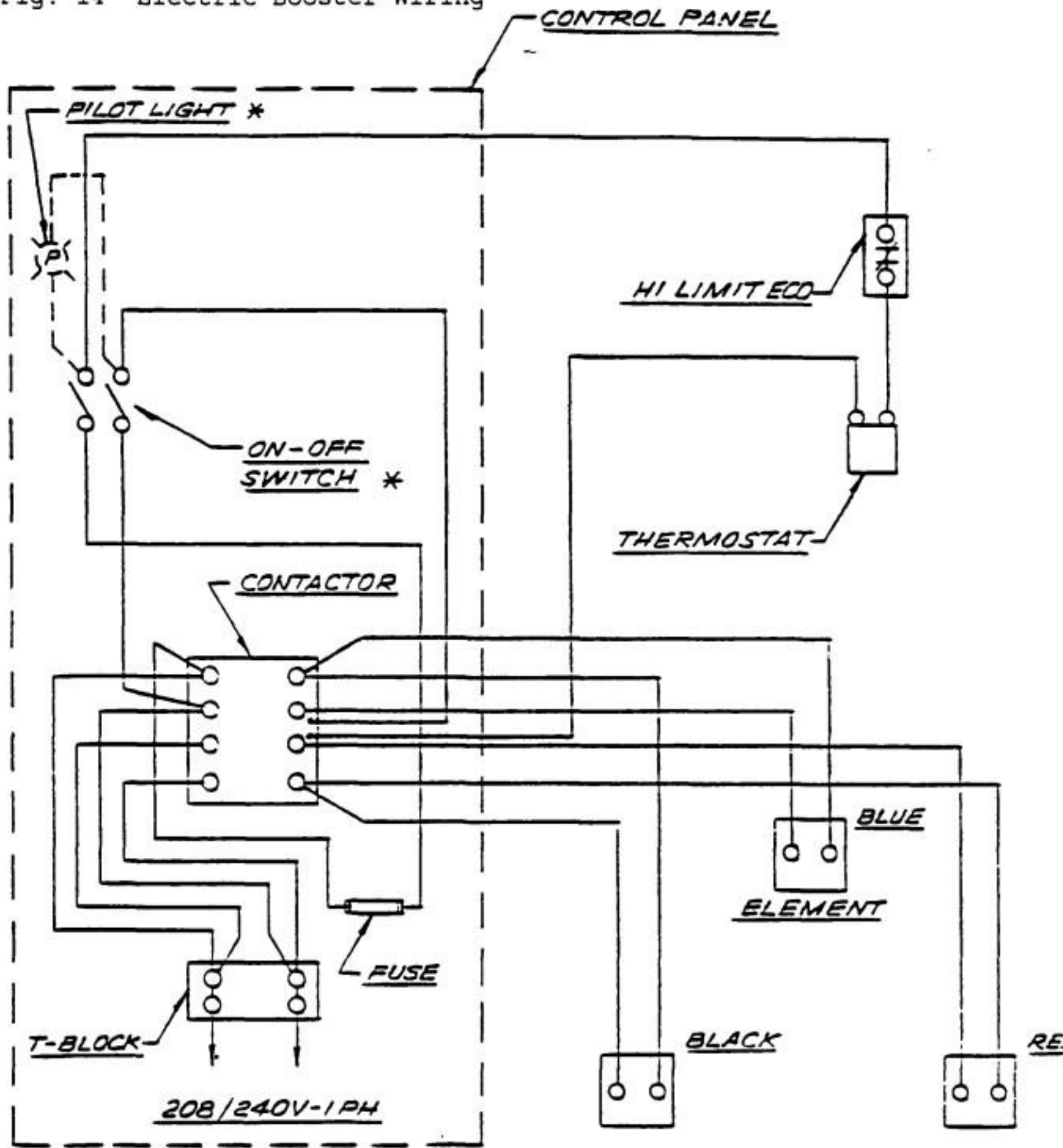


Fig. 14 Electric Booster Wiring



* CIRCUIT FOR LIGHT AND SWITCH WHEN SUPPLIED.

WIRING DIAGRAM
FOR
SMALL COMPACT BOOSTER
10.5 KW - 208/240V - 1 PH

314
INSINGER MACHINE CO.
PHILA., PA. 19135 (215) 624-4800

RAE 1.30.87