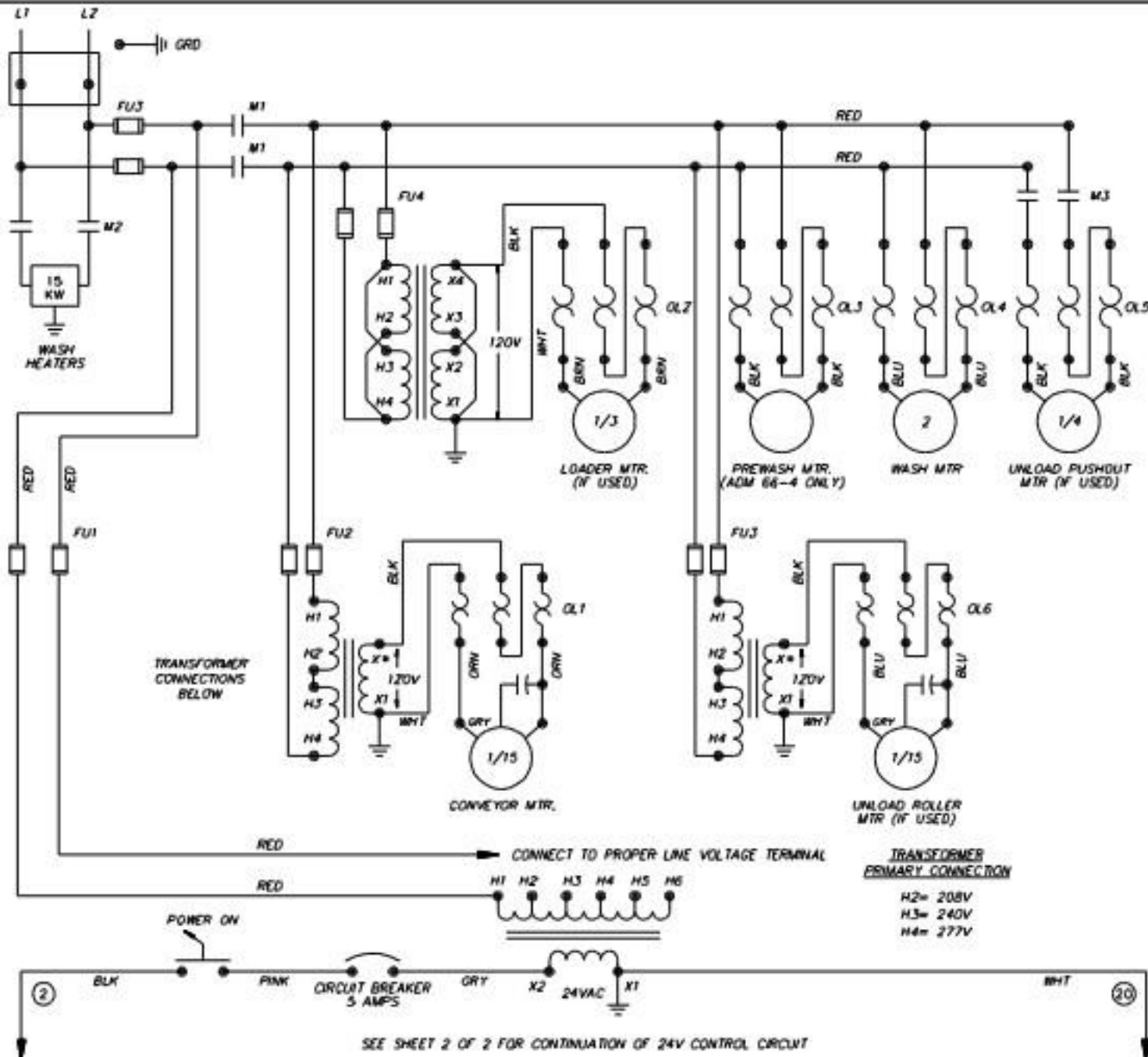


**TRANSFORMER
PRIMARY CONNECTION**

H2=	208V
H3=	240V
H4=	277V
H5=	380V
H6=	480V

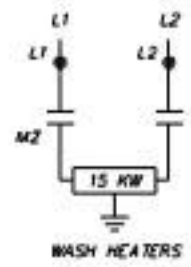


TRANSFORMER
PRIMARY CONNECTION
H2= 208V
H3= 240V
H4= 277V

CONVEYOR MOTOR TRANSFORMER CONNECTIONS				
	208 VAC	230 VAC	380 VAC	460 VAC
L1 TO	H1	H1 & H3	H1	H1
L2 TO	H2	H2 & H4	H4	H4
	-	-	-	H2 TO H3
X*	X3	X2	X3	X2

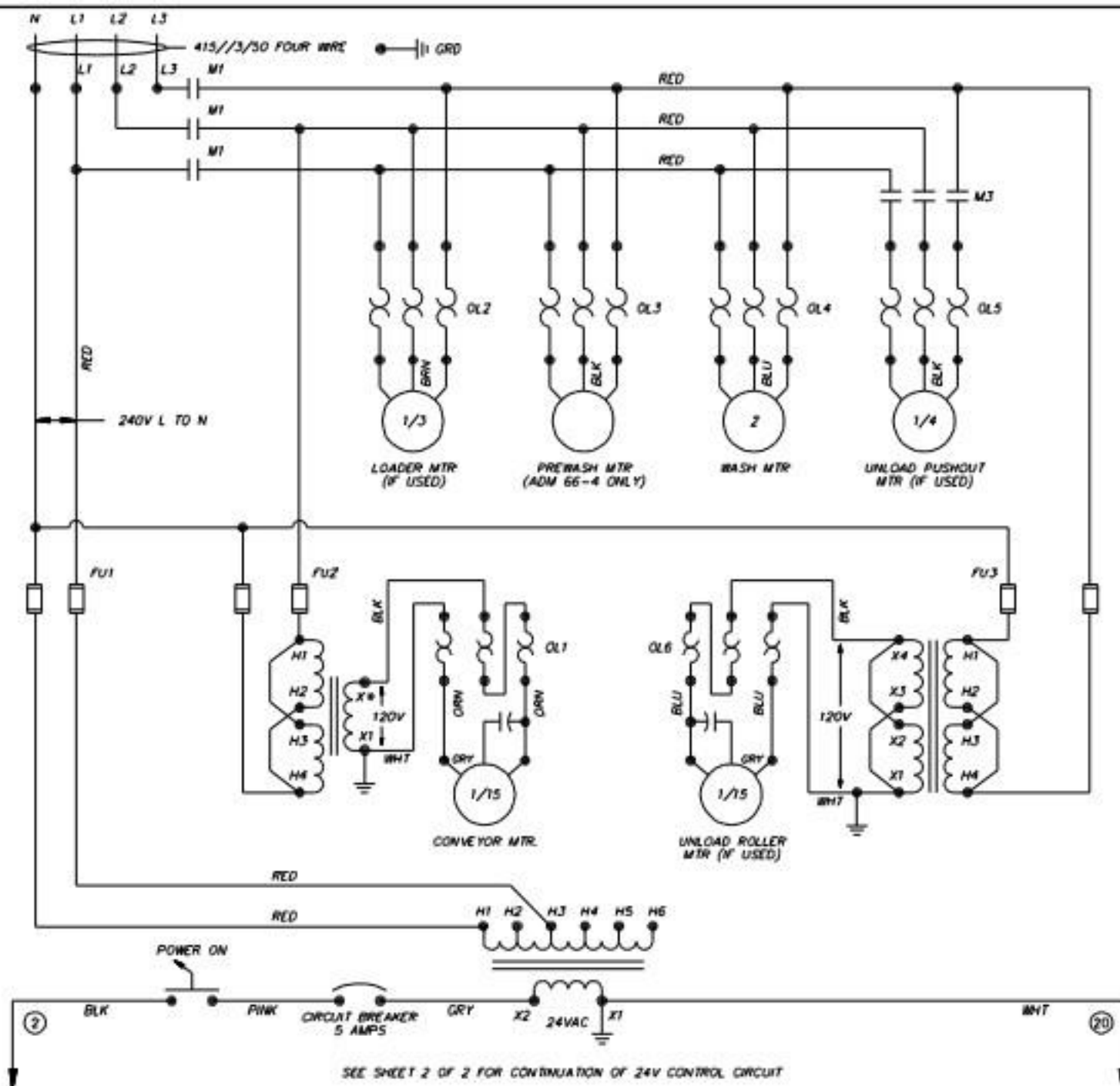
UNLOADER MOTOR TRANSFORMER CONNECTIONS				
	208 VAC	230 VAC	380 VAC	460 VAC
L1 TO	H1 & H3	H1 & H3	H1	H1
L2 TO	H2 & H4	H2 & H4	H4	H4
	-	-	-	H2 TO H3
X*	X4	X4	X4	X4
	X1 TO X3	X1 TO X3	-	X1 TO X3
	X2 TO X4	X2 TO X4	-	X2 TO X4

ALTERNATE CONFIGURATION
(ONLY WHEN SPECIFIED)
REQUIRES TWO SEPARATE
ELECTRICAL SERVICES:
1- MOTORS/CONTROLS
2- IMMERSION HEATERS



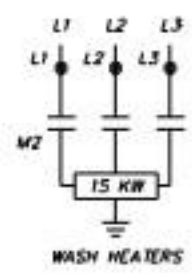
SINGLE PHASE WIRING ONLY

N	1988	7.7.03	TITLE	ADMIRAL 44, ADMIRAL 66-3	DWG. NO.	WADM020
M	1835	12.18.00		ELECT. HEAT, SINGLE PHASE		
L	1752	4.11.00				
REV	ECN NO	DATE	Insinger		Philadelphia, PA 19135	DRWN/DATE
FILE:	WIRE\WADM020		Insinger		(215) 624-4800	MFJ
					FAX (215) 624-6968	7.31.97



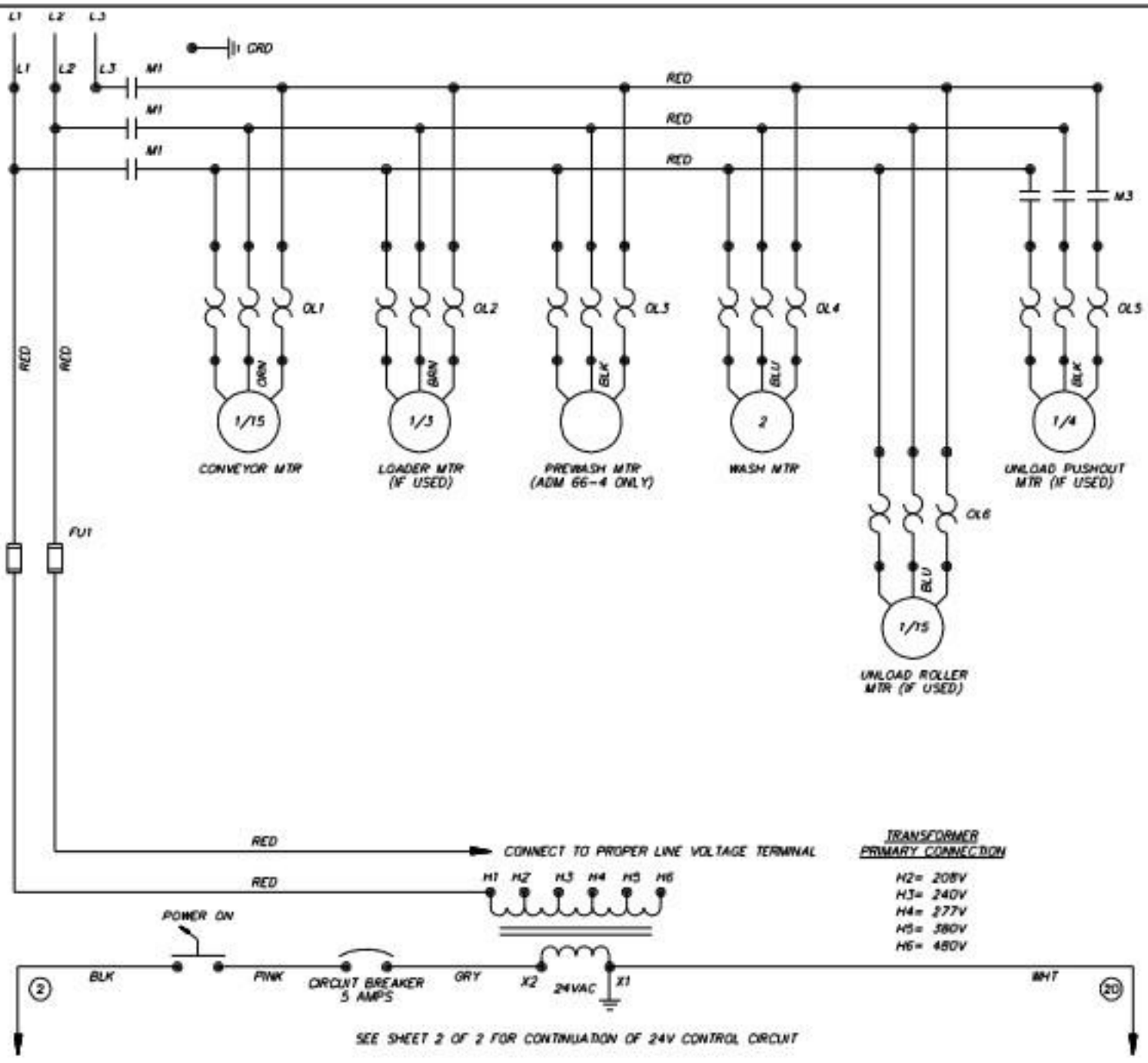
SEE SHEET 2 OF 2 FOR CONTINUATION OF 24V CONTROL CIRCUIT

NOTE:
 1. TWO SEPARATE ELECTRICAL SERVICES ARE NECESSARY:
 1- MOTORS/CONTROLS
 2- IMMERSION HEATERS



415/3/50 WIRING ONLY

N	1988	2.7.03	TITLE	ADMIRAL 44, ADMIRAL 66-3	DWG. NO.	WADM020
M	1835	12.18.00		ELECTRIC HEAT		
L	1752	4.11.00				
REV	ECN NO	DATE			DRWN/DATE	RAF
					04.20.95	

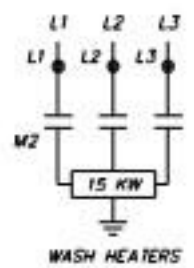


**TRANSFORMER
PRIMARY CONNECTION**

H2= 208V
H3= 240V
H4= 277V
H5= 380V
H6= 480V

SEE SHEET 2 OF 2 FOR CONTINUATION OF 24V CONTROL CIRCUIT

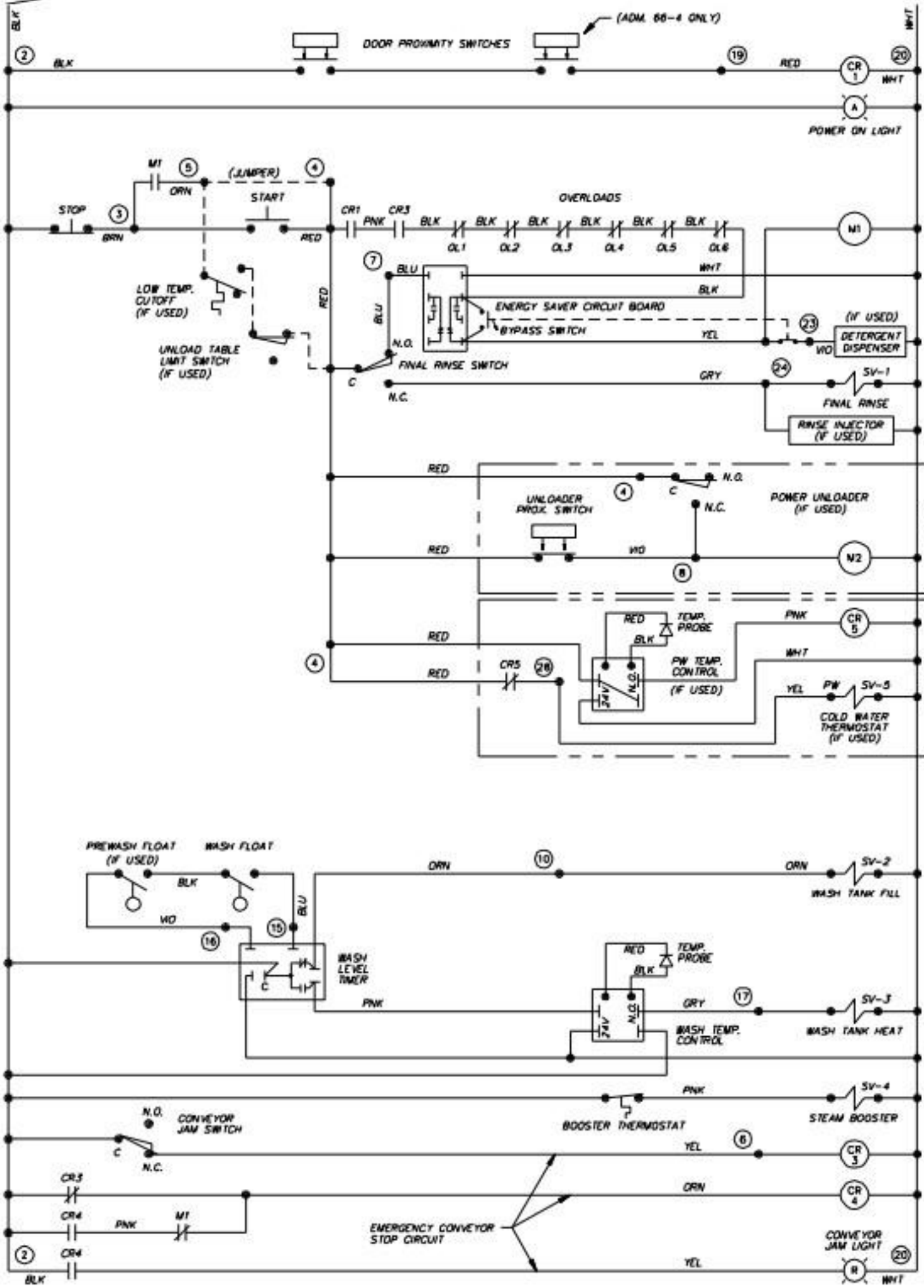
NOTE:
1. TWO SEPARATE ELECTRICAL SERVICES ARE NECESSARY:
1- MOTORS/CONTROLS
2- IMMERSION HEATERS



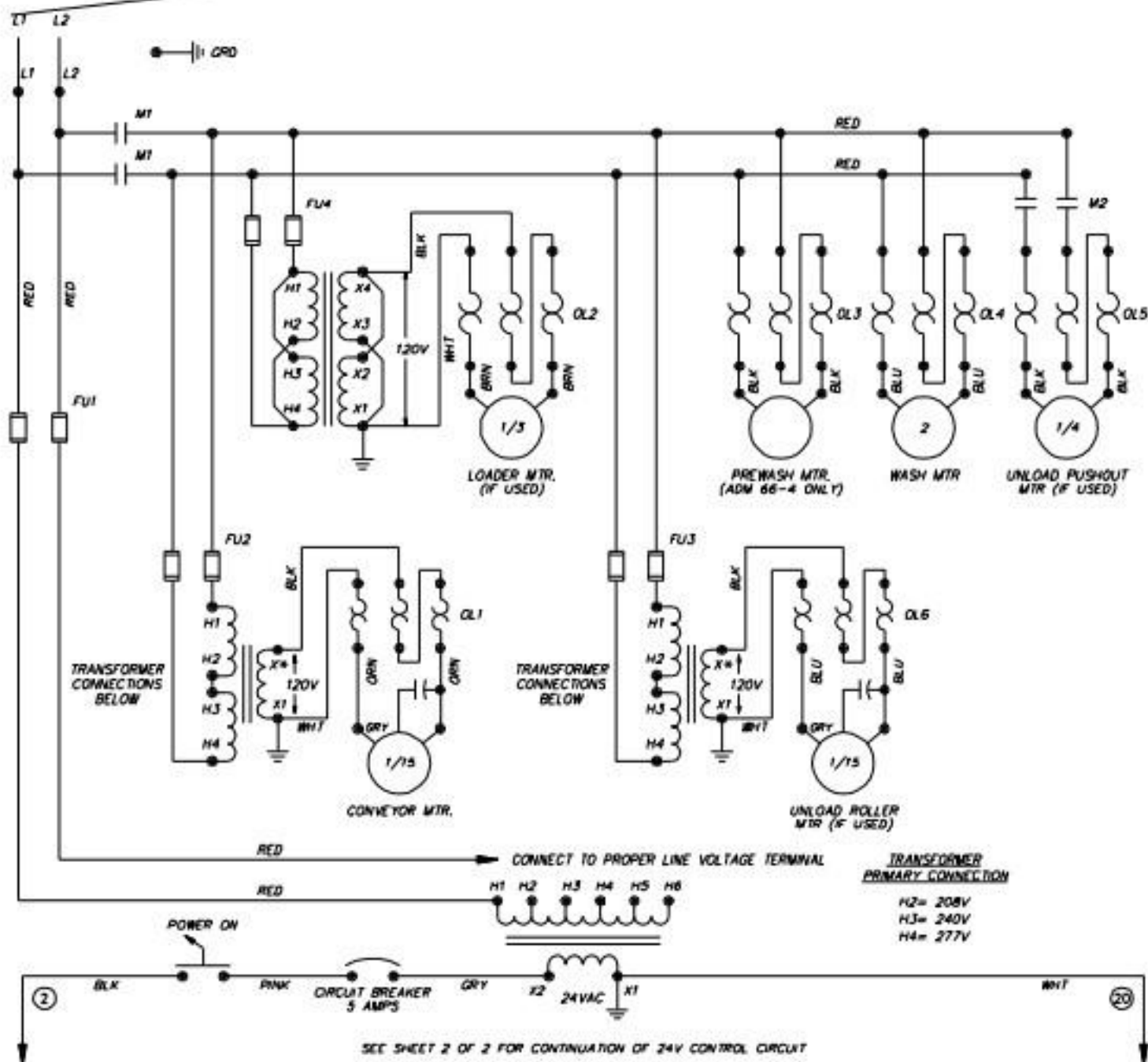
SEE SHT 1B FOR 415/3/50 WIRING
SEE SHT 1C FOR SINGLE PHASE WIRING
SEE SHT 1D FOR 3 PHASE, SINGLE PT CONNECTION

N	1988	2.7.03	TITLE ADMIRAL 44, ADMIRAL 66-3 ELECTRIC HEAT	DWG. NO. WADM020
M	1835	12.18.00		
L	1752	4.71.00		
REV	ECN NO	DATE	Philadelphia, PA 19135 (215) 624-4800 FAX (215) 624-6966	DRWN/DATE RAF 04.20.95
FILE: WIRE\WADM020				





P	1752	4.11.00	TITLE ADMIRAL 44-4, ADMIRAL 66-4 STEAM HEAT	DWG. NO. WADM010
N	1701	8.12.99		
M	1583	12.1.97		
REV	ECN NO	DATE	Philadelphia, PA 19135 (215) 624-4800 FAX (215) 624-6966	DRWN/DATE
FILE:	WIRE\WADM010			RAF



CONNECT TO PROPER LINE VOLTAGE TERMINAL

TRANSFORMER PRIMARY CONNECTION
 H2= 208V
 H3= 240V
 H4= 277V

SEE SHEET 2 OF 2 FOR CONTINUATION OF 24V CONTROL CIRCUIT

	CONVEYOR MOTOR TRANSFORMER CONNECTIONS			
	208 VAC	230 VAC	380 VAC	480 VAC
L1 TO	H1	H1 & H3	H1	H1
L2 TO	H2	H2 & H4	H4	H4
	-	-	-	H2 TO H3
X*	X3	X2	X3	X2

	UNLOADER MOTOR TRANSFORMER CONNECTIONS			
	208 VAC	230 VAC	380 VAC	480 VAC
L1 TO	H1 & H3	H1 & H3	H1	H1
L2 TO	H2 & H4	H2 & H4	H4	H4
	-	-	-	H2 TO H3
X*	X4	X4	X4	X4
	X1 TO X3	X1 TO X3	-	X1 TO X3
	X2 TO X4	X2 TO X4	-	X2 TO X4

SINGLE PHASE WIRING ONLY

P	1752	4.11.00	TITLE ADMIRAL 44-4, ADMIRAL 66-4 STEAM HEAT, SINGLE PHASE	DWG. NO. WADM010
N	1701	8.12.99		
REV	ECH NO	DATE	Philadelphia, PA 19135 (215) 624-4800 FAX (215) 624-6966	DRWN/DATE
				MFJ

