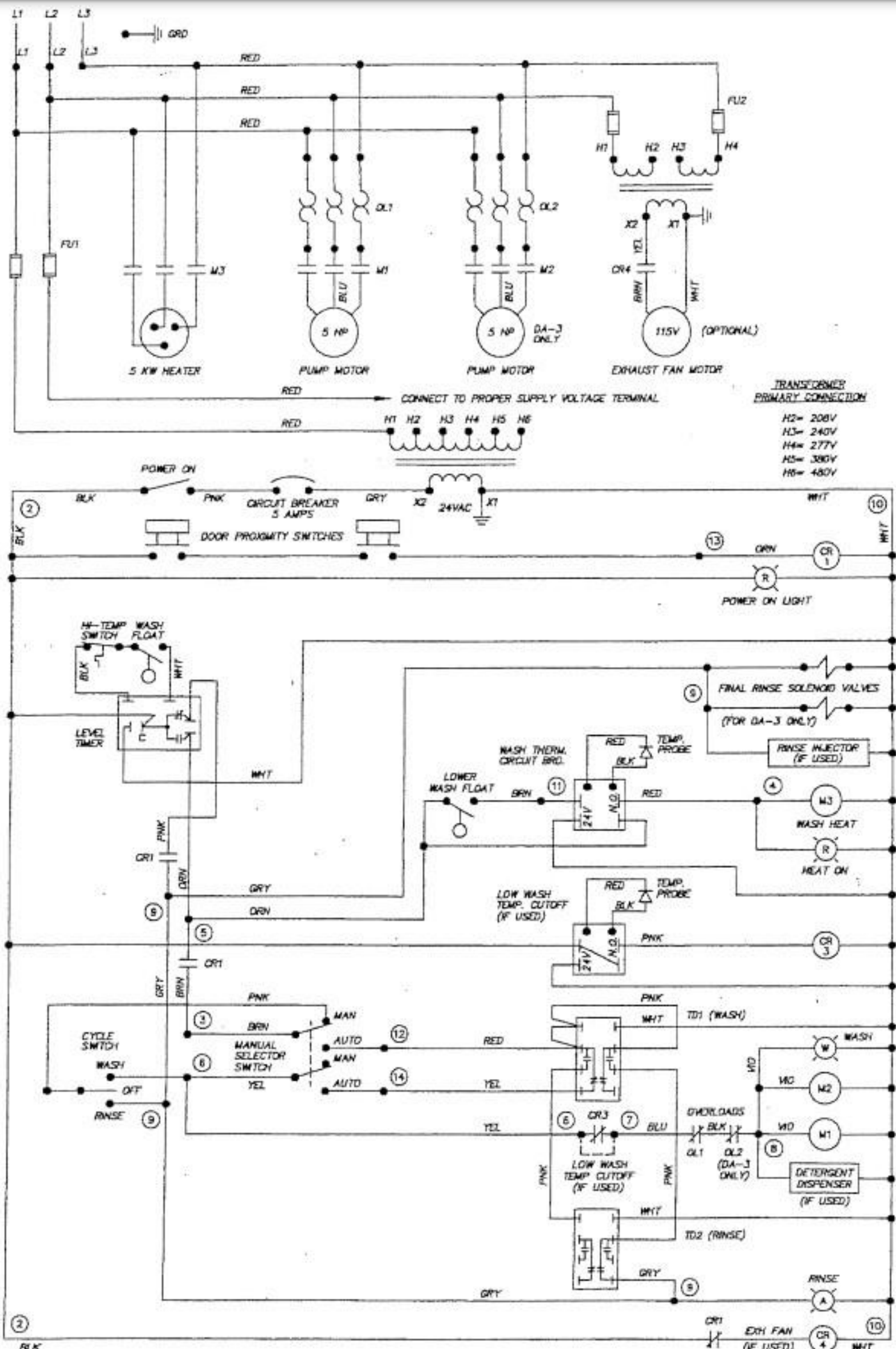


NOTES:
 1. IF NO LOW TEMP CUTOFF IS SPECIFIED, A JUMPER IS PROVIDED BETWEEN TERMINALS 6 & 7.

			TITLE	CA-3, DA-3 STEAM HEAT	DWG. NO.	WPW010
P	1583	12.1.97	REV	EDN NO	DATE	
FILE:	MRE\WPW010		Insinger Machine Company		Philadelphia, PA 19135 (215) 624-4800 FAX (215) 624-6965	DRWN/DATE RAF 06.25.95



NOTES:
 1. IF NO LOW TEMP CUTOFF IS SPECIFIED, A JUMPER IS PROVIDED BETWEEN TERMINALS 5 & 7.

REV	EDN NO	DATE	TITLE	DWG. NO.
R	1988	7.7.03	CA-3, DA-3 ELECTRIC HEAT	WPW020
Q	1824	11.13.00		
FILE: WIRE\WPW020			Philadelphia, PA 19135 (215) 624-4800 FAX (215) 624-8988	DRAWN/DATE RAF 05.21.05