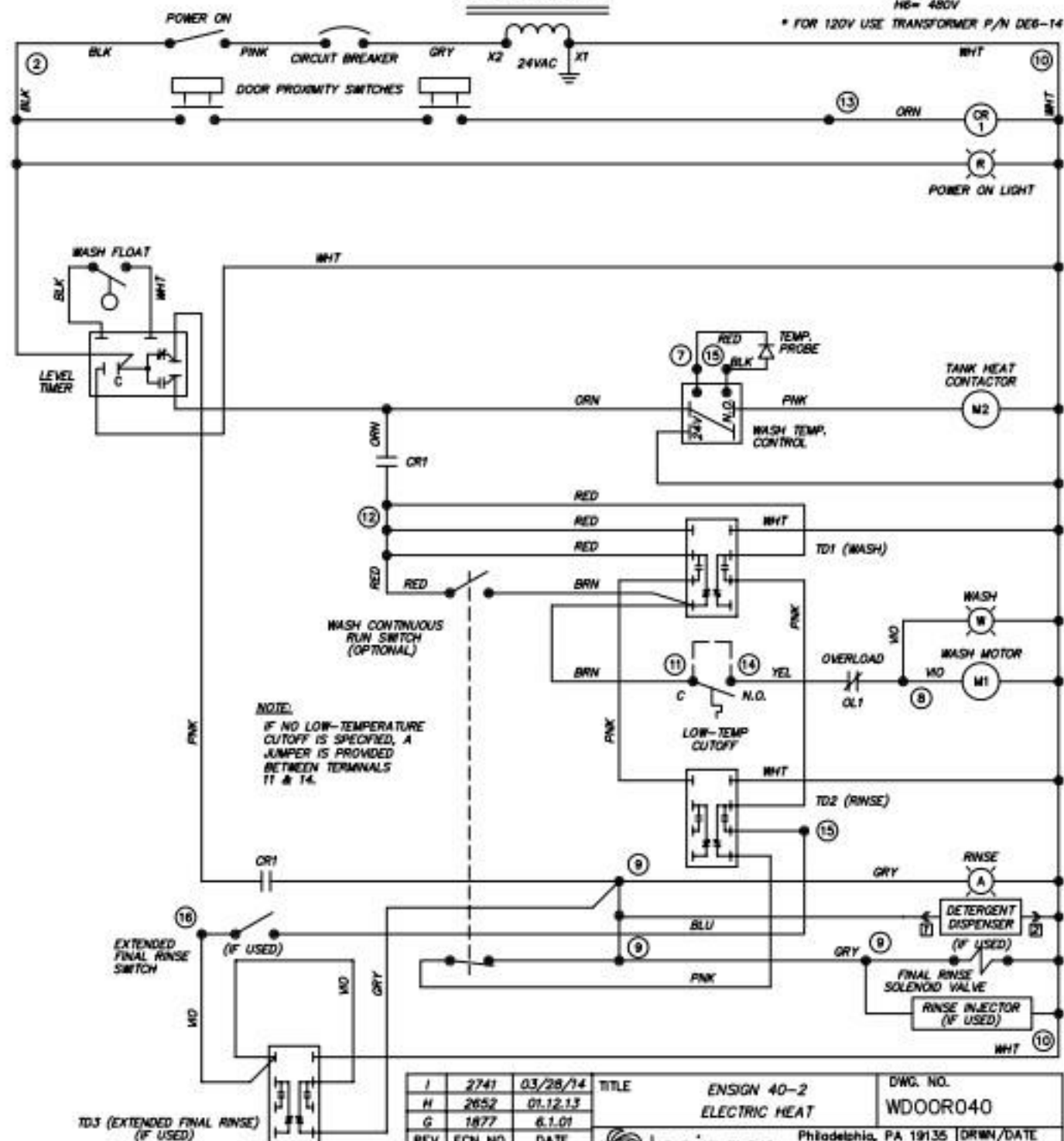


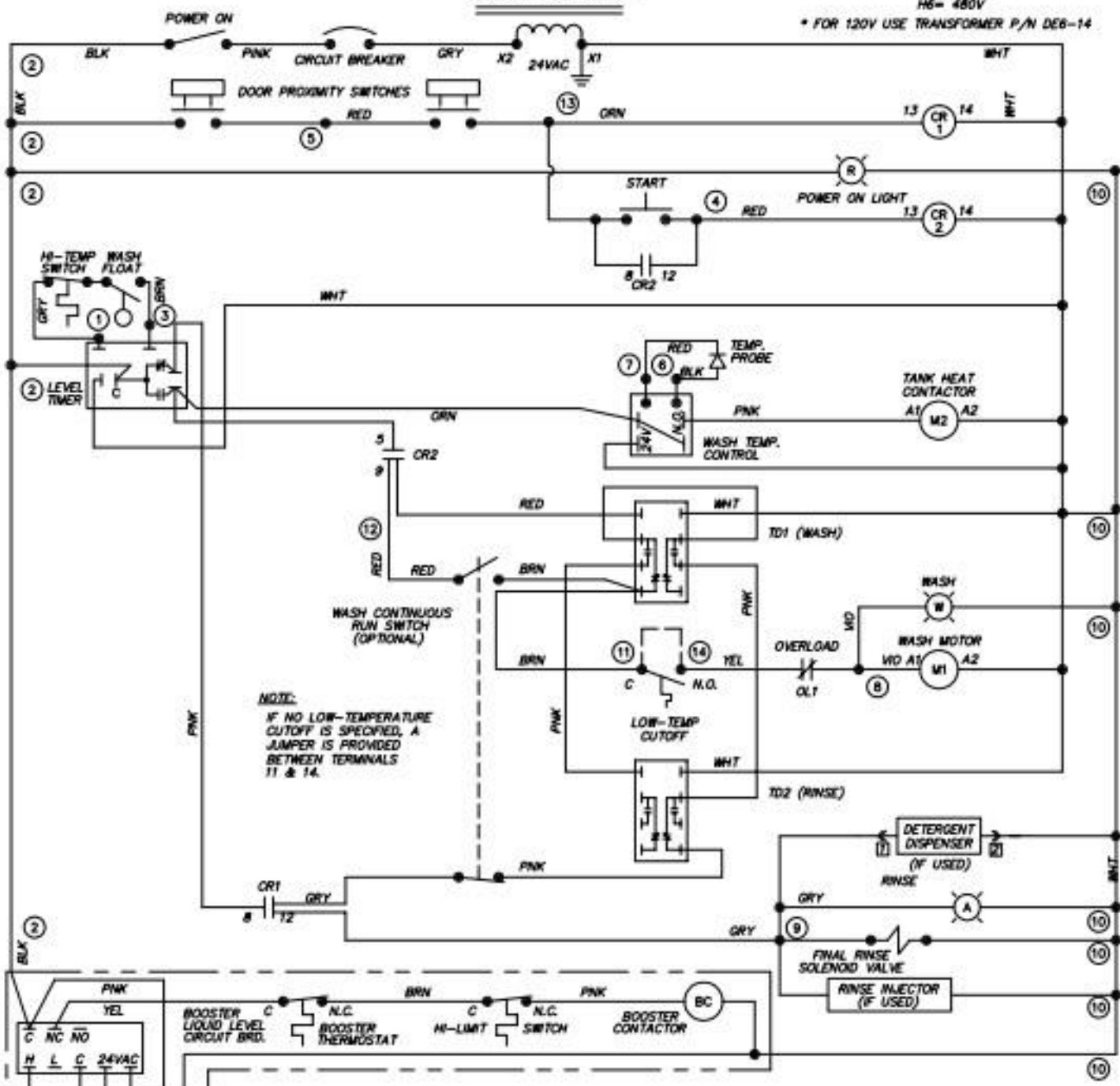
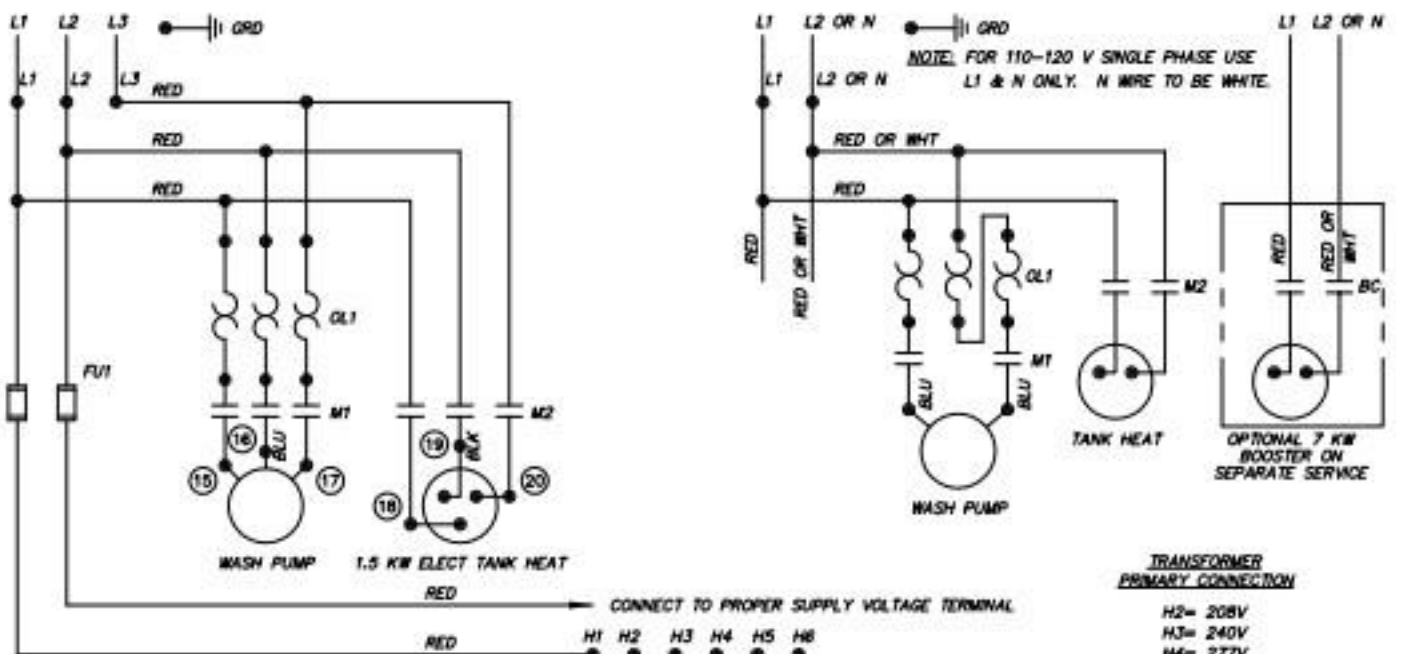
**TRANSFORMER
PRIMARY CONNECTION**

H2= 208V
 H3= 240V
 H4= 277V
 H5= 380V
 H6= 480V

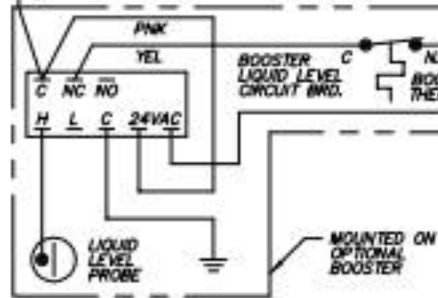
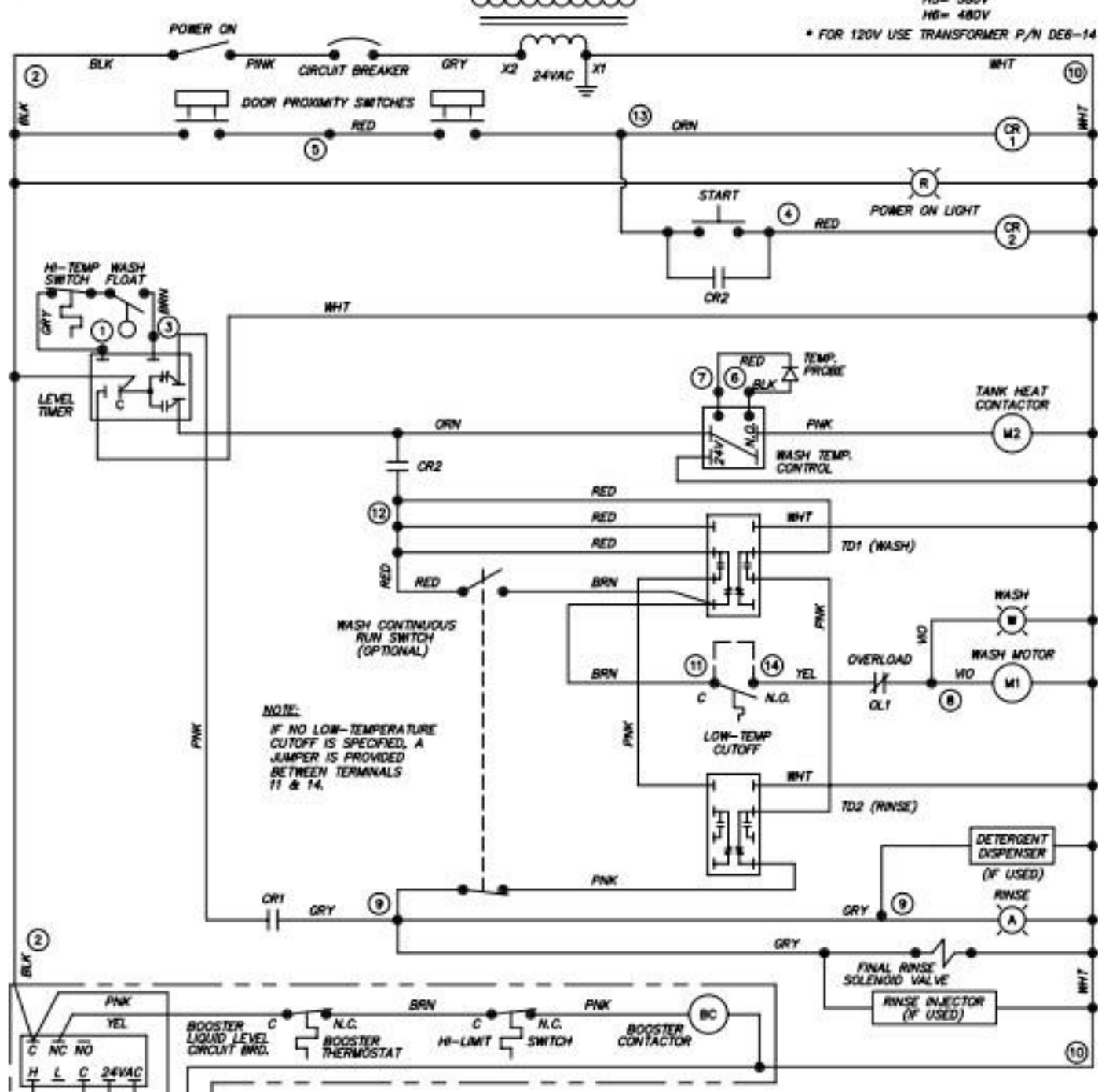
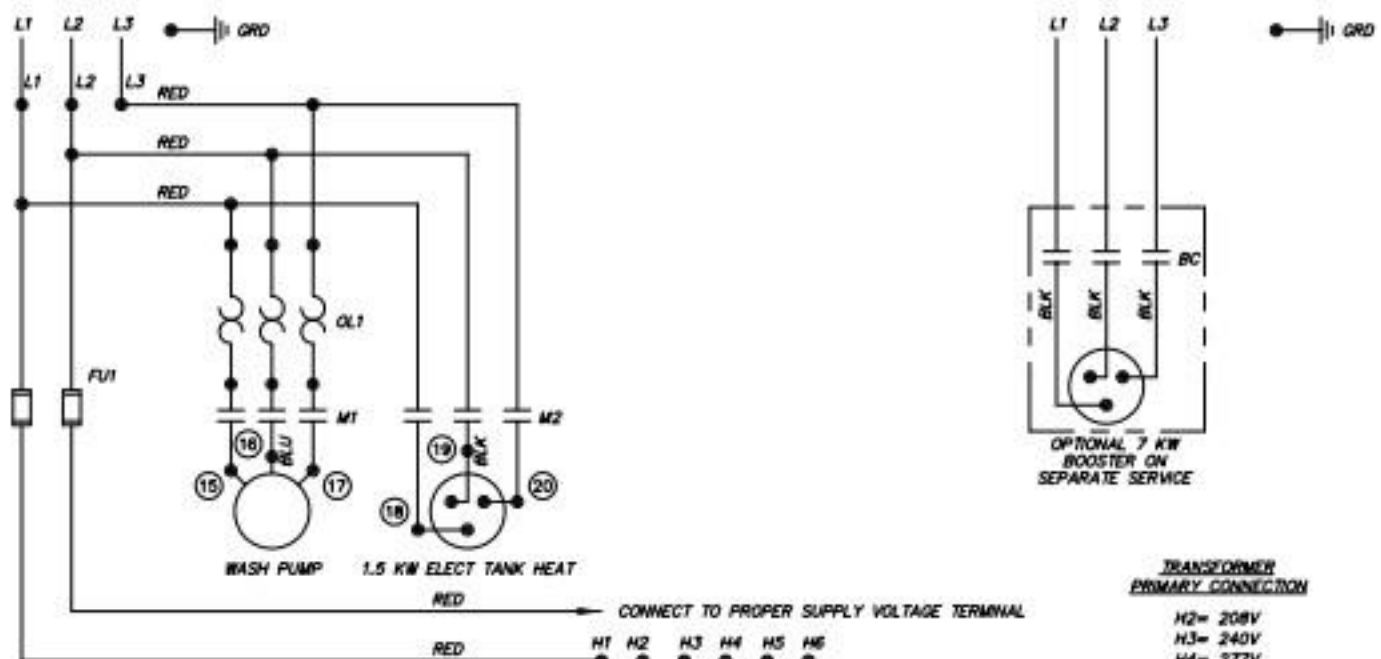
* FOR 120V USE TRANSFORMER P/N DE6-14



I	2741	03/28/14	TITLE	ENSGN 40-2	DWG. NO.
H	2652	01.12.13		ELECTRIC HEAT	WDOOR040
G	1877	6.1.01			
REV	ECN NO	DATE	Insinger		Philadelphia, PA 19135
FILE: WIRE\WDOOR040					(215) 624-4800
					DRWN/DATE
					RAF
					04.14.95



F	2741	03/28/14	TITLE	ENSIGN 40-2	DWG. NO.	WDOOR041
E	XXX	02/24/14	ELECTRIC HEAT, REMOTE START		DRWN/DATE	
D	XXX	06.25.13			MFJ	
REV	ECN NO	DATE	Insinger		Philadelphia, PA 19135 (215) 624-4800 FAX (215) 624-6966	
FILE: WIRE\WDOOR041			3.26.01			



TITLE			ENSIGN 40-2 ELEC HEAT		DWG. NO.	
A			J-3 PH SCB, REMOTE START		WDOOR042	
REV	ECH NO	DATE				
FILE:	WIRE\WDOOR042					
Insinger			Philadelphia, PA 19135		DRWN/DATE	
			(215) 624-4800		CES	
			FAX (215) 624-6966		1.19.04	