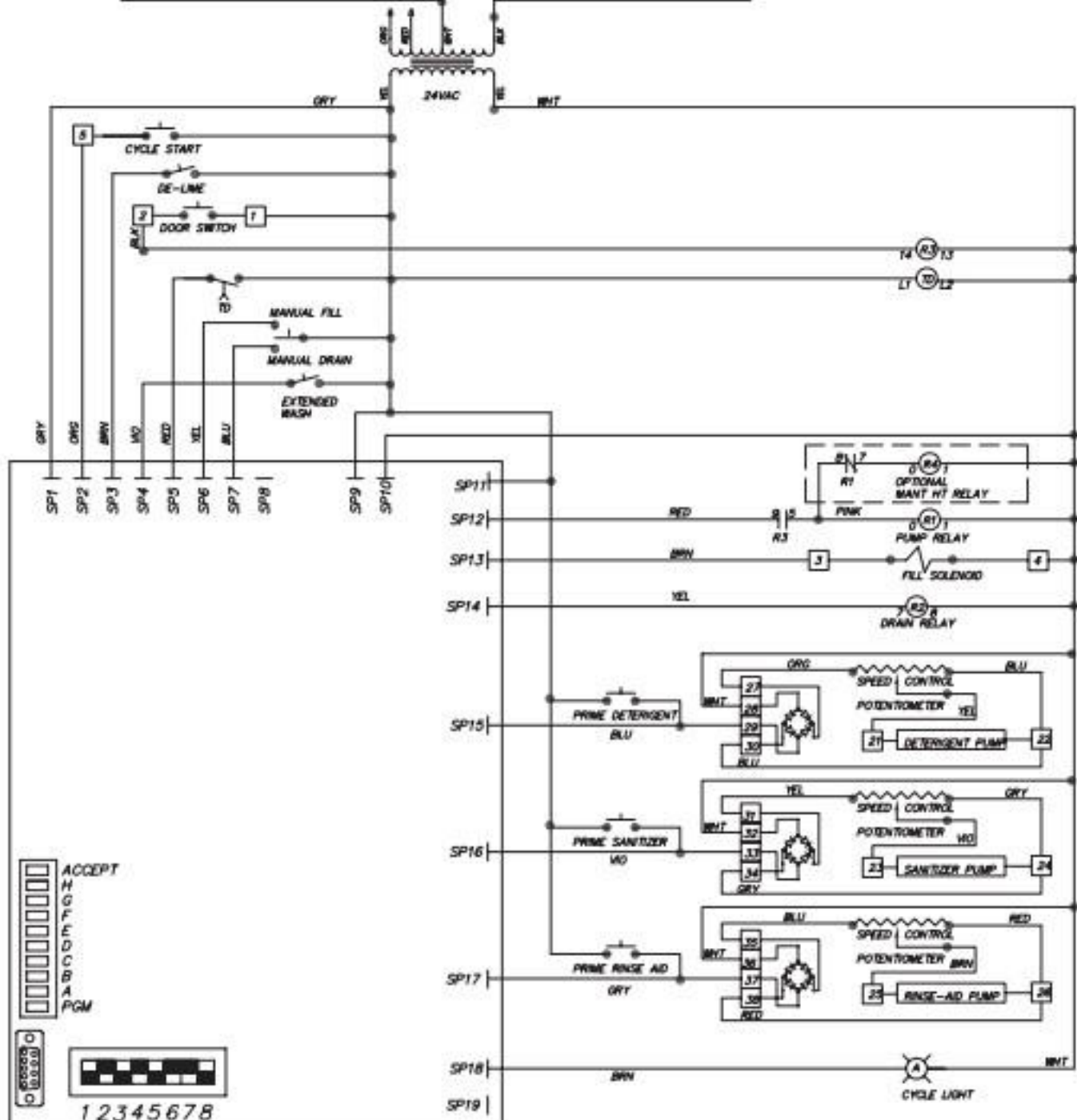
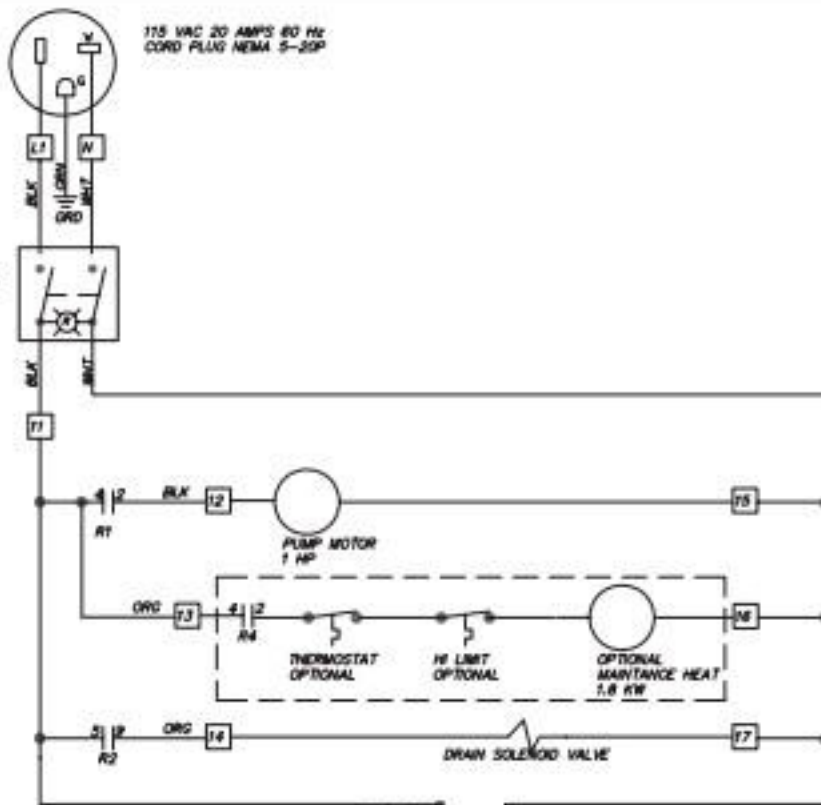
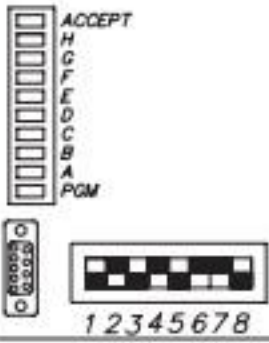
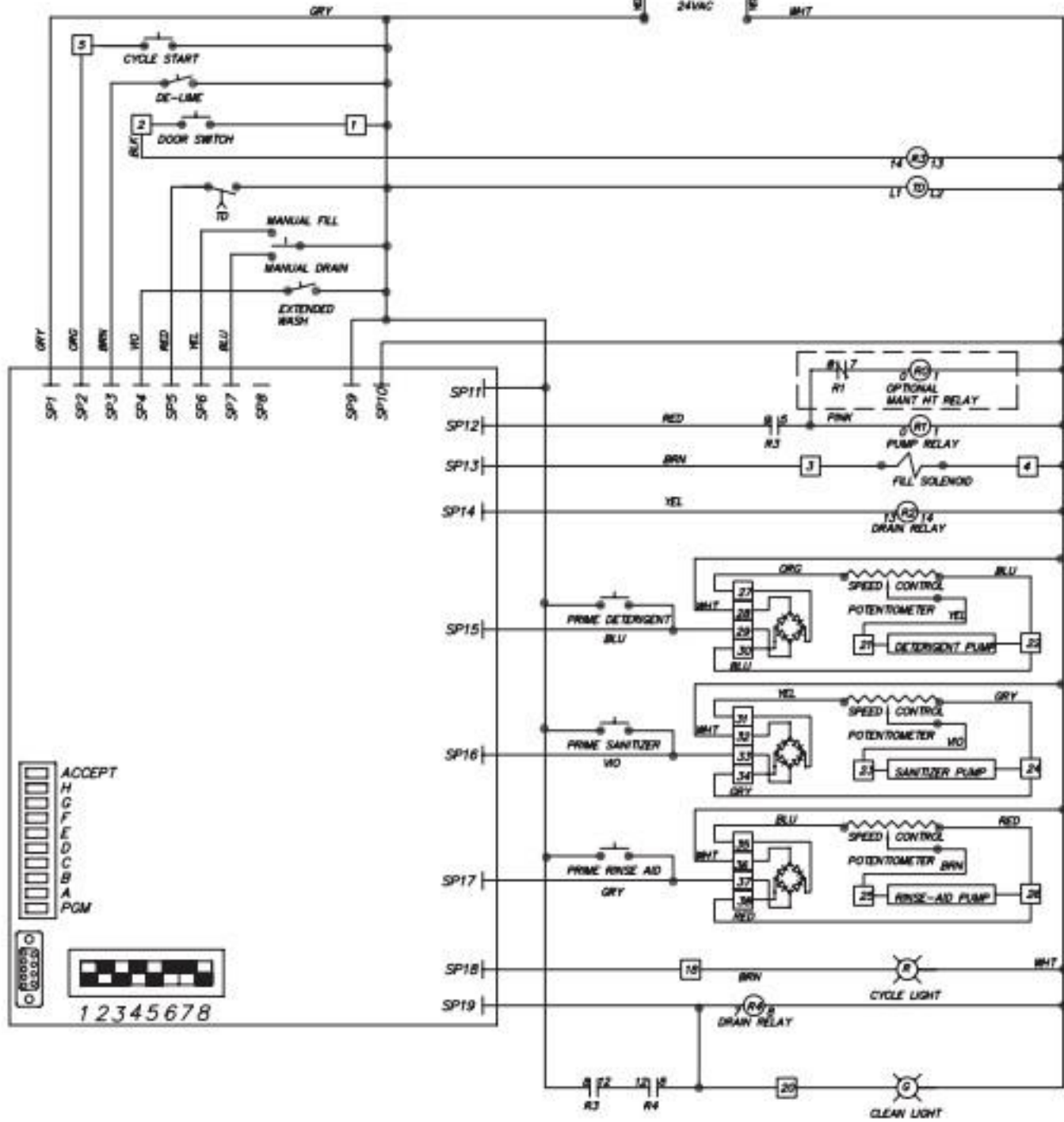
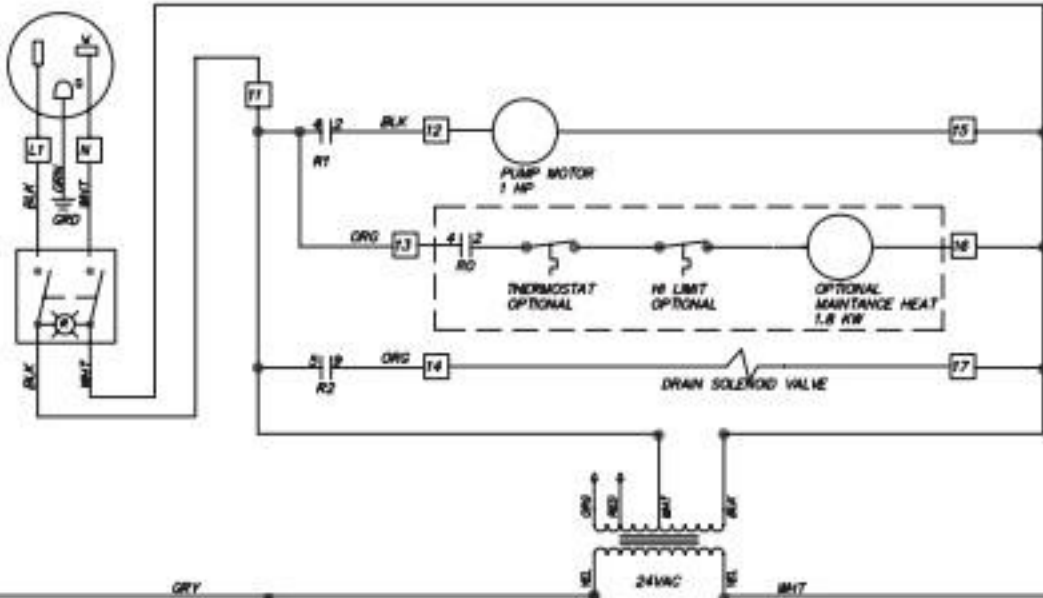


115 VAC 20 AMPS 60 Hz
CORD PLUG NEMA 5-20P



115 VAC 20 AMPS 60 HZ
CORD PLUG NEMA 5-20P

ON/OFF SWITCH
WITH LIGHT 20 AMP

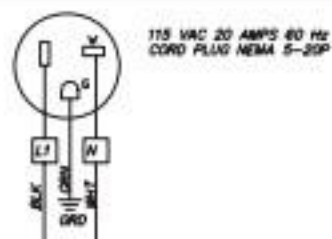


F	02/10/09	TITLE	GLASSBASHER ELECTRIC HEAT	DWL NO.	WCLASS011
E	09/26/08				
D	05/30/08				
C	04/30/08				
REV	EDN NO.	DATE			
FILE	MM\				

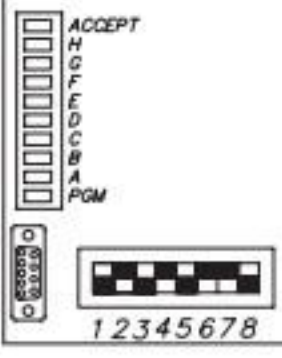
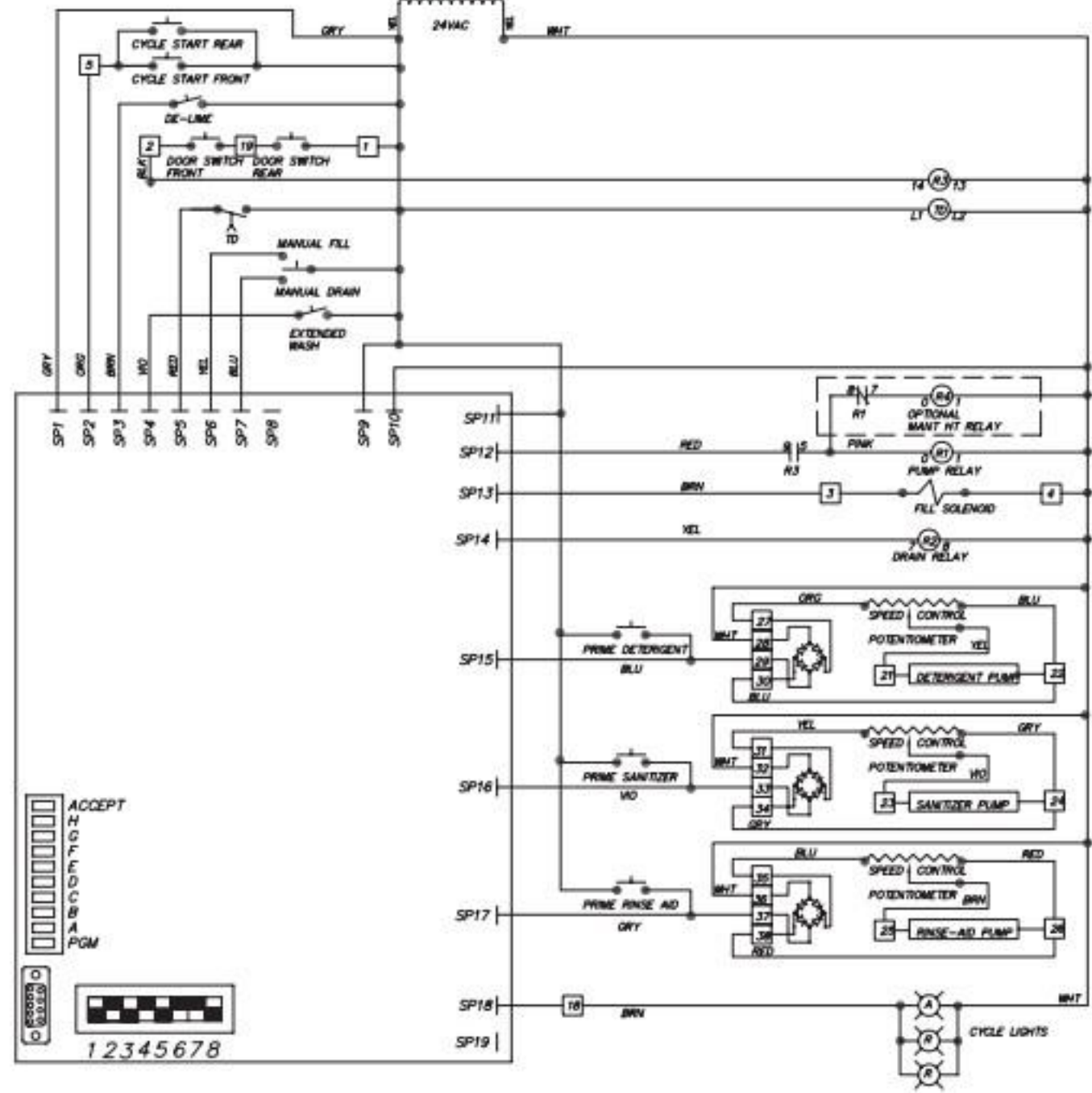
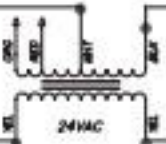
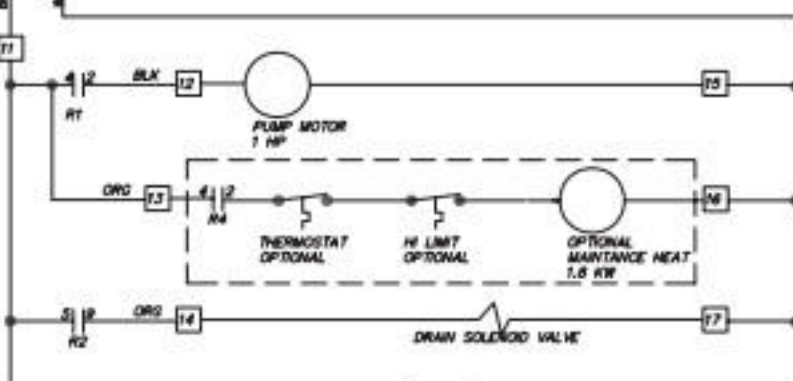
WITH OPTIONAL CLEAN LIGHT

Philadelphia, PA 19135
(315) 634-4800
FAX (215) 632-8958

INSINGER
JAB
08/15/07



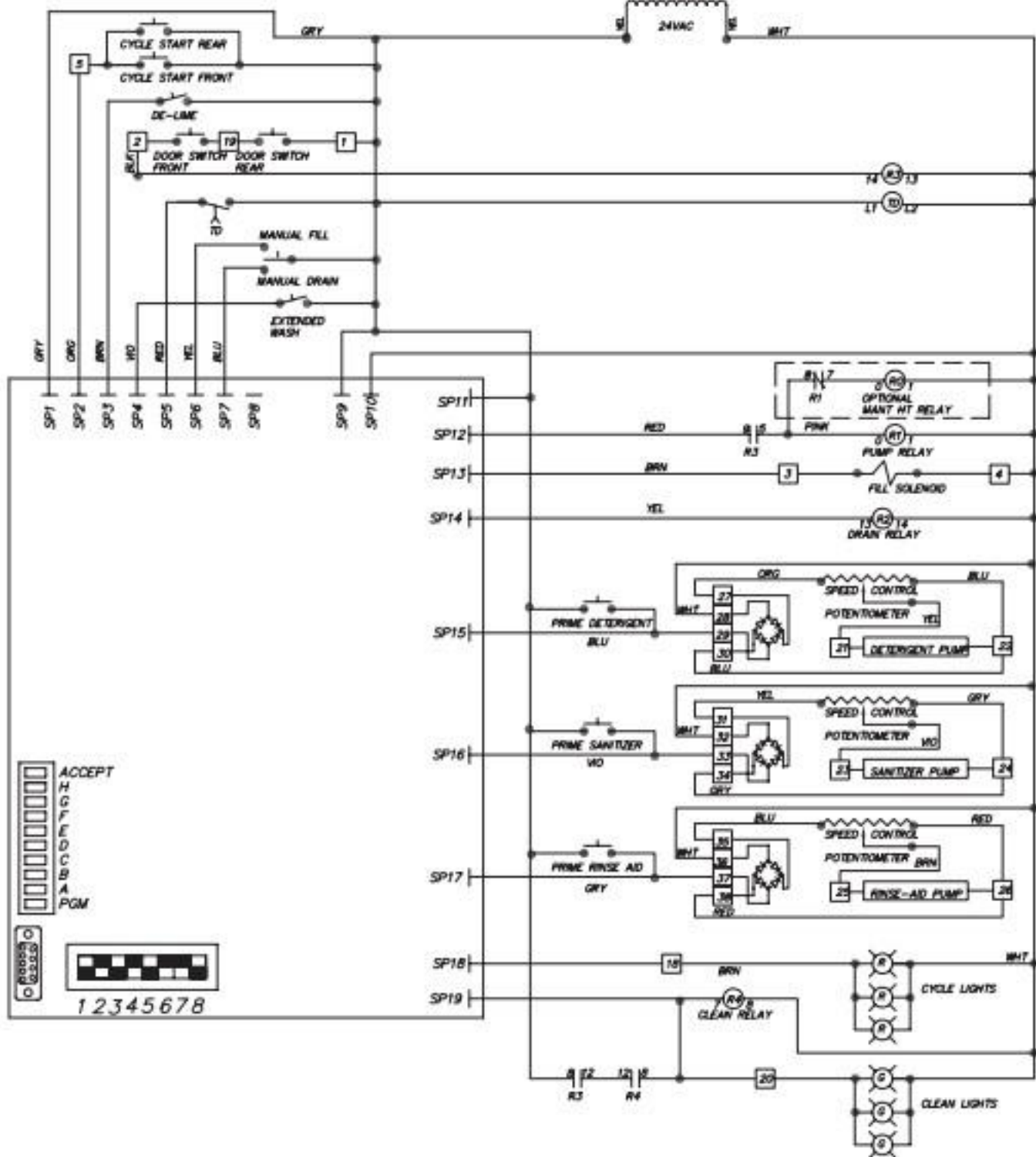
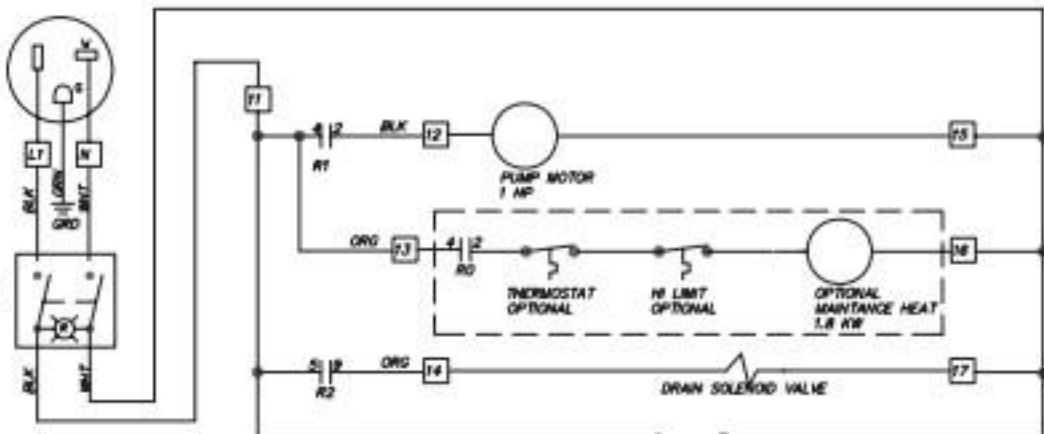
ON/OFF SWITCH WITH LIGHT 20 AMP



REV	01/28/29	TITLE	GLASSWASHER DOUBLE DOOR	DWG. NO.	
A	11/24/08		ELECTRIC HEAT	WGLASSD010	
REV	EDR HO	DATE		INSINGER	PHILADELPHIA, PA 19106
FILE	WPM1				(215) 624-4800
					FAX (215) 624-8988
					11/24/08

115 VAC 20 AMPS 60 Hz
CORD PLUG NEMA 5-20P

ON/OFF SWITCH
W/TH LIGHT 20 AMP



WITH OPTIONAL CLEAN LIGHT

C	02.10.09	TITLE	GLASSWASHER DOUBLE DOOR	DWG. NO.	WGLASS0011
B	01.28.09		ELECTRIC HEAT		
A	11.24.08				
REV	EDN. NO.	DATE	INSINGER	PHILADELPHIA, PA. 19135	SRW/DAE
FILE	IMP1			(315) 634-4800	AP
				FAX (215) 824-8986	11.24.08