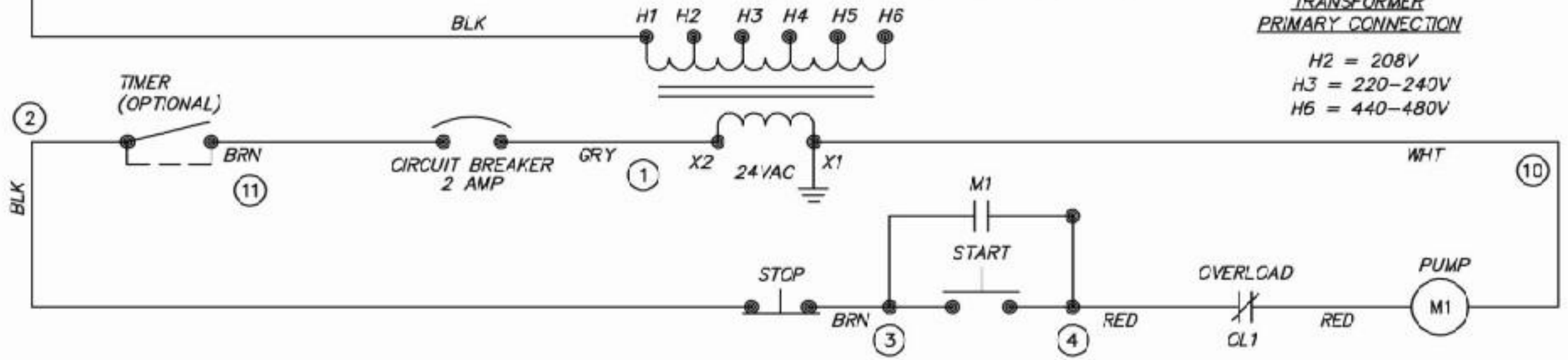


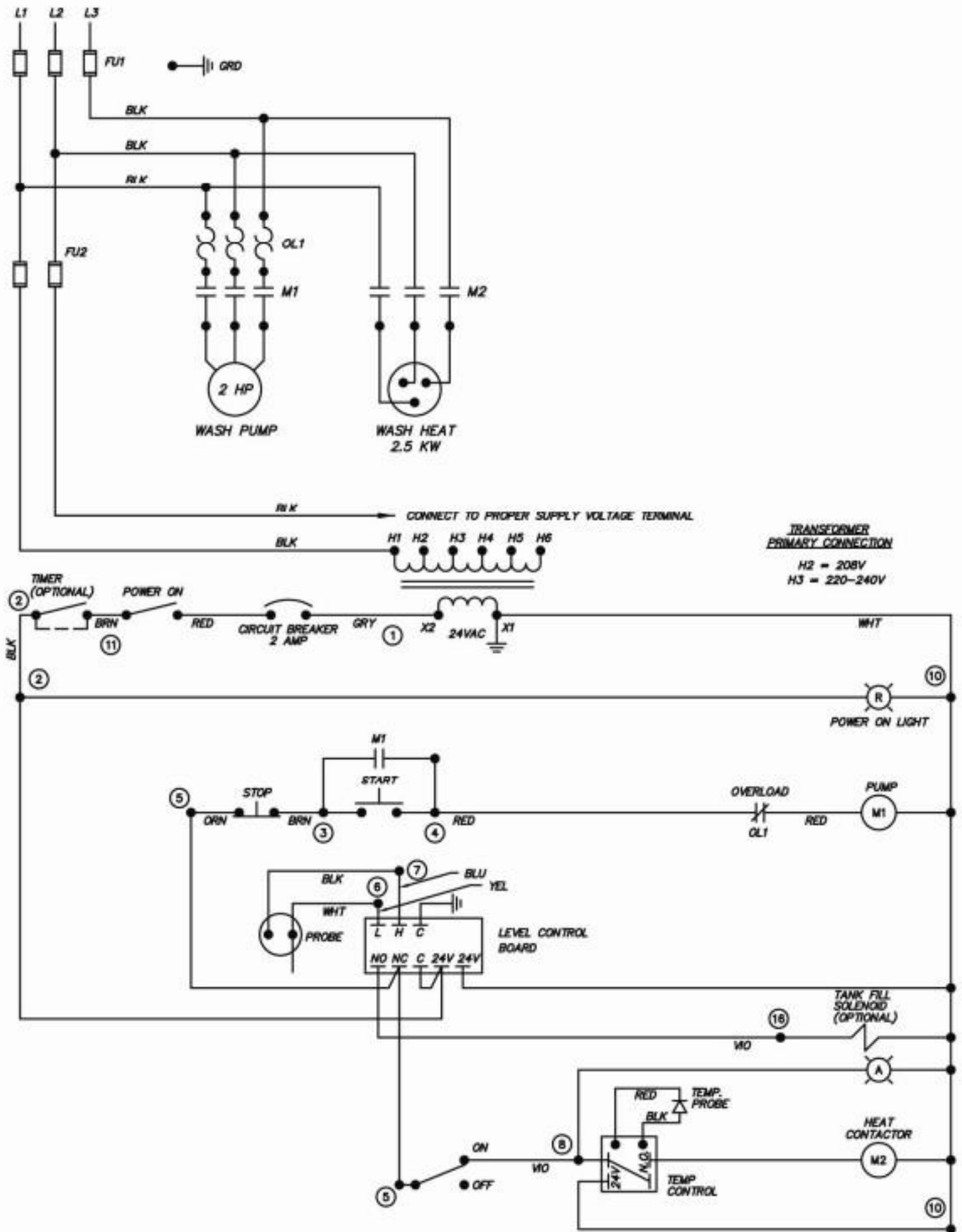
CONNECT TO PROPER SUPPLY VOLTAGE TERMINAL

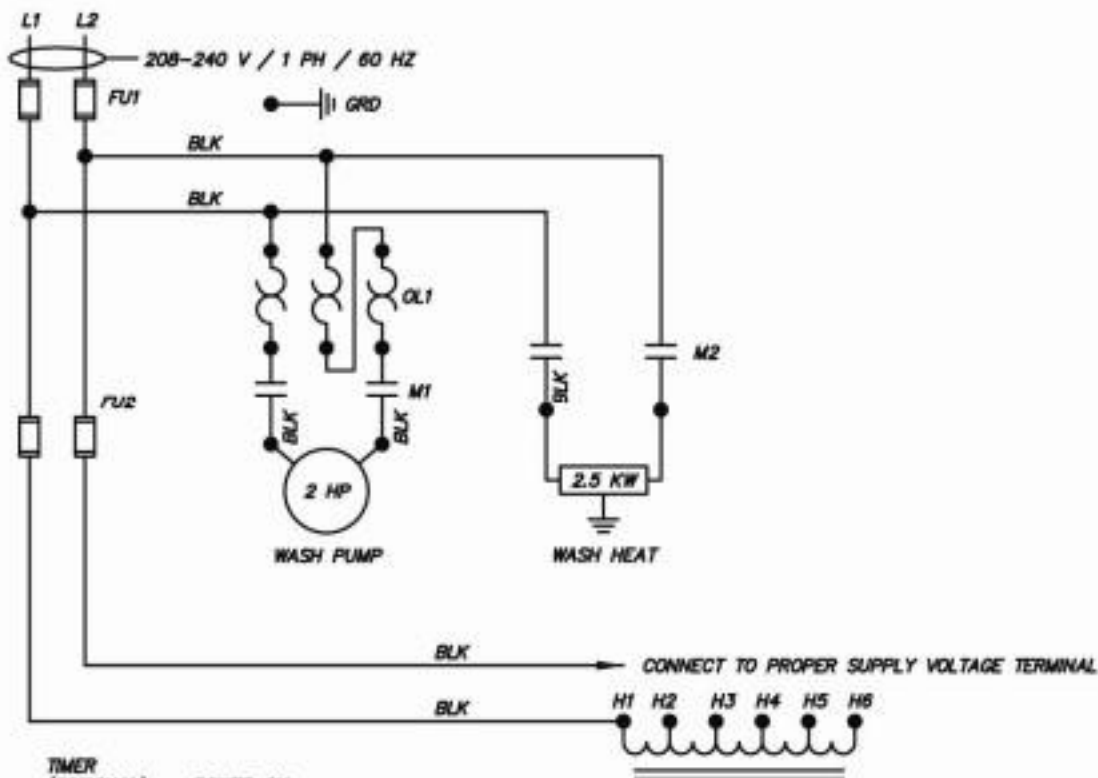
TRANSFORMER
PRIMARY CONNECTION

- H2 = 208V
- H3 = 220-240V
- H6 = 440-480V



			TITLE	WIRING SCHEMATIC AQUASCRUBBER (BASIC)	DWG. NO.	SK-4534
REV	ECN NO	DATE	 Insinger Machine Company		Philadelphia, PA 19135 (215) 624-4800 FAX (215) 624-6966	DRWN/DATE MFJ 12.7.01
FILE: SKETCHA \ SK-4534						





**TRANSFORMER
PRIMARY CONNECTION**
H2 = 208V
H3 = 220-240V

