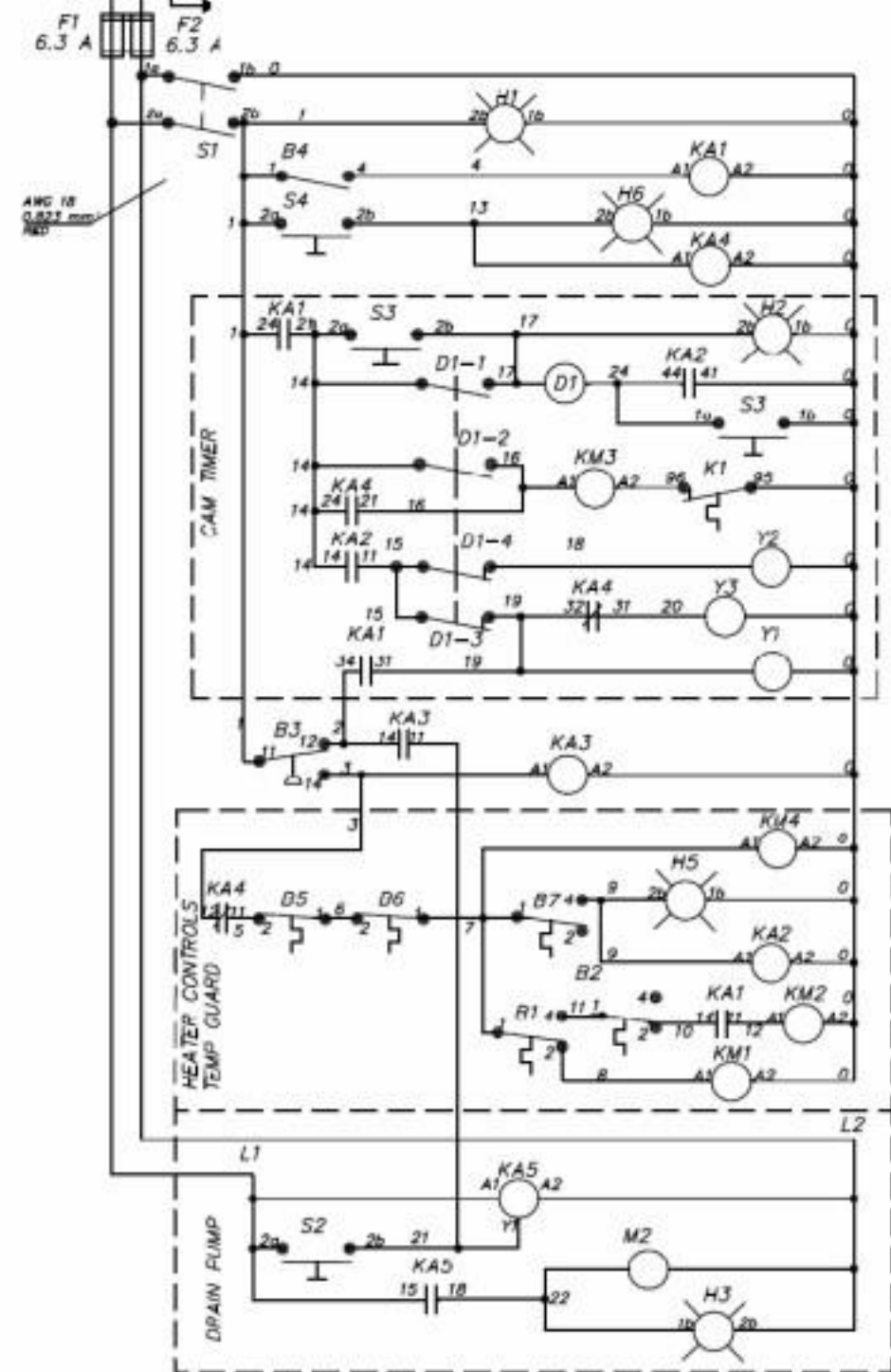
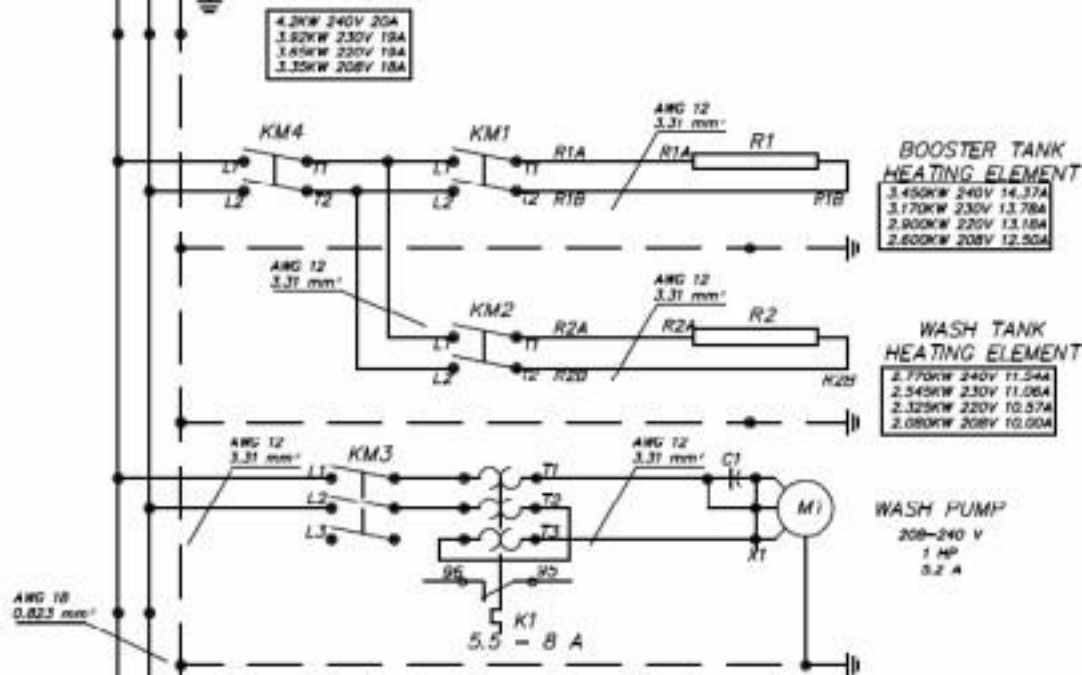


WIRING DIAGRAM RL30



- B1 BOOSTER THERMOSTAT
- B2 WASH TANK THERMOSTAT
- B3 PRESSURE SWITCH LEVEL CONTROL
- B4 MAGNETIC DOOR MICRO SWITCH
- B5 BOOSTER SAFETY THERMOSTAT (HI LIMIT)
- B6 WASH TANK SAFETY THERMOSTAT (HI LIMIT)
- B7 TEMP GUARD THERMOSTAT
- C1 WASH PUMP CAPACITOR
- D1 TIMER, 2 Minutes
- F1 FUSE 6,3 Amp
- F2 FUSE 6,3 Amp
- H1 ON / OFF INDICATOR LIGHT
- H2 WASH CYCLE INDICATOR LIGHT
- H3 DRAIN PUMP INDICATOR LIGHT
- H5 TEMP GUARD INDICATOR LIGHT
- H6 DELIME CYCLE INDICATOR LIGHT
- K1 WASH PUMP THERMAL RELAY
- KA1 MAGNETIC DOOR MICRO SWITCH RELAY
- KA2 TEMP GUARD RELAY
- KA3 DRAIN PUMP RELAY
- KA4 DELIME CYCLE RELAY
- KA5 DRAIN PUMP TIMER
- KM1 BOOSTER HEATING ELEMENT CONTACTOR
- KM2 WASH TANK HEATING ELEMENT CONTACTOR
- KM3 WASH PUMP CONTACTOR
- KM4 SAFETY CONTACTOR
- M1 WASH PUMP
- M2 DRAIN PUMP
- R1 BOOSTER HEATER
- R2 WASH TANK HEATER
- S1 ON / OFF SWITCH
- S2 DRAIN PUMP PUSH BUTTON
- S3 START CYCLE PUSH BUTTON
- S4 DELIME PUSH BUTTON
- Y1 FILL / RINSE SOLENOID VALVE
- Y2 RINSE AID DISPENSER (OPTION)
- Y3 DETERGENT DISPENSER

- TIMING CYCLE**
- 0-2 SECONDS RINSE
 - 2-103 SECONDS WASH
 - 103-114 SECONDS RINSE
 - 114-120 SECONDS DWELL
 - 96-99 SECONDS RINSE AID DISPENSER
 - 115-118 SECONDS RINSE AID DISPENSER
 - 103-114 SECONDS DETERGENT DISPENSER

FINAL DRAIN 30 SECONDS

