



NGDP

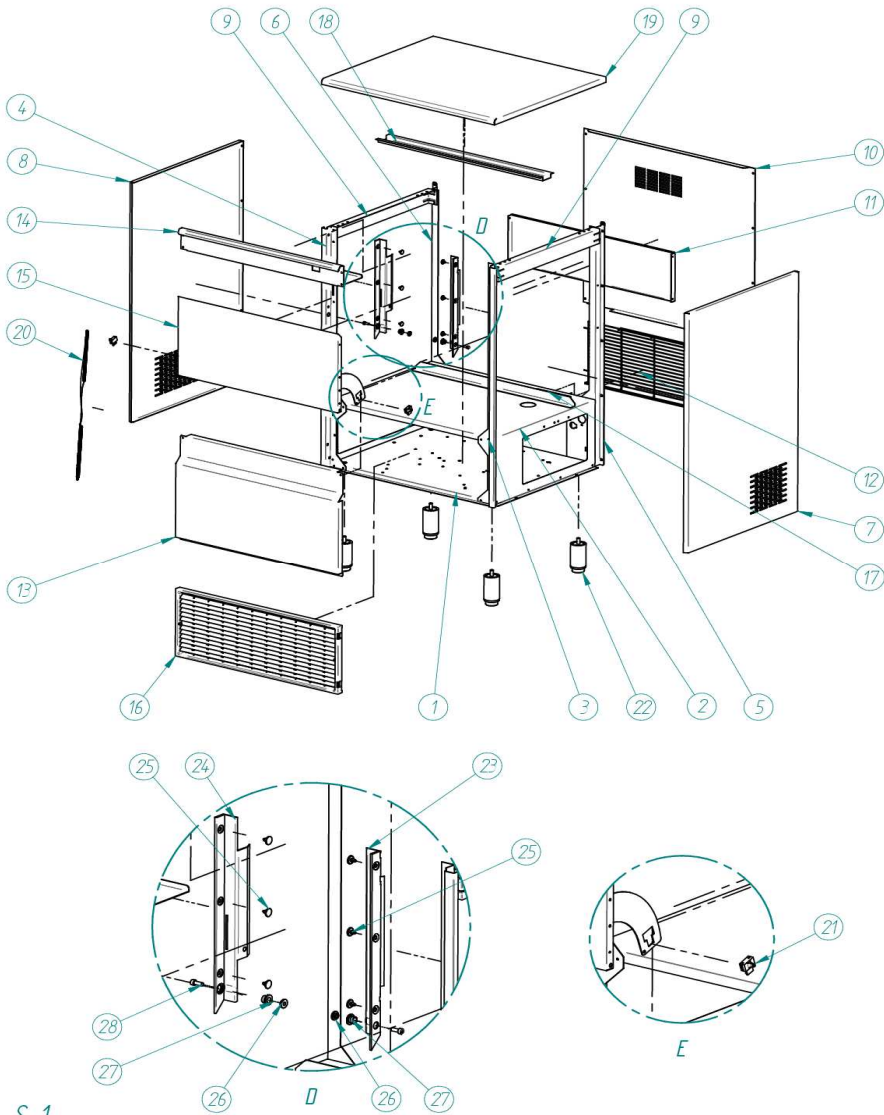
ITV
ICE makers



DESPIECE / REPUESTOS
EXPLODED VIEW / SPARE PARTS
EXPLOSIONSZEICHNUNG / ERSATZTEILE
VUE ÉCLATÉE / PIÈCES DÉTACHÉES
ESPLOSO / RICAMBI

ITV | ICE makers **SERVICE** 

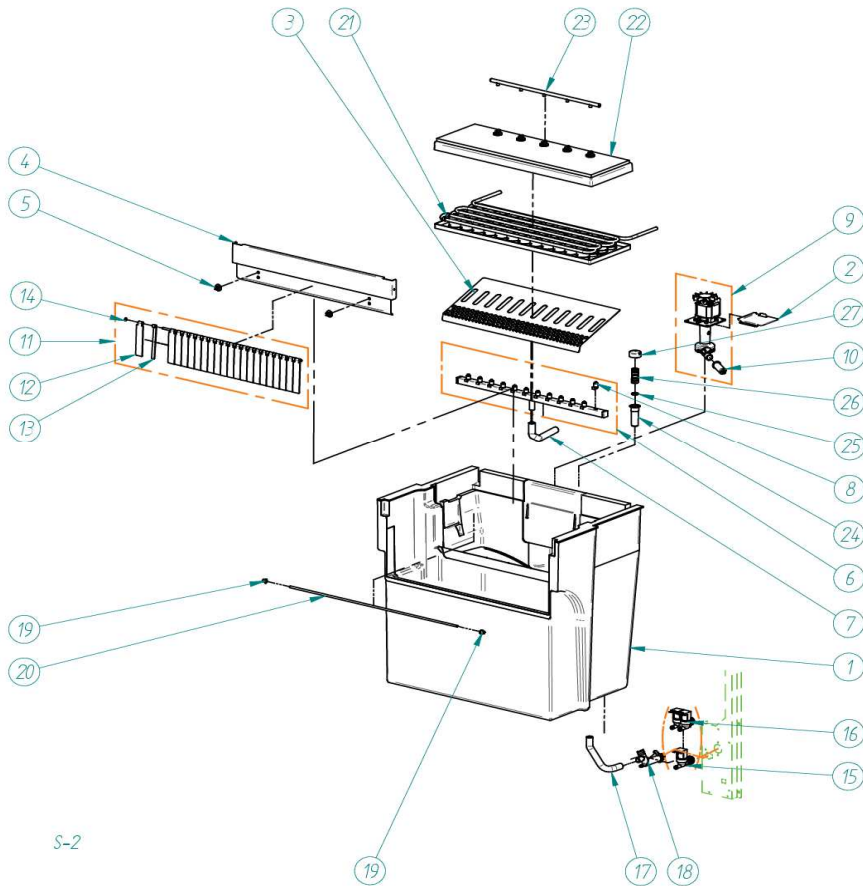
CABINET



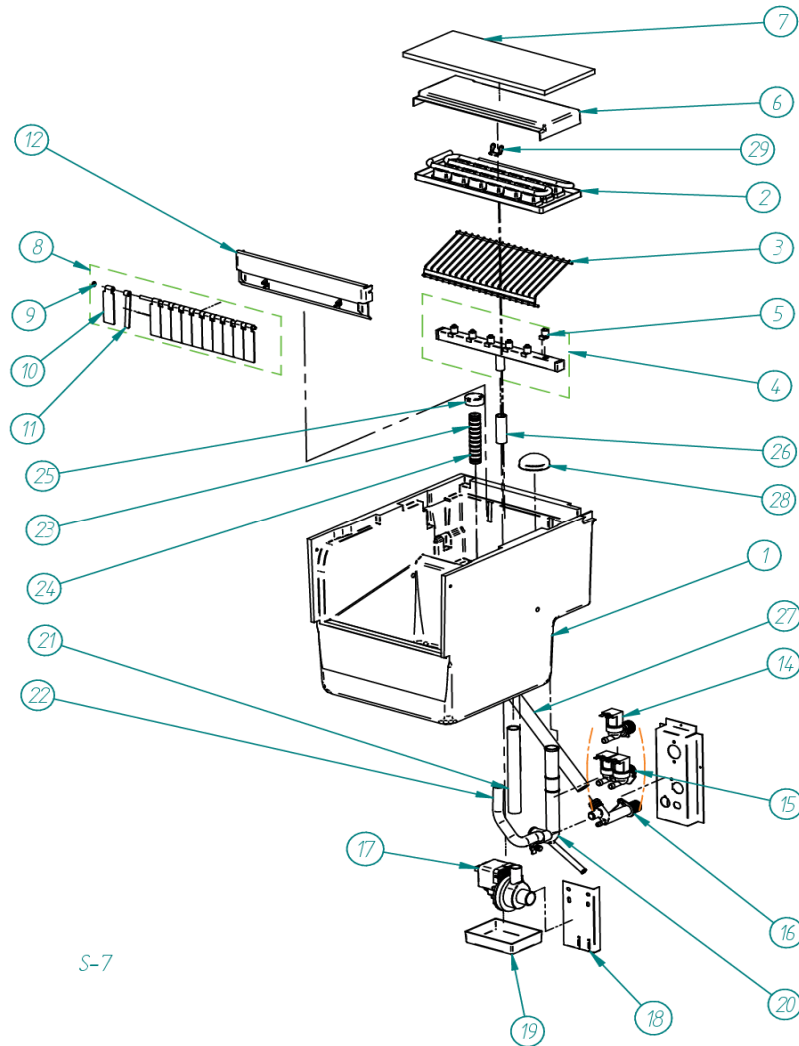
S-1

	DESCRIPTION	MODEL					
		NG75	NG95	NG135	NG175	NG265	NG355
1	BASEMENT	2836	808	4160	1734	3258	4313
2	SUPPORT	3078A	506	4159	1735	3421	4314
3	FRONT RIGHT COLUMN	3292	159		1736		3434
4	FRONT LEFT COLUMN	3923	160		1737		3435
5	REAR RIGHT COLUMN	3407	207		1775		3746
6	REAR LEFT COLUMN	3406	161		1770		3436
7	RIGHT PANEL	4957	4928		4948		4943
8	LEFT PANEL	4958	4929		4949		4944
9	BRACE	3520		557			3778
10	REAR COVER	4223	635	4172	1807	3785	4320
11	REAR REINFORCEMENT (installed until 1283180)	3528	2112	4171		1800	4325
12	REAR GRILL	4185	1728	4088		2192	4849
13	LOWER FRONT PANEL	3079	418	4186	1790	3770	4315
14	UPPER FRONT PANEL	4946	421	4169		1791	4316
15	DOOR	5072	5030	5791		5237	5857
16	FRONT GRILL	4185	4063	4186		4188	4187
17	BRIDGE ANGLE	---	---	---	2331	4984	4985
18	COVER REINFORCEMENT	---	---	---	4146	4146	4326
19	TOP COVER	3387	920	4170	1792	3773	4317
20	DOOR SPRING			702			
21	DOOR BUMPER			156			
22	LEG			1478			
23	RIGHT DOOR GUARD			82			
24	LEFT DOOR GUARD			83			
25	CLIP			113			
26	DOOR AXE BUSH			155			
27	DOOR AXE BEARING			1001			
28	DOOR SCREW			392			

BIN & HIDRAULIC PARTS



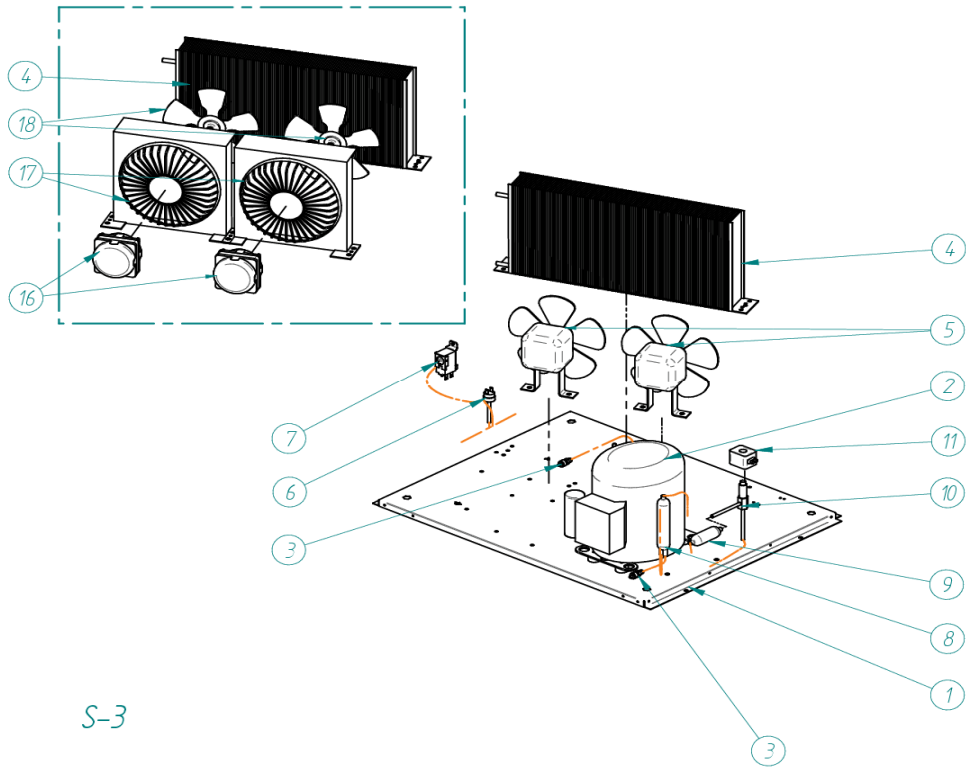
	DESCRIPTION	MODEL					
		NG95	NG135	NG175	NG265	NG355	
1	STOCK BIN	7452	7388	7128	7322	7487	
2	WATER BIN COVER			1938			
3	ICE CUBES RAMP	4673	1147	2186	3805	4323	
4	CURTAIN HOLDER	121A	4055A	2187		4193	
5	CURTAIN CLIP			3533			
6	COLLECTOR	7464	7406	7335	7350	7485	
7	FORCE PIPE	2148		2191		2148+576+2191	
8	SPRAY NOZZLE			526			
9	WATER PUMP	208-230V/60Hz		---		5927	
		115V/60HZ	5850		5932	---	
10	PUMP FILTER			1712			
11	COMPLETE CURTAIN	5900	5837	5395		5929	
12	EXTERIOR CURTAIN			606			
13	INSIDE CURTAIN			605			
14	CURTAIN JOINT			8856			
15	WATER VALVE 1B	7686		2783		4897	
16	WATER VALVE 2B (water condensed)	4900		6983+4476+7527		7692	
17	DRAIN PIPE			2222			
18	DRAIN COLLECTOR			363			
19	THERMOSTAT JOINT			666			
20	THERMOSTAT TUBE	5913	5437	5422		5933	
	EVAPORATOR						
21		ALFA 20gr	7030	7395	7258	7263	7479
		GALA 30gr	7423	7400	7156	7352	7480
22	EVAPORATOR COVER	4433	5418	5406	5491	5928	
23	WATER DISTRIBUTOR	---	---	---		911	
24	OVERFLOW DRAIN			4425			
25	JOINT		4496			---	
26	OVERFLOW PIPE		4426			2709	
27	OVERFLOW PIPE CAP		4427			---	



S-7

	DESCRIPTION	MODEL
		NG 75
1	STOCK BIN	7502
2	EVAPORATOR	
	ALFA 20gr	7492
	GALA 30gr	7491
3	ICE CUBES RAMP	4945
5	NOZZLE	526
6	EVAPORATOR COVER	5948
7	EVAPORATOR INSULATION	---
8	COMPLETE CURTAIN	5968
9	JOINT	8856
10	EXTERIOR CURTAIN	1213
11	INSIDE CURTAIN	1212
12	EVAPORATOR SUPPORT	4697
13	CLIP	3533
14	WATER VALVE 1B	4899
15	WATER VALVE 2B (water condensed)	4900
16	DRAIN COLLECTOR	363
17	WATER PUMP	31982
	WATER PUMP before 18230772	31998
18	PUMP SUPPORT	4956
19	PUMP TRAY	4521
20	SUCTION PIPE	4961
21	FORCE PIPE	4533
22	DRAIN PIPE	2222
23	OVERFLOW PIPE	4426
24	SEAL JOINT	4496
25	OVERFLOW PIPE CAP	4427
26	COLLECTOR PIPE	993
27	PRODUCTION DRAIN	2752
28	FILTER	580

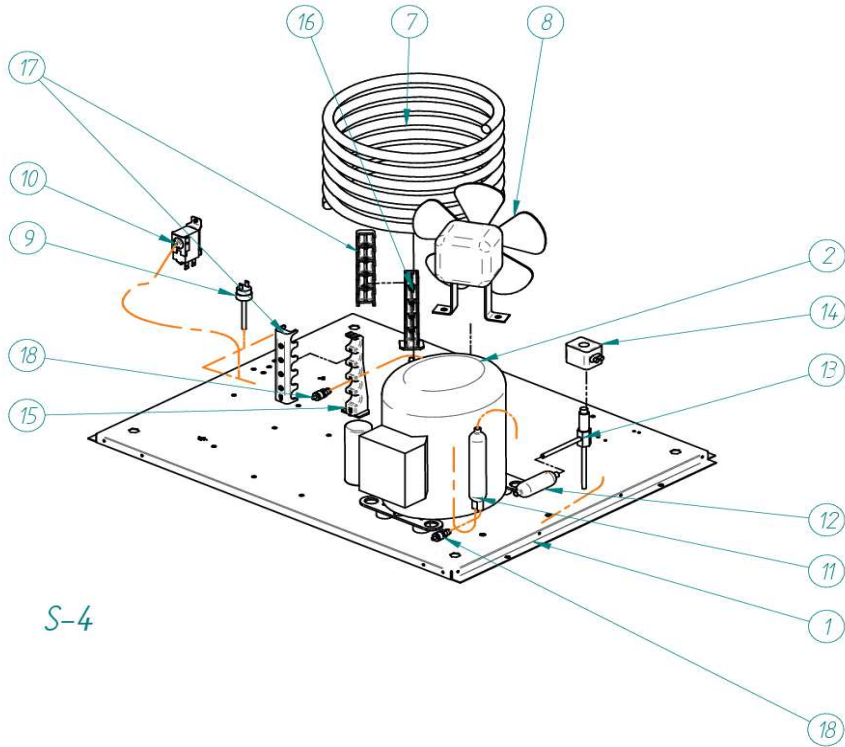
AIR CONDENSER UNIT



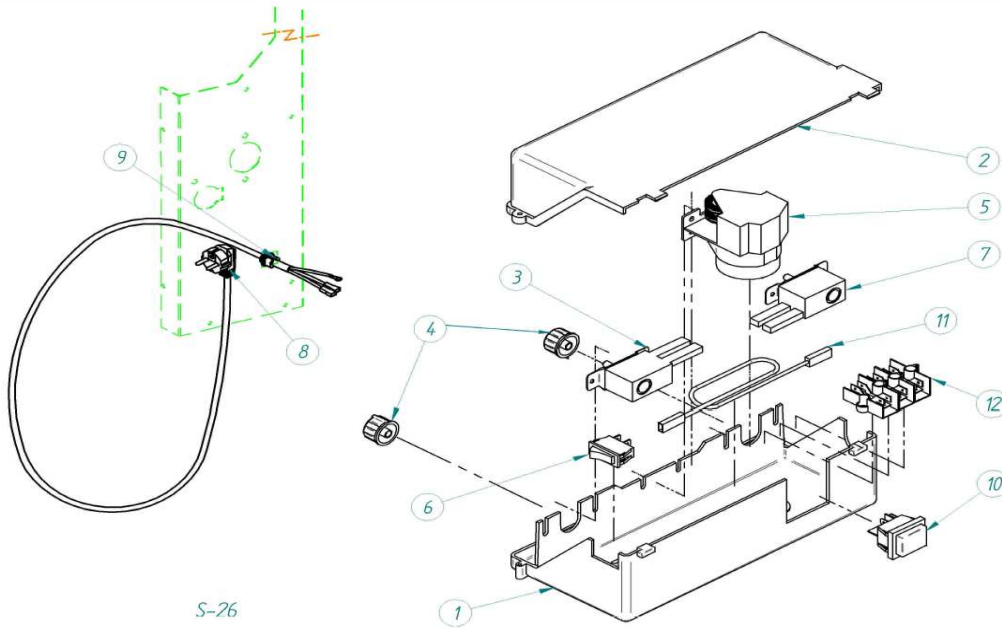
S-3

		DESCRIPTION					
		NG75	NG95	NG135	NG175	NG265	NG355
1	BASE	2836	808	4160	1734	3258	4313
2	COMPRESSOR						
		208-230V/60Hz		---		32029	
		115V/60Hz		82801	82701	4827	82803
3	CHARGING VALVE			335			
4	CONDENSER	491	486	487	2867	1052	500
5	FAN	4889			4890	4993	
6	HIGH PRESSURE SWITCH	334				2683	
7	CONDENSATION PRESSURE SWITCH			7476E		2507	
8	DRIER	449			1717	2560	
9	HOT GAS VALVE FILTER			448A			
10	HOT GAS VALVE	1468			1473	843	
11	COIL	115V/60HZ		5414		5173	
16	FAN MOTOR	4889			4890	4131	4230
17	CONDENSING BAFFLE			---		2433	2435
18	FAN BLADE			4887		4994	

WATR CONDENSER UNIT



	DESCRIPTION					
	NG75	NG95	NG135	NG175	NG265	NG355
1	2836	808	4160	1734	3258	4313
2	COMPRESSOR					
	208-230V/60H: ---					
	115V/60H: 82801 82701 4827 82803 32808 ---					
7	8483	5243	5244	5246	3267	3267
8	FAN					
	--- 4892+587 4892+587					
9	HIGH PRESSURE SWITCH					
	334 2683					
10	CONDENSATING PRESSURE SWITCH					
	7476E 2507					
11	DRIER					
	1717 2560					
12	HOT GAS VALVE FILTER					
	448A					
13	HOT GAS VALVE					
	1468 1473 843					
14	COIL					
	115V/60H: 5414					
15	CONDENSER SUPPORT					
	4036					
16	CONDENSER SUPPORT					
	4037					
17	CONDENSER SUPPORT					
	4038					
18	CHARGING VALVE					
	335					



S-26

	DESCRIPTION					
	NG75	NG95	NG135	NG175	NG265	NG355
1	BASE			4789		
2	COVER			4790		
3	CYCLE THERMOSTAT			153		
4	THERMOSTAT CONTROL			272		
5	TIMER					
	115V/60HZ					
	ALFA	4865C	2764C		4864C	
	GALA	4865C	2764C		4864C	
6	CLEANING SWITCH			2300		
7	STOCK THERMOSTAT			274		
8	SUCKO PLUG					
	208-230V/60HZ		---		4851	
	115V/60HZ		2771		6109	
9	WIRING FLANGE			664		
10	MAIN SWITCH			31496		
11	RESISTANCE PVC 115V			4867		
12	CONNECTOR			5177 X 3		