



IQ MODULAR

ITV
ICE makers

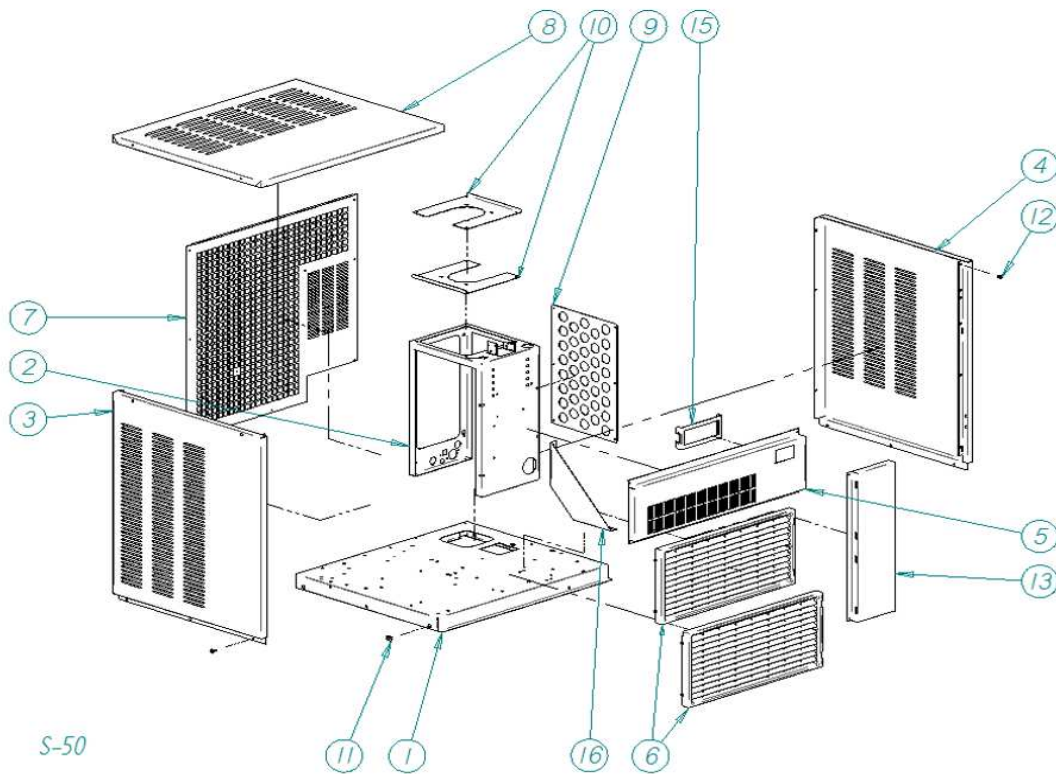


DESPIECE / REPUESTOS
EXPLODED VIEW / SPARE PARTS
EXPLOSIONSZEICHNUNG / ERSATZTEILE
VUE ÉCLATÉE / PIÈCES DÉTACHÉES
ESPLOSO / RICAMBI





FROM SERIAL NUMBER 1232138

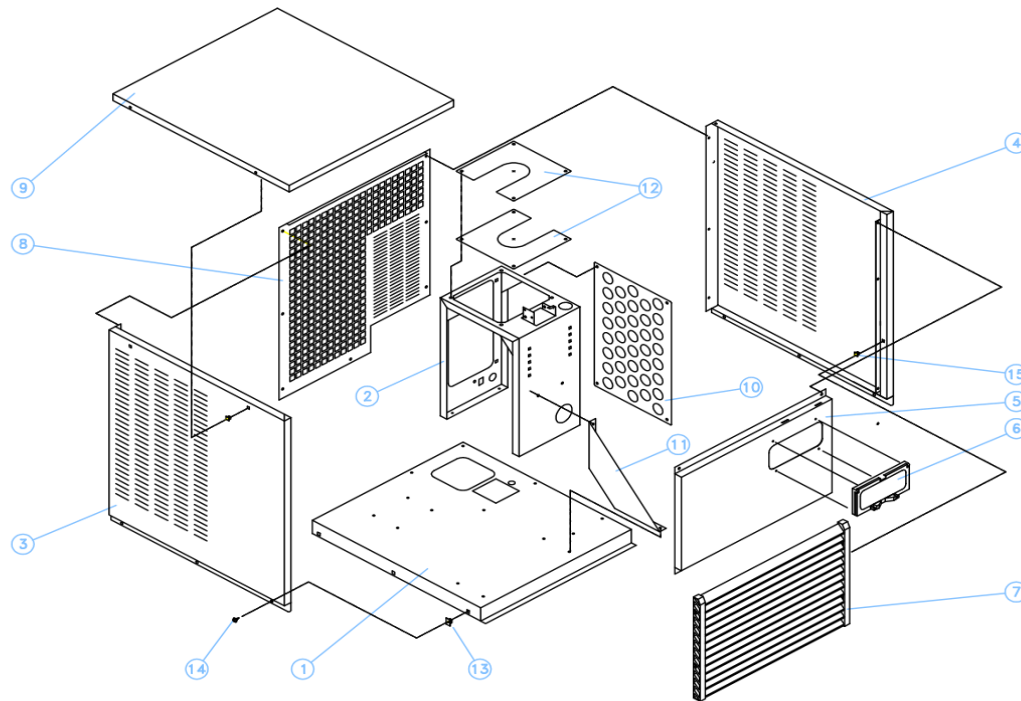


S-50

		NAME				
		MODEL				
		IQ 300	IQ 500	IQ 900	IQ 1300	IQ 2700
1	BASE	1915		2475		2730
2	BRIDGE	1916	2458	2476	2715	2720 X 2
3	LEFT PANEL	1928	2464	2479	2711	2736
4	RIGHT PANEL	1927	2463	2478	2710	2735
5	FRONT PANEL	6646	6647	(I) 6648	(I) 6650	2738
		---	---	(III) 6653	(III) 6651	---
6	AIR GRILLE	6084	4185 X 2	4186 X 2	4186 X 3	7572 X 2
7	BACK PANEL	1949	2466	2481	2712	2737
8	TOP PANEL	2465		2480		2729
9	LATERAL COVER	---	---	---	2717	---
10	SUPPORT BRIDE	2455 X 2		2477 X 2		2477 X 4
11	PLASTIC NUT	2440				
12	PLASTIC NUT	2347				
13	FRONT PANEL	---	6656	6657	6658	2724
15	LED SUPPORT	6659				
16	REAR STAY	---	1417		---	

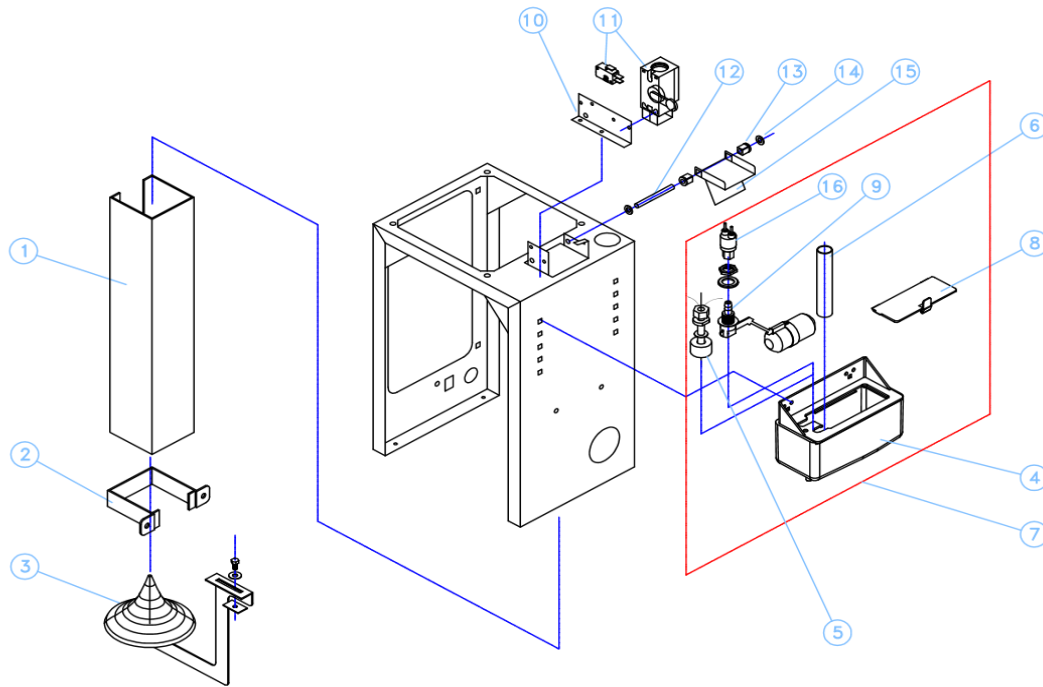


UNTIL SERIAL NUMBER 1232138



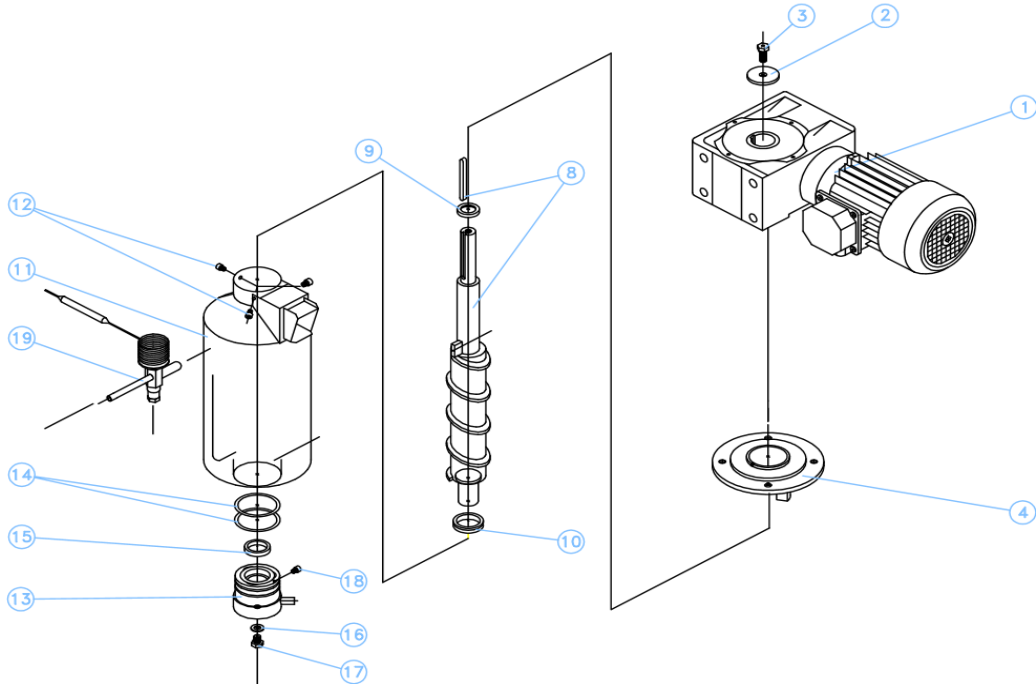
S-16

		NAME				
		MODEL				
		IQ 300	IQ 500	IQ 900	IQ 1300	IQ 2700
1	BASE	1915		2475		2730
2	BRIDGE	1916	2458	2476	2715	2720 X 2
3	LEFT PANEL	1928	2464	2479	2711	2736
4	RIGHT PANEL	1927	2463	2478	2710	2735
5	FRONT PANEL	1948	2467	2482	2713	2738
6	PLASTIC COVER	1479				
7	REAR GRILLE	7571		7573		7572
8	REAR PANEL	1949	2466	2481	2712	2737
9	TOP COVER	2465		2480		2729
10	SIDE REINFORCEMENT	---	---	---	2717	---
11	CORNER REINFORCEMENT	---	---	1417		---
12	MOTO BRACKET	2455		2477		
13	SMALL NUT			2440		
14	SCREW			2491		
15	PLASTIC NUT			2347		



S-19

	NAME				
	IQ 300	IQ 500	IQ 900	IQ 1300	IQ 2700
1	ICE DELIVERY CHUTE	2441	2442	2443	2444
2	ICE DELIVERY CUBE FLANGE			2447	
3	DISPERSION CONE			7228	
4	WATER BIN			6036A	
5	WATER LEVEL PROBE			5423	
6	OVERFLOW TUBE			2505	
7	COMPLETE WATER BIN			5231A	
8	WATER BIN COVER			1968	
9	FLOAT			5340	
10	MICRO SUPPOTY		---		2863
11	STOP MICRO			2517	
	STOP MICRO (old IQ550)		---		2562
12	SHAFT			2514	
13	DOOR BUSHING			171	
	ARTICULATION JOINT(old units)			107	
14	ARTICULATION JOINT			6004	
15	STOP FLOATING			2434	
16	WATER PRESSURE SWITCH (old IQ550)		---		1120
15	STOP FLOATING SPRING			817	

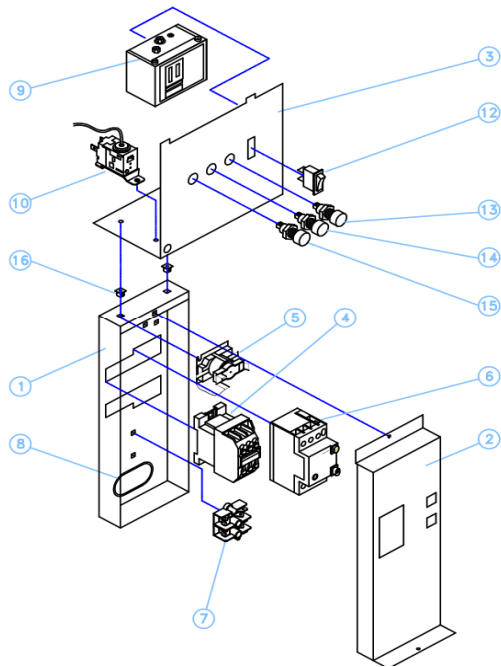


S-17

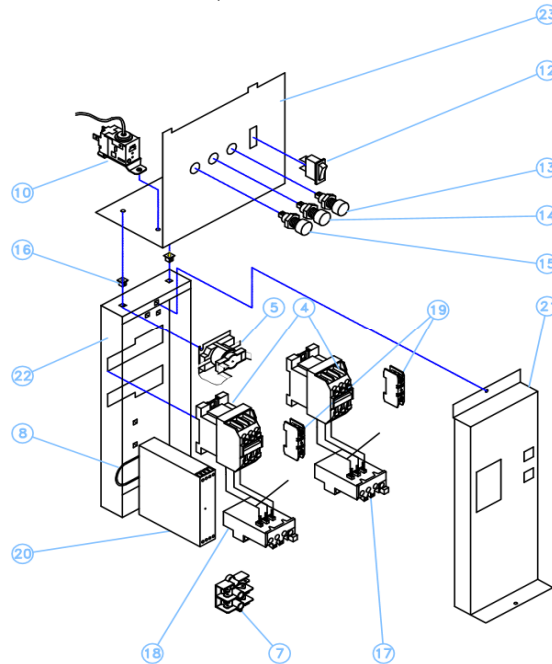
	NAME	MODEL				
		IQ 300	IQ 500	IQ 900	IQ 1300	IQ 2700
GEAR MOTOR						
1	115V/60HZ/1PH	1252				---
	208-230V/60HZ/1PH	---		1253	1284	---
	208-230V/60HZ/3PH	---		1256		1301
2	WASHER		2512		1850	1850
3	SCREW		3297		719	719
4	MOTOR SUPPORT		5365		5366	5366
8	AUGER	2245	2246	50	894	894
9	WASHER	---	---		1820	1820
10	V-RING SEAL				2335	2335
						7636
11	EVAPORATOR	7633	7634	7635	7636	(right)+7639(left)
12	SCREW			2871 (M6) -- 3560(M10)		
13	BOTTOM BEARING	125			162	162
14	O-RING	2256			2484	2484
15	SEAL	725			726	726
16	WASHER		2510			2510
17	SCREW		2449			2449
18	SCREW		2595			2595
*	COMPLETE EVAPORATOR KIT	7194	7195	7179	7177	---



UNTIL SERIAL NUMBER 1232138

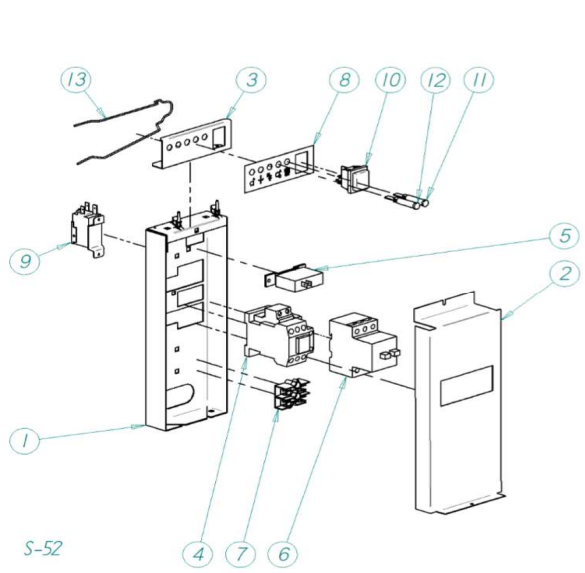


THREE PHASE IQ1300

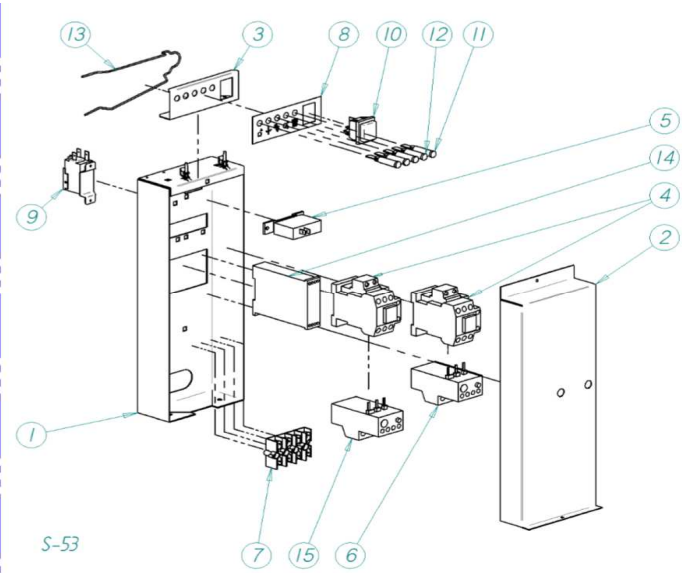


	NAME				
	IQ 300	IQ 500	IQ 900	IQ 1300	IQ 2700
1	BASE		2472		2734
2	COVER				
3	PILOT SUPPORT		2974		2724
4	CONTACTOR				
5	TIMER				
6	BREAKER				
7	CONNECTING POINT		536A		
8	BUSHING				
10	CONDENSATION PRESSURE SWITCH				
12	SWITCH				
13	GREEN PILOT				
14	ORANGE PILOT				
15	RED PILOT				
17	OVERLOAD GEAR MOTOR		2470		1964
18	OVERLOAD COMPRESSOR				
19	AUX. CONTACT				
20	PHASE DETECTOR				
21	BOX COVER		5177		
22	BASE				
23	PILOT SUPPORT				
				731	
				2507	
				2300	
				825	
				2498	
				826	
				4971	
				4966	
				3219	
				3210	
				3221	---
				3218	---
				3220	---

SINCE SERIAL NUMBER 1232138

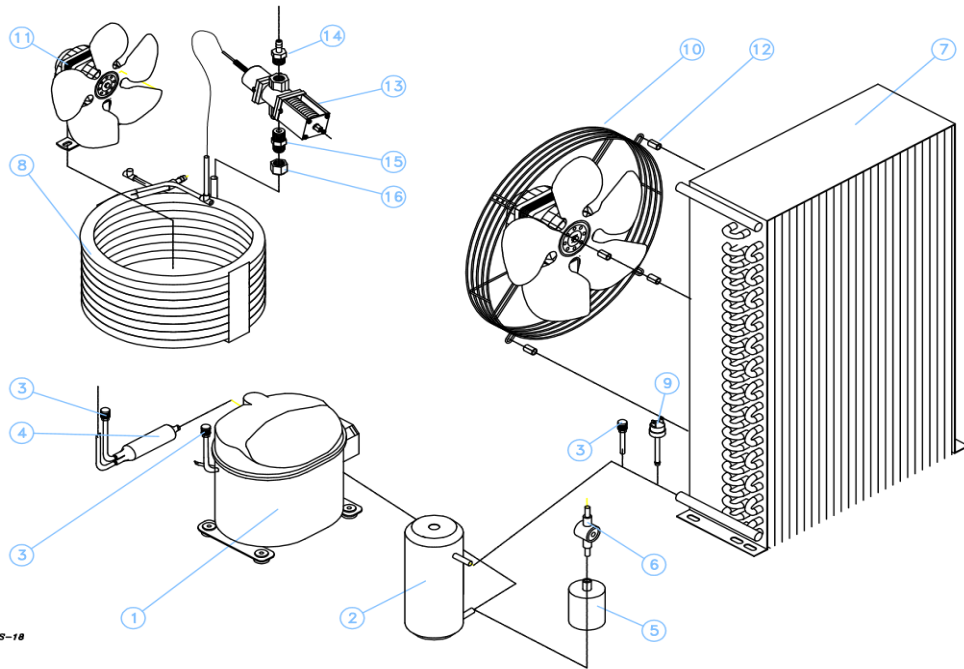


THREE PHASE IQ1300



	NAME	MODEL				
		IQ 300	IQ 500	IQ 900	IQ 1300	IQ 2700
1	BASE		2472(I) - 3218(III)			
2	COVER		2974(I) - 3221(III)			
3	LED SUPPORT		6659			
4	CONTACTOR	4935			536A	
5	TIMER		2471			
6	GEAR MOTOR OVERLOAD	3198		1964(I) - 4971(III)		
7	CONNECTING POINT		5177			
8	BUSHING		6662			
9	CONDENSATION PRESSURE SWITCH		2507			
10	SWITCH		2287			
11	ORANGE LED		1458			
12	RED LED		1457			
13	LED MOORING		6661			
14	PHASE SEQUENCE RELAY		3210			
15	COMPRESOR OVERLOAD		4966			

AIR-WATER CONDENSER



S-18

	NAME	MODEL					
		IQ 300	IQ 500	IQ 900	IQ 1300	IQ 2700	
1	COMPRESSOR	115V/60HZ/1PH 208-230V/60HZ/3PH	4827	82803	32039	32013	---
2	LIQUID ACCUMULATOR (old units)		---		432	---	6241
3	VALVE			335			
4	DRIER		1717	1096		---	
5	DRIER			---		2560	
6	SIGHT GLASS (old units)			---		336	
7	AIR CONDENSER		488	499	8181	2474	2732
	old units		---		1032	2474	---
8	WATER CONDENSER		5243	5244	5246		5879
9	HIGH PRESSURE SWITCH			334			
10	AIR CONDENSER FAN	115V/60HZ/1PH 208-230V/60HZ/3PH	4891+4495	2165+4888	4894+6557		---
					4894+6557		---
11	WATER CONDENSER FAN	115V/60HZ/1PH 208-230V/60HZ/3PH	2164+587	2170+587		4892+587	---
			4829			4892+4040	
12	MOTOR SPACERS			---	1223	---	123
13	WATER PRESSURE SWITCH VALVE				425		
14	WATER PRESSURE SWITCH VALVE HOSE				1015		
15	3/8" SAE - 3/8" GAS CONNECTION				430		
16	SAE 3/8" NUT				426		