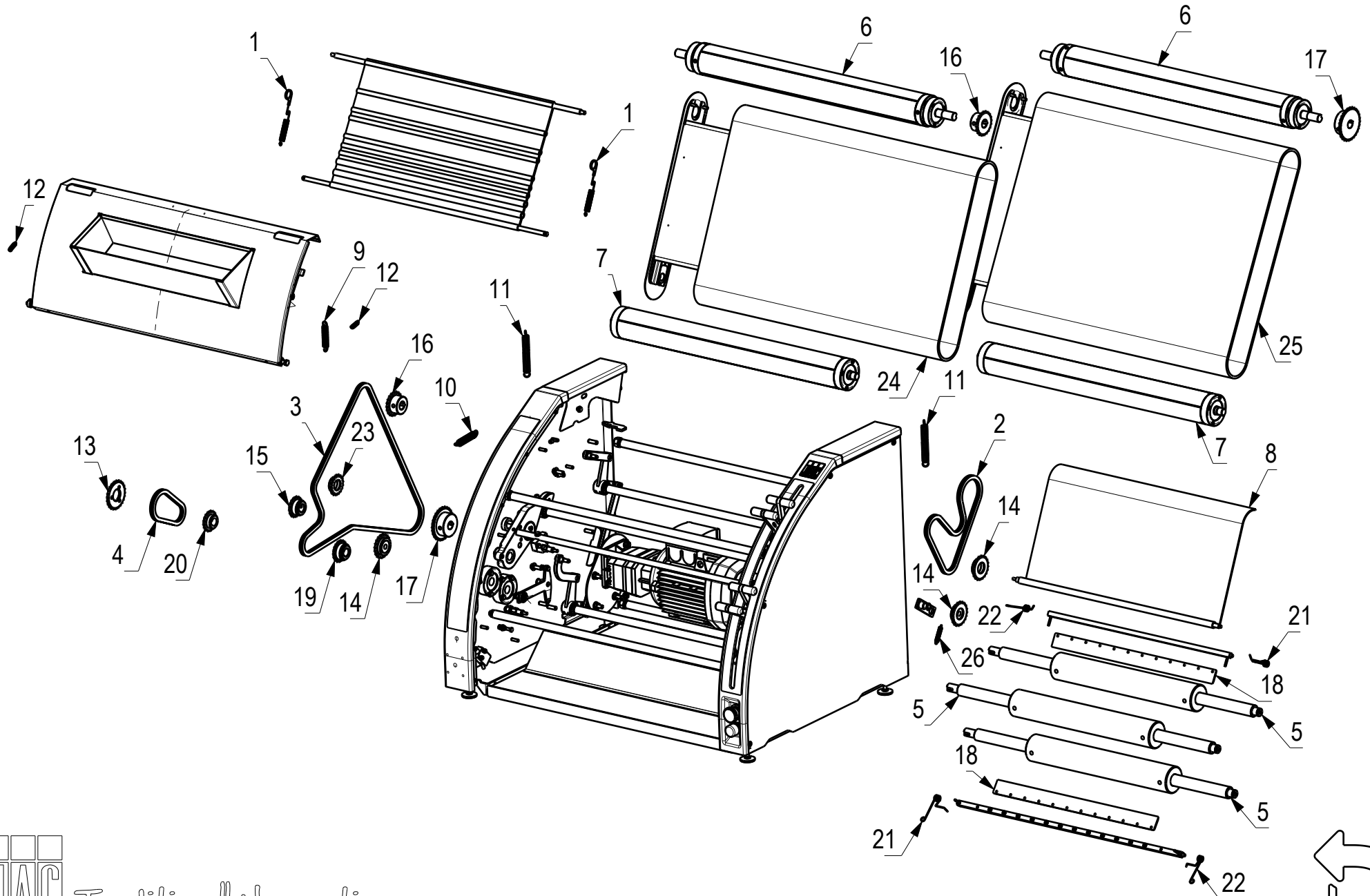


UNIC 2009 => ...



UNIC 2009 => ...

