

Figure 18b. 110 Volt Electrical Diagram (Machines before 1997)



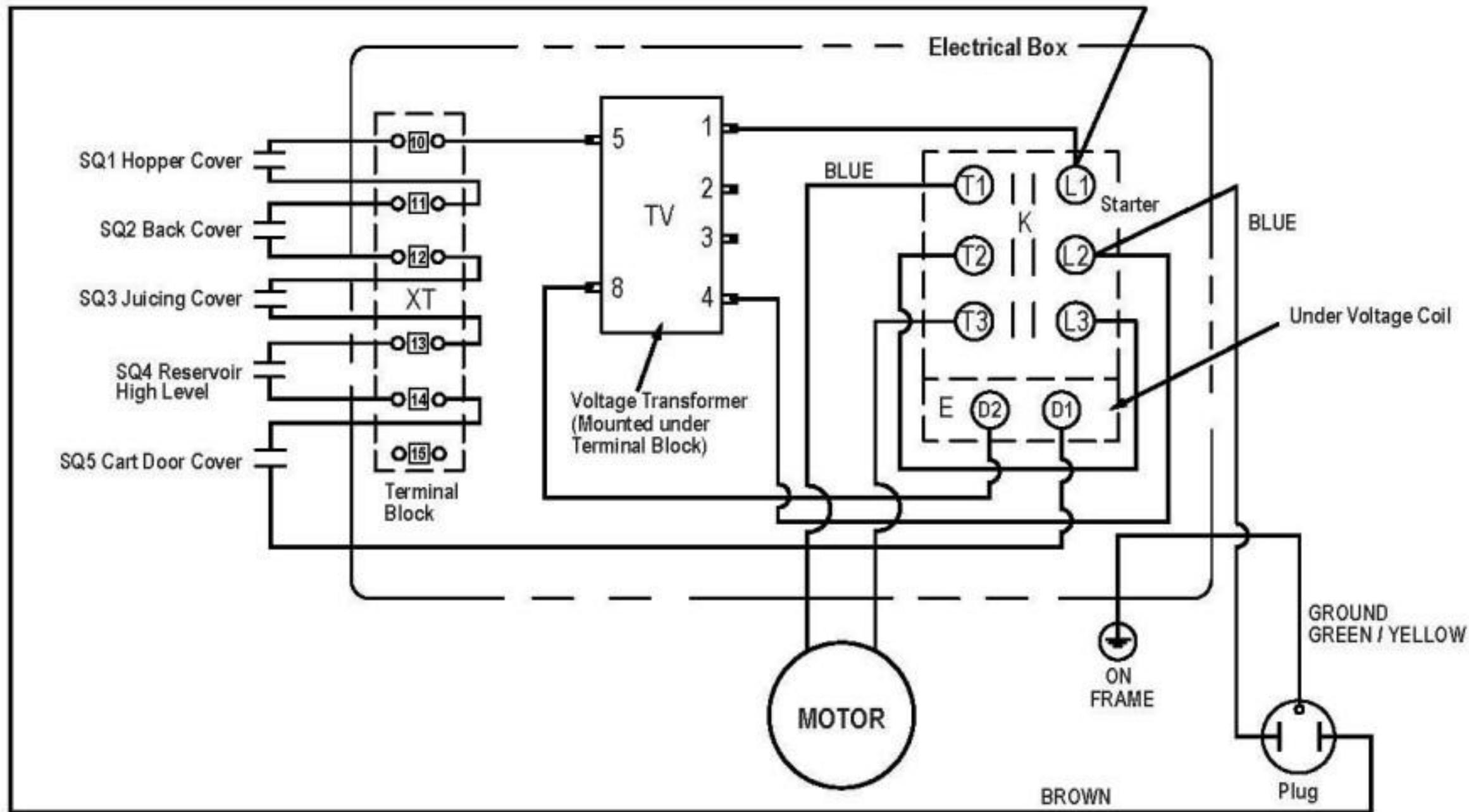


Figure 19a. 220 Volt Electrical Diagram (Machines before 1997)

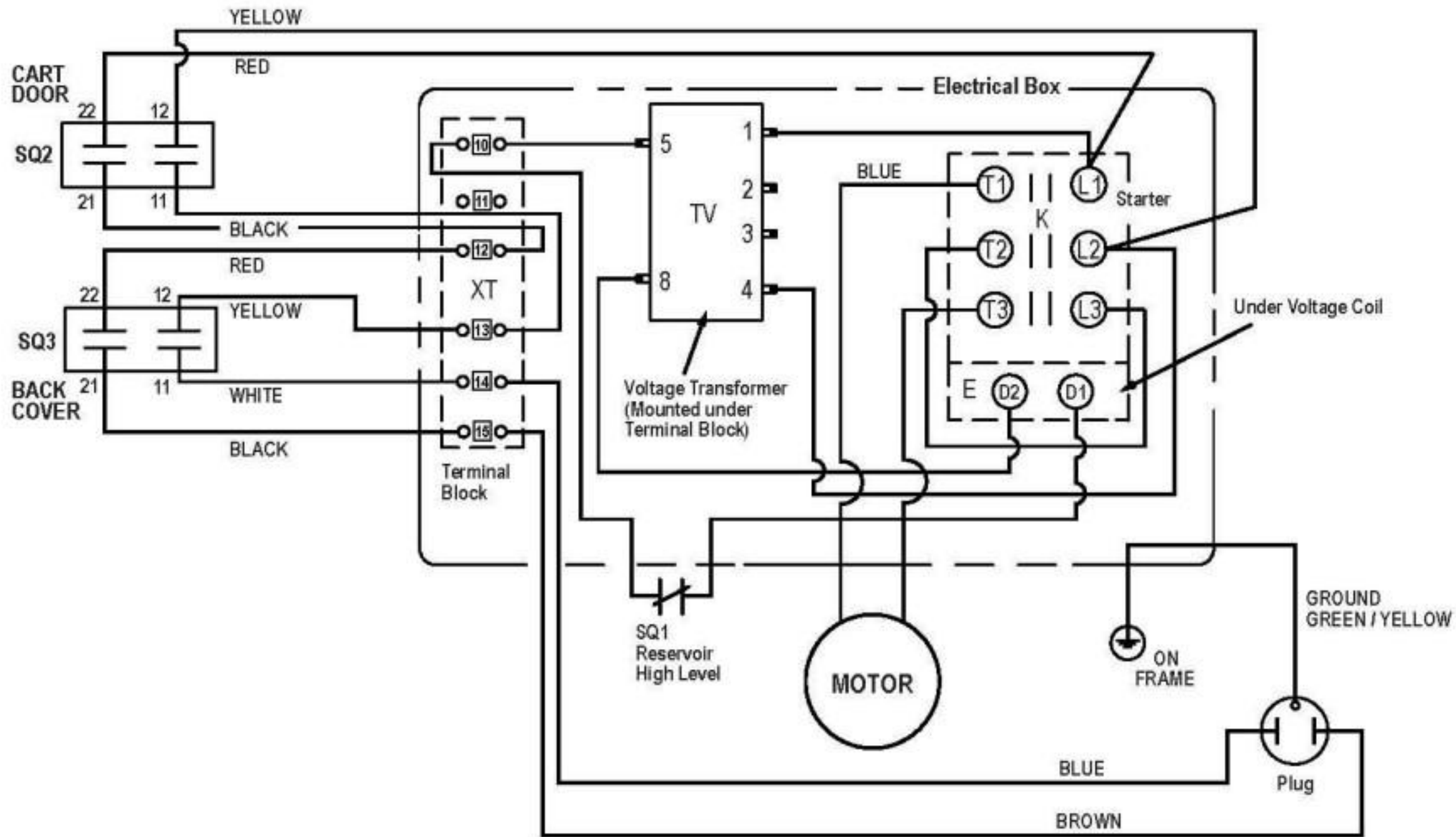


Figure 19b. 220 Volt Electrical Diagram (Machines 1997 and later)