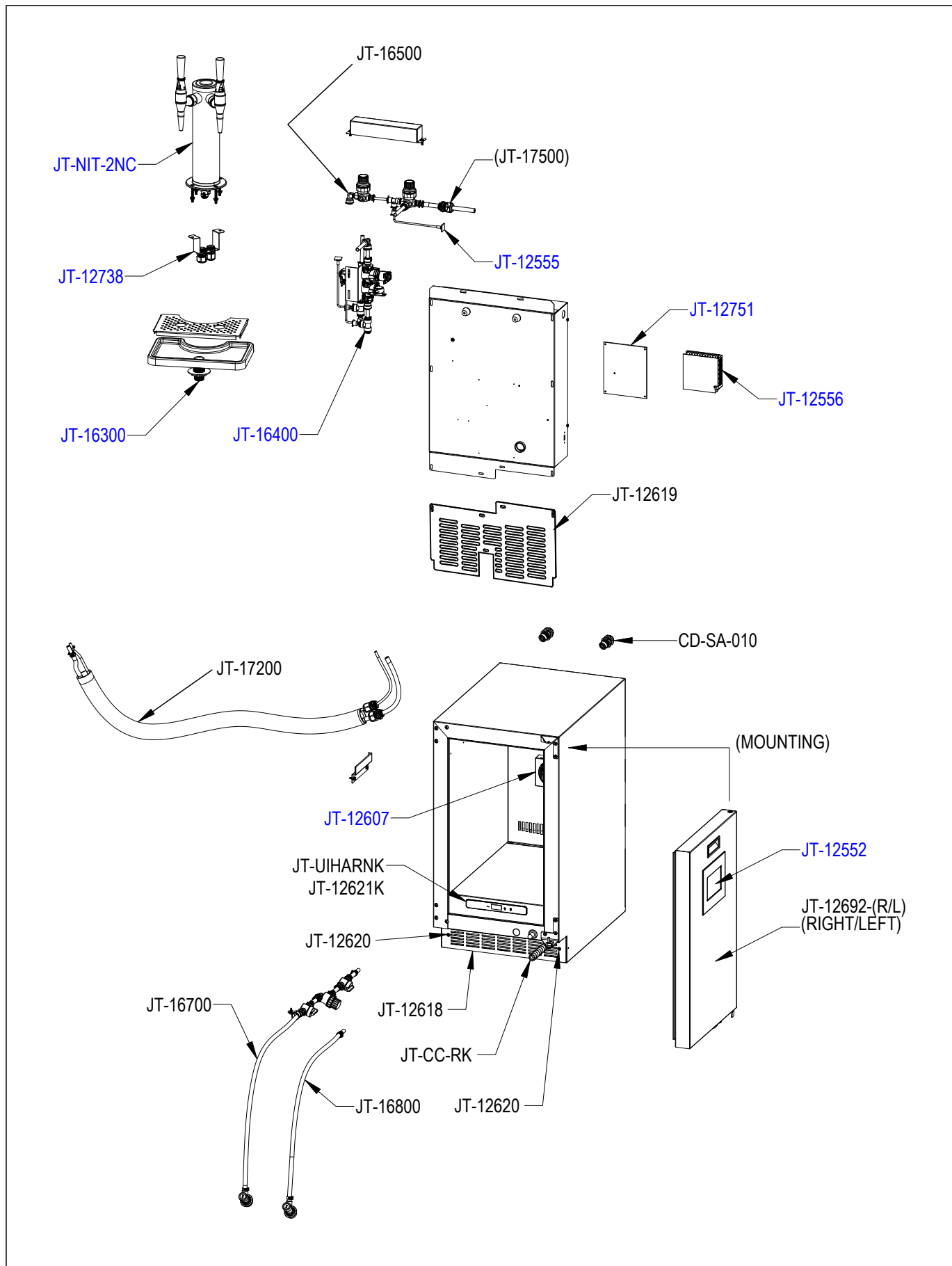
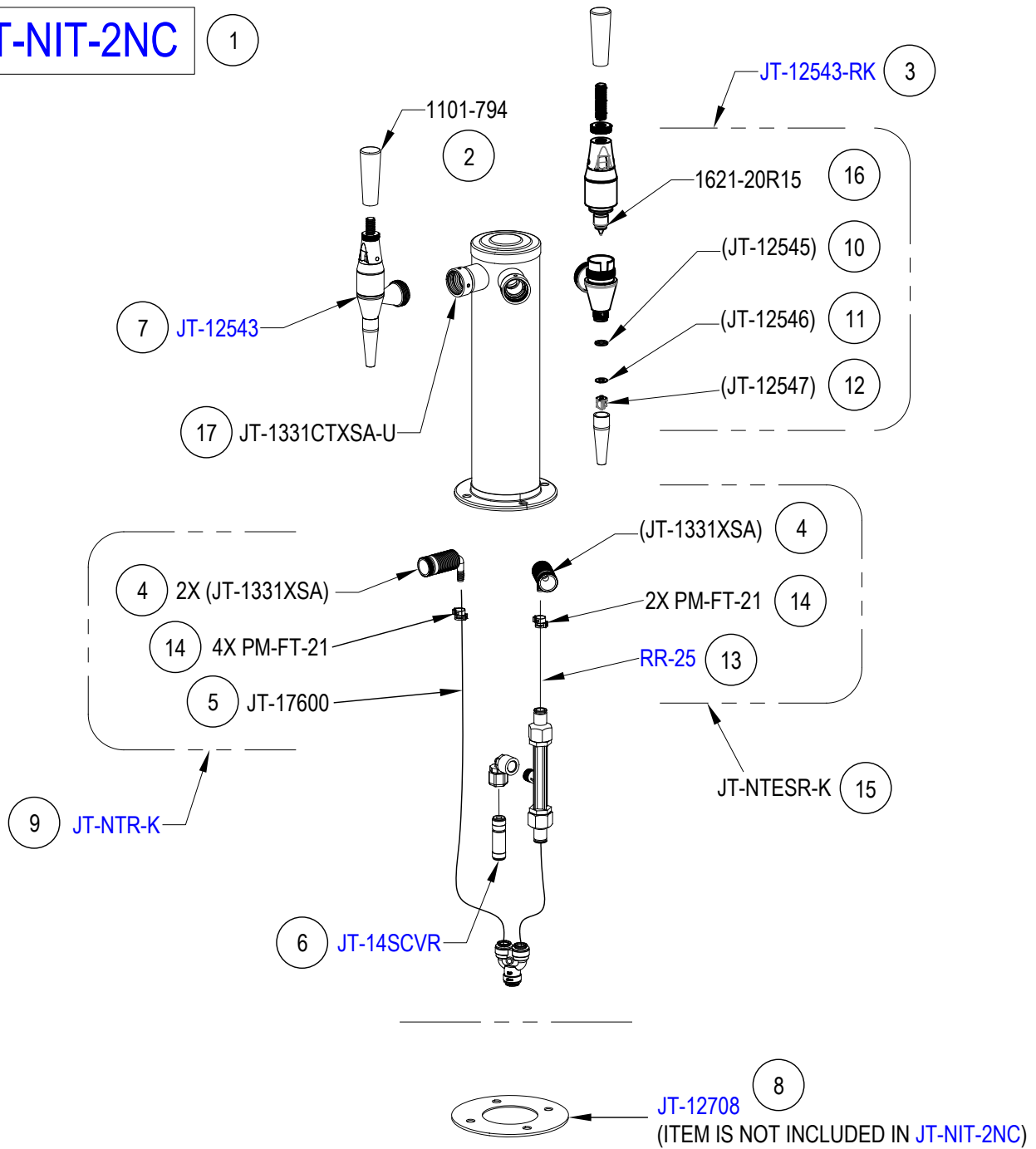


Part Number		Description
<b>TOWER COMPONENTS</b>		
1	1101-794	FAUCET HANDLE - BLACK
2	<a href="#">JT-12543-RK</a>	SPOUT REPAIR KIT
3	<a href="#">JT-12549</a>	Faucet Spanner Wrench
4	JT-NTESR-K	Nitro Tower Elbow Shank Replacement Kit
5	<a href="#">JT-NTR-K</a>	Nitro Tower Repair Kit
6	<a href="#">JT-14SCVR</a>	CHECK VALVE - SINGLE, 1/4" x 1/4"
7	JT-NIT-CK	COMPACT NITRO CLEANING KIT
8	<a href="#">JT-12543</a>	SPOUT, 3-5/16" LNG, 304 SS POLISHED
9	<a href="#">JT-NIT-2NC</a>	NITRO TOWER - 2 FAUCET
10	<a href="#">KAY-5</a>	<a href="#">KAY-5</a> SANITIZER PACKET, 1 OZ
11	<a href="#">RR-25</a>	TUBING, BARRIER - .265" ID X .375" OD
12	PM-FT-21	OETIKER CLAMP #105
13	JT-17600	NITRO TOWER TUBING ASSEMBLY
14	1621-20R15	DIAPHRAGM, FAUCET
15	JT-1331CTXSA-U	COMPLETE ELBOW SHANK ASSY, 1-3/4" X 1/4" X 1/4"
<b>DISPENSE COMPONENTS ON FRIDGE</b>		
16	CD-FT-013	3/8" STEM X 1/4" BARB FITTING
17	CD-FT-037	3/8" x 3/8" PUSH BALL VALVE
18	<a href="#">JT-PI010822S</a>	FTNG, ADAPTER, 1/4" STEM x 1/4" THRD, MALE
19	JT-12724	FITTING - SWIVEL MALE TEE 1/4"NPTF
20	CD-FT-035	1/4 MT X 3/8 TUBE, JOHN GUEST FXD EL
21	AV-14	FITTING - 3/8 TUBE X 1/8 NPTF
22	<a href="#">JT-PI250808S</a>	TUBE TO HOSE, 1/4" BARB x 1/4" STEM
23	<a href="#">JT-16700009</a>	HOSE CLAMP, 15/32, 12.3 MM, SS
24	<a href="#">JT-PE08BIO500FW</a>	1/4" OD TUBING WHITE
25	JT-1000307	1/4" ID PVC TUBING, CLEAR
26	USB-CBX-06UH-1	USB, RECEPTACLE x PLUG, 2.0, 3.9" L, BLACK
27	EP-CBL-USB2-505	USB PANEL MOUNT CABLE
28	JT-12661	HARNESS SOLENOID JOETAP
29	<a href="#">JT-12662</a>	HARNESS FLOWMETER JOETAP
30	JT-12663	HARNESS POWER SUPPLY PCB
31	JT-12682	HARNESS POWER SUPPLY HIGH VOLTAGE
32	<a href="#">JT-12552</a>	SCREEN - 5" TOUCH DISPLAY
33	<a href="#">JT-12554</a>	SOLENOID VALVE SUBASSEMBLY
34	<a href="#">JT-12555</a>	PRESSURE TRANSDUCER
35	<a href="#">JT-12556</a>	POWER SUPPLY, AC/DC CONVERTER 24V 77W
36	<a href="#">JT-12751</a>	NITRO COM PCB BOARD-NEW
37	<a href="#">JT-12774</a>	FLOWMETER/SOLENOID ASSEMBLY
38	JT-16700	GAS DISCONNECT SUB ASSY
39	<a href="#">JT-4027110277</a>	1/4" GAS DISCONNECT
40	JT-16700	FILTER ELEMENT SUB ASSY

Part Number		Description
41	<a href="#">JT-4027110299</a>	1/4" LIQUID DISCONNECT
42	<a href="#">JT-ADMF06</a>	FILTER STRAINER - 3/8" x 3/8", PUSH-IN, 100 MESH
43	JT-17200-K	INSULATED TUBE BUNDLE INSTALLATION KIT
44	<a href="#">JT-12775</a>	CORD GRIP-CONTINUOUS FLEX-0.2"-0.35"
45	JT-12776	CORD GRIP-CONTINUOUS FLEX-0.25"-0.47"
46	<a href="#">JT-16300</a>	DRIP TRAY
47	<a href="#">JT-16305</a>	DRIP TRAY PLATE (16 GA OR 18 GA)
48	JT-16500	PRESSURE REGULATOR TUBING ASSY
49	<a href="#">JT-12624</a>	REGULATOR, 1/4" NPT, 5-50 PSI
50	<a href="#">JT-R07200RNAA</a>	REGULATOR, 1/4" NPT, 1-10 PSI
51	CD-FT-091	FITTING, STEM REDUCER, 1/4 TUBE X 3/8 STEM, JG
52	JT-12677	FITTING - 3/8" TUBE TEE - REDUCER TEE
53	JT-12720	CUSHION CLAMP, 3/8"
54	JT-12726	#10-16 X 1/2 Lg, SCREW, SELF-TAPPING, HEX HEAD, SS
55	RR-34	FITTING - 3/8 ELBOW, JOHN GUEST PIO312S
56	<a href="#">JT-12601</a>	FITTING-6mm X 4mm BARB, JOE TAP
57	<a href="#">JT-16400</a>	TUBING ASSY-FLOWMETER-SLND
58	<a href="#">JT-12673</a>	CABLE-ETHERNET, JOE TAP CAT6
59	<a href="#">JT-12708</a>	GASKET-TOWER, JT
60	<a href="#">JT-12738</a>	GRIP ASSY-TUBING AND CORD, JT
61	CD-SA-010	FITTING - 3/8", BULKHEAD
62	JT-12683	POWER SUPPLY, DISPLAY MODYLE
63	JT-12674	USB CABLE
<b>REFRIGERATION COMPONENTS</b>		
64	JT-CC-RK	Joe Tap Cord Catcher Repair Kit
65	JT-12692-KR	DOOR STOP - ASSEMBLY KIT-RIGHT HAND
66	<a href="#">JT-12692-KL</a>	DOOR STOP - ASSEMBLY KIT-LEFT HAND
67	JT-12618	GRILL-FRONT BOTTOM
68	JT-12620	FRONT GRILL SCREWS
69	JT-12619	BACK PANEL-BOTTOM
70	JT-12621K	UI BOARD REPLACEMENT KIT
71	<a href="#">JT-12604</a>	MAIN BOARD JADE515-SSXXA
72	<a href="#">JT-12609</a>	POWER CORD
73	<a href="#">JT-12779</a>	INVERTER, 120V DROP-IN
74	JT-12692-L	DOOR ASSY, LEFT HAND, JT-515
75	JT-12692-R	DOOR ASSY, RIGHT HAND, JT-515
76	<a href="#">JT-12607</a>	FAN-EVAPORATOR, JOE TAP NITRO
77	<a href="#">JT-12608</a>	THERMISTOR
78	<a href="#">JT-12781</a>	PLUNGER SWITCH, DOOR
79	<a href="#">JT-12606</a>	CONDENSER FAN
80	<a href="#">JT-12777</a>	DOOR GASKET
81	<a href="#">JT-12780</a>	BUSHING FOR UPPER HINGE PIN
82	JT-UIHARNK	UI HARNESS REPLACEMENT KIT



# JT-NIT-2NC



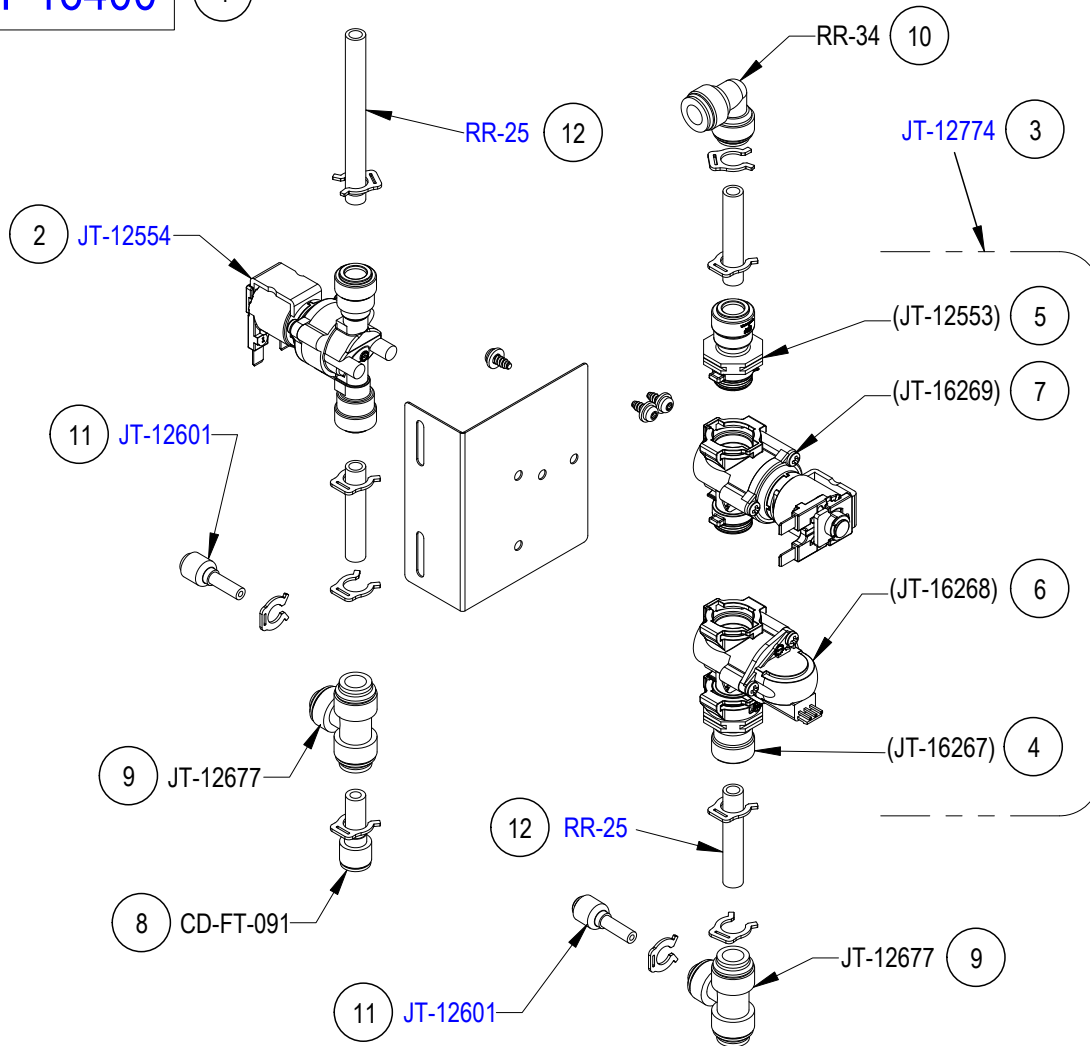
1	JT-NIT-2NC	NITRO TOWER, 2-FAUCET
2	1101-794	FAUCET HANDLE - BLACK
3	JT-12543-RK	SPOUT REPAIR KIT
4	JT-1331XSA *	ELBOW SHANK, 1-3/4" X 1/4" X 1/4", 304 SS
5	JT-17600	NITRO TOWER TUBING ASSEMBLY
6	JT-14SCVR	CHECK VALVE - SINGLE, 1/4" X 1/4"
7	JT-12543	SPOUT, 3-5/16" LNG, 304 SS POLISHED
8	JT-12708	GASKET-TOWER, JT

\* ITEMS IN PARENTHESIS AND ASTERISK ARE AS PART OF KIT ONLY

9	JT-NTR-K	NITRO TOWER REPAIR KIT
10	JT-12545 *	O-RING, 2-013, 7/16" ID X 9/16" OD, BUNA
11	JT-12546 *	NOSE CONE DIFFUSER DISC
12	JT-12547 *	NOSE CONE FLOW STRAIGHTENER
13	RR-25	TUBING, BARRIER - .265" ID X .375" OD
14	PM-FT-21	OETIKER CLAMP #105
15	JT-NTESR-K	NITRO TOWER ELBOW SHANK REPLACEMENT KIT
16	1621-20R15	DIAPHRAGM, FAUCET
17	JT-1331CTXSA-U	COMPLETE ELBOW SHANK ASSEMBLY, 1-3/4" X 1/4" X 1/4"

\* ITEMS IN PARENTHESIS AND ASTERISK ARE AS PART OF KIT ONLY

# JT-16400

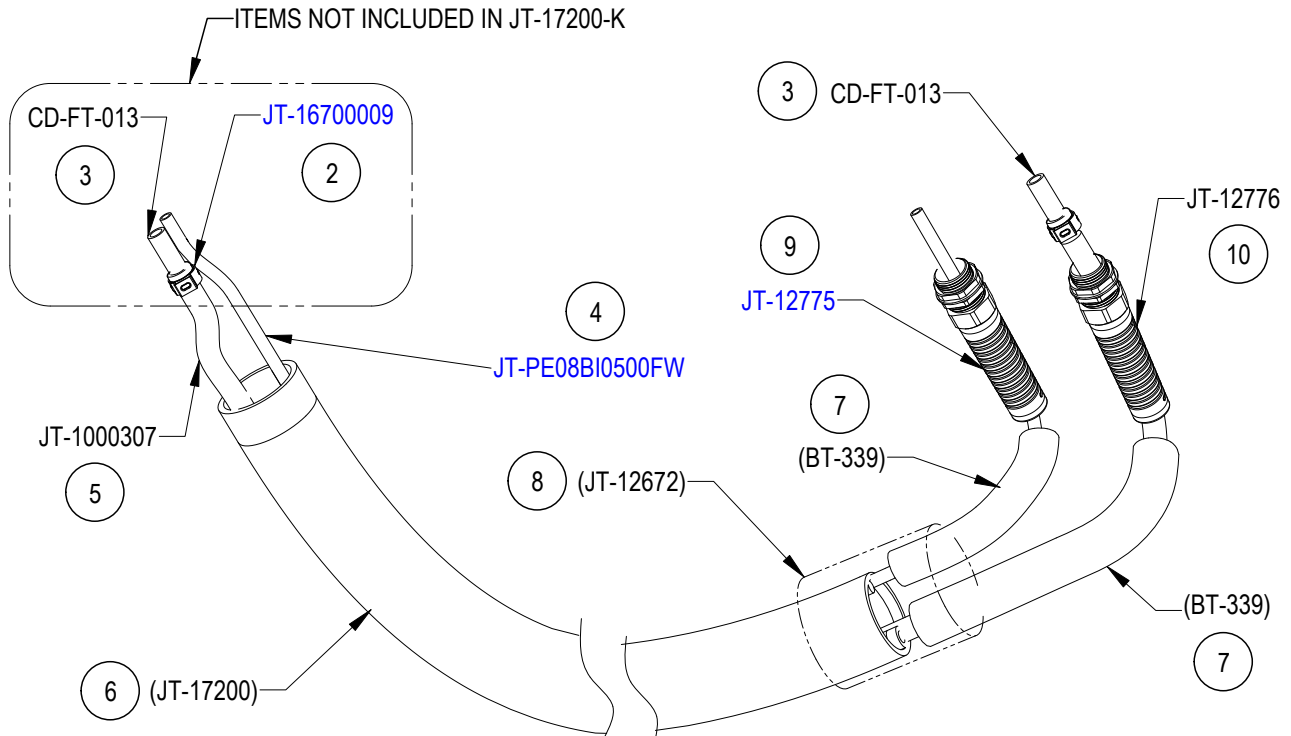


1	JT-16400	TUBING ASSY, FLOWMETER-SOLENOID
2	JT-12554	SOLENOID VALVE SUBASSEMBLY
3	JT-12774	FLOWMETER/SOLENOID ASSEMBLY
4	JT-16267 *	FTNG, OUTLET 3/8"
5	JT-12553 *	FITTING - INLET 3/8"
6	JT-16268 *	FLOWMETER
7	JT-16269 *	SOLENOID
8	CD-FT-091	FITTING, STEM REDUCER, 1/4 TUBE X 3/8 STEM, JG
9	JT-12677	FITTING - 3/8" TUBE TEE - REDUCER TEE
10	RR-34	FITTING - 3/8 ELBOW,JOHN GUEST PIO312S
11	JT-12601	FITTING-6mm X 4mm BARB,JOE TAP
12	RR-25	TUBING, BARRIER - .265" ID X .375" OD

\* ITEMS IN PARENTHESES AND ASTERISK ARE AS PART OF KIT ONLY

# JT-17200-K

1

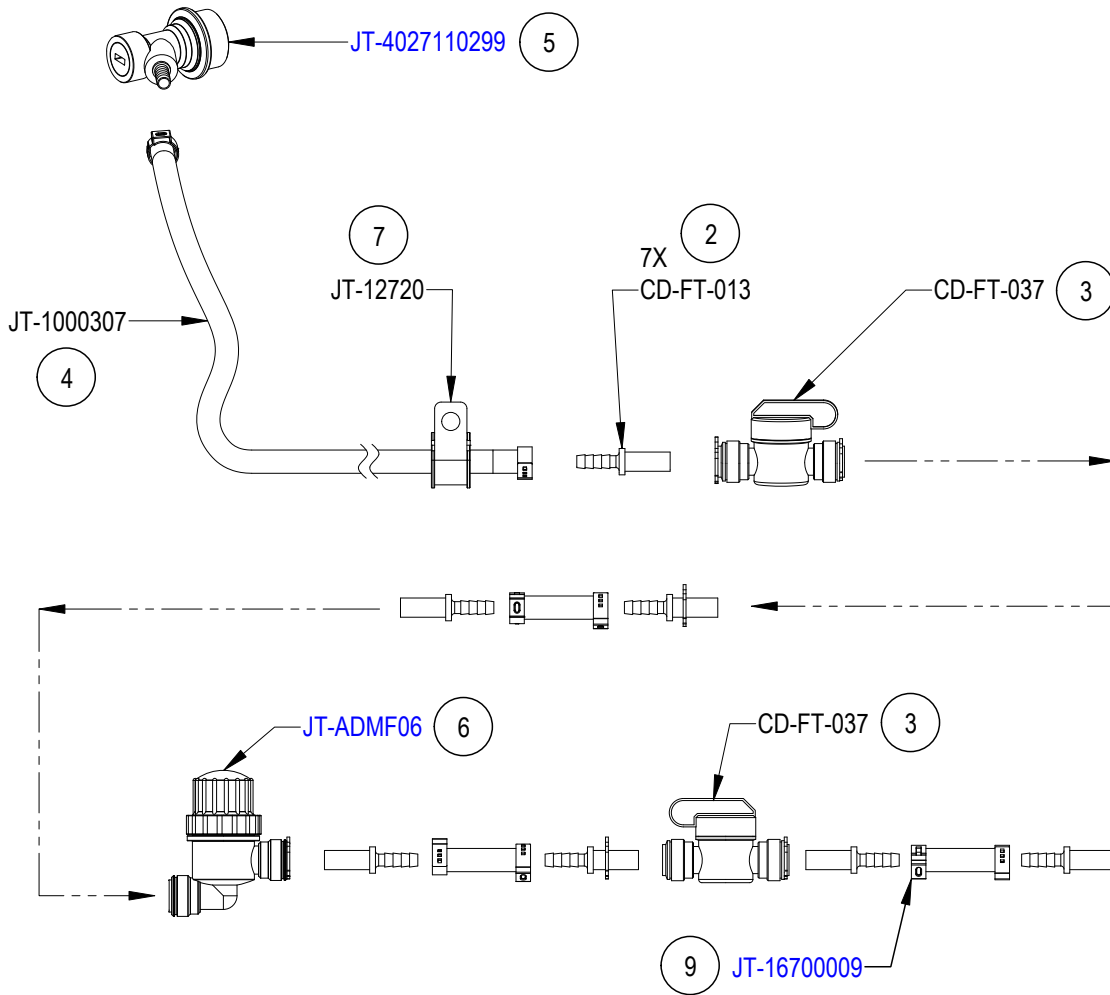


1	JT-17200-K	INSULATED TUBE BUNDLE INSTALLATION KIT
2	JT-16700009	HOSE CLAMP, 15/32, 12.3 MM, SS
3	CD-FT-013	3/8" STEM X 1/4" BARB FITTING
4	JT-PE08BI0500FW	1/4" OD TUBING WHITE
5	JT-1000307	1/4" ID PVC TUBING, CLEAR
6	JT-17200 *	INSULATED TUBE BUNDLE
7	BT-339 *	FOAM TUBING - 1"ID x 70"L, 9LB DENSITY, NPVC
8	JT-12672 *	INSULATION TAPE, 1/8" X 2" X 30'
9	JT-12775	CORD GRIP-CONTINUOUS FLEX-0.2"-0.35"
10	JT-12776	CORD GRIP-CONTINUOUS FLEX-0.25"-0.47"

\* ITEMS IN PARENTHESIS AND ASTERISK ARE AS PART OF KIT ONLY

# JT-16700

1

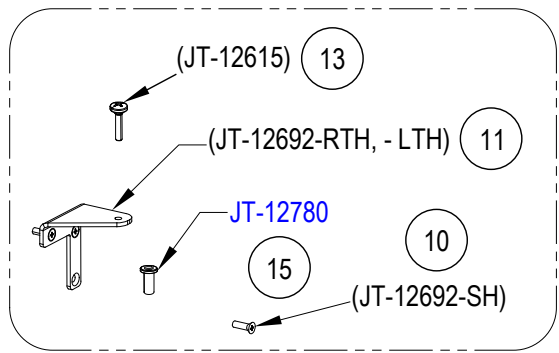


1	JT-16700	GAS DISCONNECT SUB ASSY
2	CD-FT-013	3/8" STEM X 1/4" BARB FITTING
3	CD-FT-037	3/8" x 3/8" PUSH BALL VALVE
4	JT-1000307	1/4" ID PVC TUBING, CLEAR
5	JT-4027110299	1/4" LIQUID DISCONNECT
6	JT-ADMF06	FILTER STRAINER - 3/8" x 3/8", PUSH-IN, 100 MESH
7	JT-12720	CUSHION CLAMP, 3/8"
8	JT-16700009	HOSE CLAMP, 15/32, 12.3 MM, SS

\* ITEMS IN PARENTHESIS AND ASTERISK ARE AS PART OF KIT ONLY

1	JT-CC-RK	JOE TAP CORD CATCHER REPAIR KIT
2	JT-12623 *	PVC CONDUIT
3	JT-12625 *	HALF CLIP, CONDUIT CLAMP
4	JT-12614 *	NYLON SPACER-3/8"-P-CLAMP
5	JT-12617 *	SCREW-#8 X1 1/4 AB BLK PHIL HD-P-CLAMP
6	JT-12739 *	SPIRAL WRAP, 1/2" X 100', POLY, WHITE
7	JT-12692-(KR, -KL)	DOOR STOP-ASSEMBLY KIT (RIGHT-HAND / LEFT-HAND)
8	JT-12613*	SCREW - HINGE DOOR STOPPER
9	JT-12616(-R, -L) *	DOOR STOP-105 DEG, STD DOOR-MODIFIED WITHOUT STOPPER
10	JT-12692-SH *	SCREW-HINGE-FH
11	JT-12692 (RTH, -LTH) *	RHH/LHH TOP HINGE-ASSEM
12	JT-12692-RBHA, -LBHA *	RHH/LHH BOTTOM HINGE
13	JT-12615 *	SCREW - DOOR HINGE PIN-TOP
14	JT-12615-B *	BOTTOM HINGE PIN
15	JT-12780	BUSHING FOR UPPER HINGE PIN

\* ITEMS IN PARENTHESIS AND ASTERISK ARE AS PART OF KIT ONLY



7  
JT-12692-KR, -KL

19  
JT-12777

16 OR 17  
JT-12692-L  
OR JT-12692-R  
(SPECIFY RIGHT or LEFT)

8 (JT-12613)

12 (JT-12692-RBHA, -LBHA)

(JT-12616-R, -L) 9

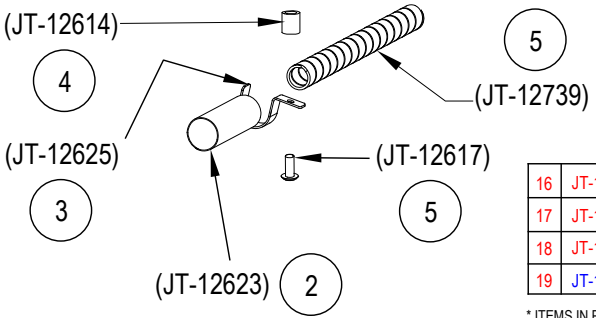
1  
JT-CC-RK

14 (JT-12615-B)

(JT-12614) 4

JT-12720 18

(JT-12617) 5

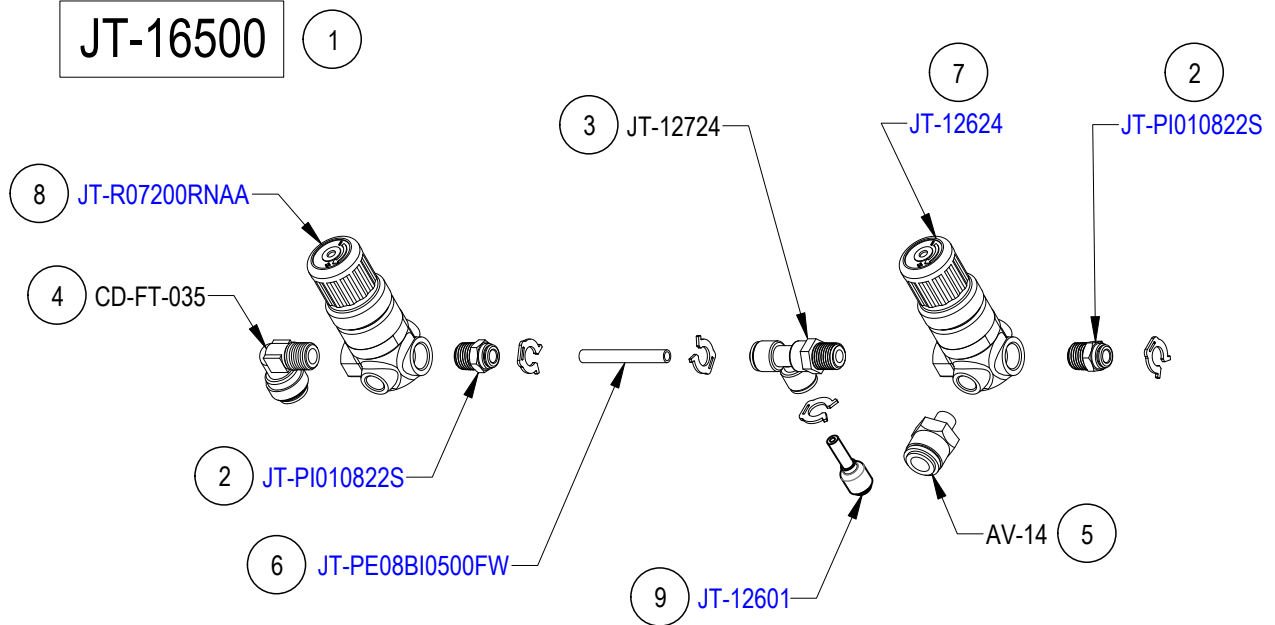


16	JT-12692-L	DOOR ASSY, LEFT HAND, JT-515
17	JT-12692-R	DOOR ASSY, RIGHT HAND, JT-515
18	JT-12720	CUSHION CLAMP, 3/8"
19	JT-12777	DOOR GASKET

\* ITEMS IN PARENTHESIS AND ASTERISK ARE AS PART OF KIT ONLY



# JT-16500



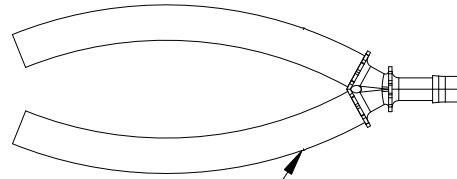
1	JT-16500	PRESSURE REGULATOR TUBING ASSY
2	JT-PI010822S	FTNG, ADAPTER, 1/4" STEM x 1/4" THRD, MALE
3	JT-12724	FITTING - SWIVEL MALE TEE 1/4"NPTF
4	CD-FT-035	1/4 MT X 3/8 TUBE, JOHN GUEST FXD EL
5	AV-14	FITTING - 3/8 TUBE X 1/8 NPTF
6	JT-PE08BI0500FW	1/4" OD TUBING WHITE
7	JT-12624	REGULATOR, 1/4" NPT, 5-50 PSI
8	JT-R07200RNAA	REGULATOR, 1/4" NPT, 1-10 PSI
9	JT-12601	FITTING-6mm X 4mm BARB, JOE TAP

\* ITEMS IN PARENTHESIS AND ASTERISK ARE AS PART OF KIT ONLY

# JT-NIT-CK

1

3 JT-12601



2 (JT-12711)

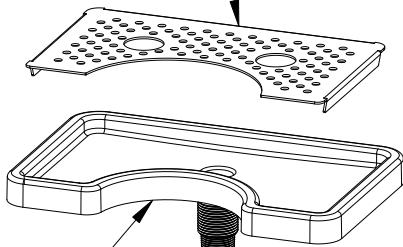
1	JT-NIT-CK	COMPACT NITRO CLEANING KIT
2	JT-12711 *	CLEANING Y-TUBE
3	KAY-5	KAY-5 SANITIZER PACKET, 1 OZ

\* ITEMS IN PARENTHESIS AND ASTERISK ARE AS PART OF KIT ONLY

# JT-16300

4

JT-16305 6



5 (JT-12712)

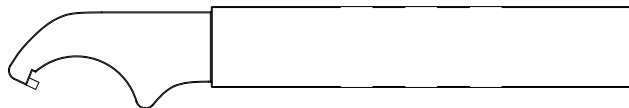
7 (JT-16302)

4	JT-16300	DRIP TRAY
5	JT-12712 *	DRIP TRAY BASIN WITH DRAIN FTG
6	JT-16305	DRIP TRAY PLATE (16 GA OR 18 GA)
7	JT-16302 *	NUT, MOUNTING, 1-1/4"-12 THD

\* ITEMS IN PARENTHESIS AND ASTERISK ARE AS PART OF KIT ONLY

# JT-12549

8

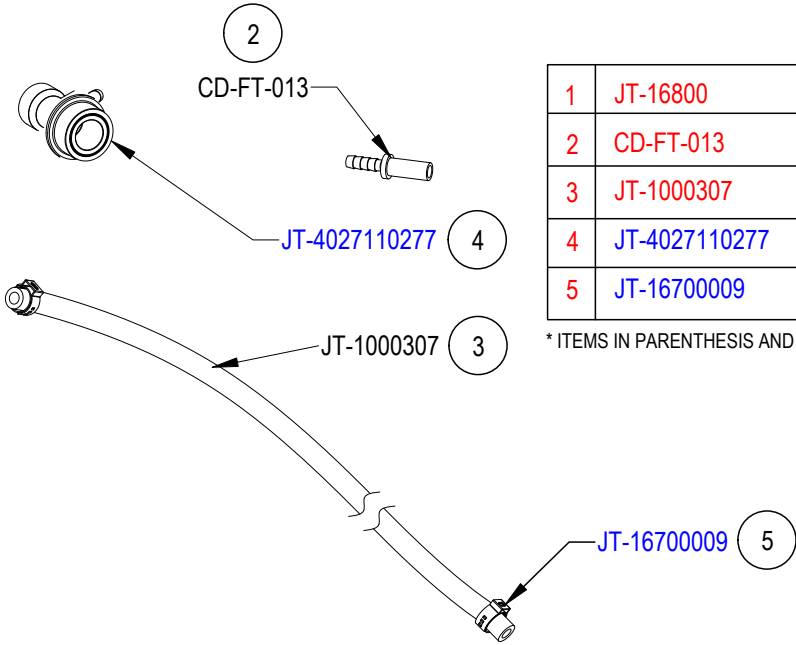


8	JT-12549	FAUCET SPANNER WRENCH
---	----------	-----------------------

\* ITEMS IN PARENTHESIS AND ASTERISK ARE AS PART OF KIT ONLY

# JT-16800

1

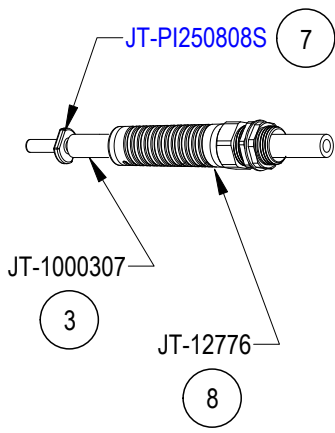


1	JT-16800	GAS DISCONNECT SUB-ASSY
2	CD-FT-013	3/8" STEM X 1/4" BARB FITTING
3	JT-1000307	1/4" ID PVC TUBING, CLEAR
4	JT-4027110277	1/4" GAS DISCONNECT
5	JT-16700009	HOSE CLAMP, 15/32, 12.3 MM, SS

\* ITEMS IN PARENTHESIS AND ASTERISK ARE AS PART OF KIT ONLY

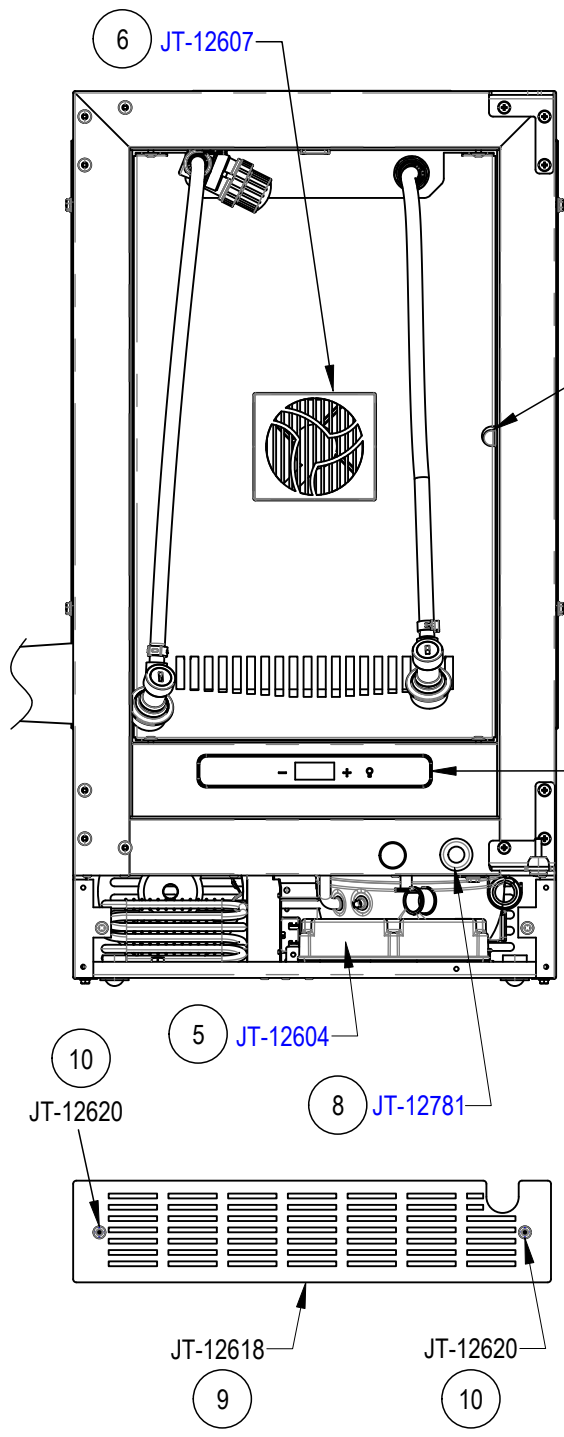
# JT-17500

6



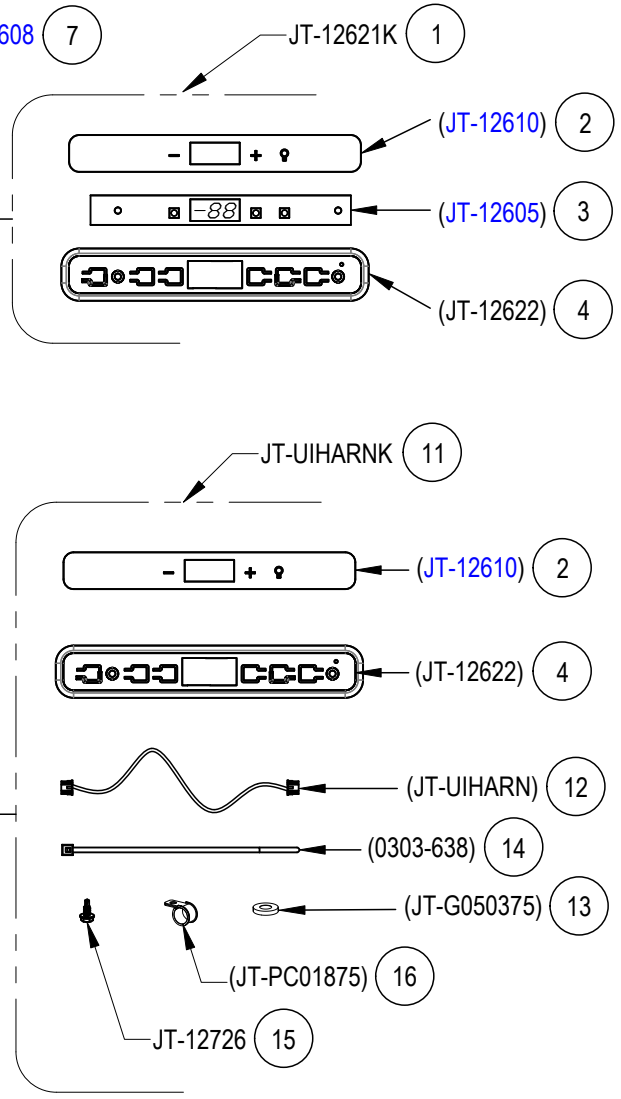
6	JT-17500 *	NITROGEN SUPPLY TUBING ASSEMBLY
7	JT-PI250808S	TUBE TO HOSE, 1/4" BARB x 1/4" STEM
8	JT-12776	CORD GRIP-CONTINUOUS FLEX-0.25"-0.47"

\* ITEMS IN PARENTHESIS AND ASTERISK ARE AS PART OF KIT ONLY



1	JT-12621K	UI BOARD REPLACEMENT KIT
2	JT-12610 *	UI OVERLAY
3	JT-12605 *	DISPLAY ASSEMBLY/FRONT CONTROLLER-UI BOARD
4	JT-12622 *	PLASTIC BRACKET/BRACKET-FRONT DISPLAY SECURE (UI Housing front)

\* ITEMS IN PARENTHESIS AND ASTERISK ARE AS PART OF KIT ONLY

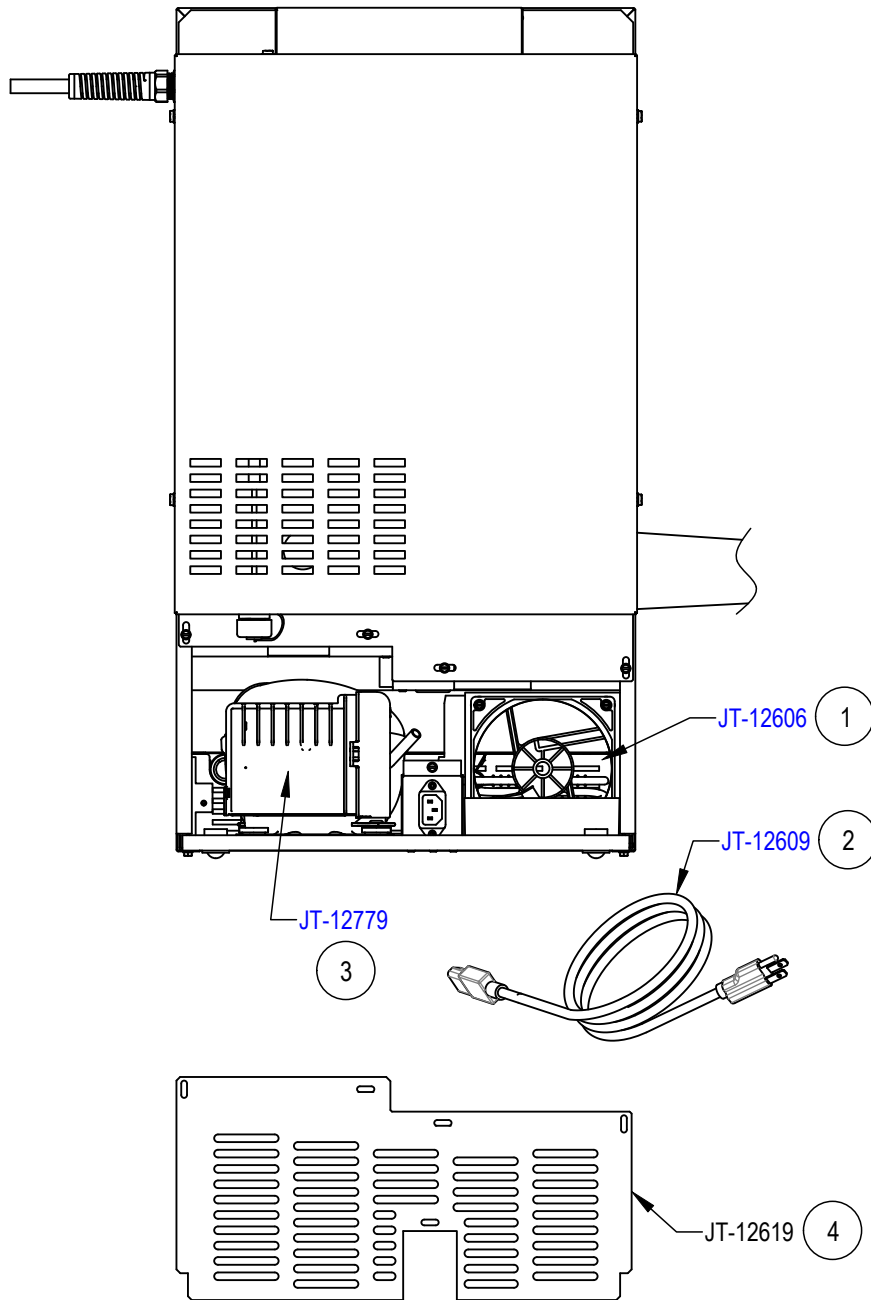


5	JT-12604	MAIN BOARD JADE515-SSXXA
6	JT-12607	FAN-EVAPORATOR, JOE TAP NITRO
7	JT-12608	THERMISTOR
8	JT-12781	PLUNGER SWITCH, DOOR
9	JT-12618	GRILL, FRONT-BOTTOM
10	JT-12620	SCREWS, FRONT GRILL

\* ITEMS IN PARENTHESIS AND ASTERISK ARE AS PART OF KIT ONLY

11	JT-UIHARNK	UI HARNESS REPLACEMENT KIT
12	JT-UIHARN *	DISPLAY WIRE
13	JT-G050375 *	GROMMET 1/2"HOLE 3/8"ID SBR
14	0303-638 *	CABLE TIE-6"
15	JT-12726	#10-16 X 1/2 LG, SCREW, SELF-TAPPING, HEX HEAD, SS
16	JT-PC01875 *	P-CLAMP - 3/16" ID

\* ITEMS IN PARENTHESIS AND ASTERISK ARE AS PART OF KIT ONLY



1	JT-12606	CONDENSER FAN
2	JT-12609	POWER CORD
3	JT-12779	INVERTER, 120V DROP-IN
4	JT-12619	BACK PANEL, BOTTOM

\* ITEMS IN PARENTHESIS AND ASTERISK ARE AS PART OF KIT ONLY