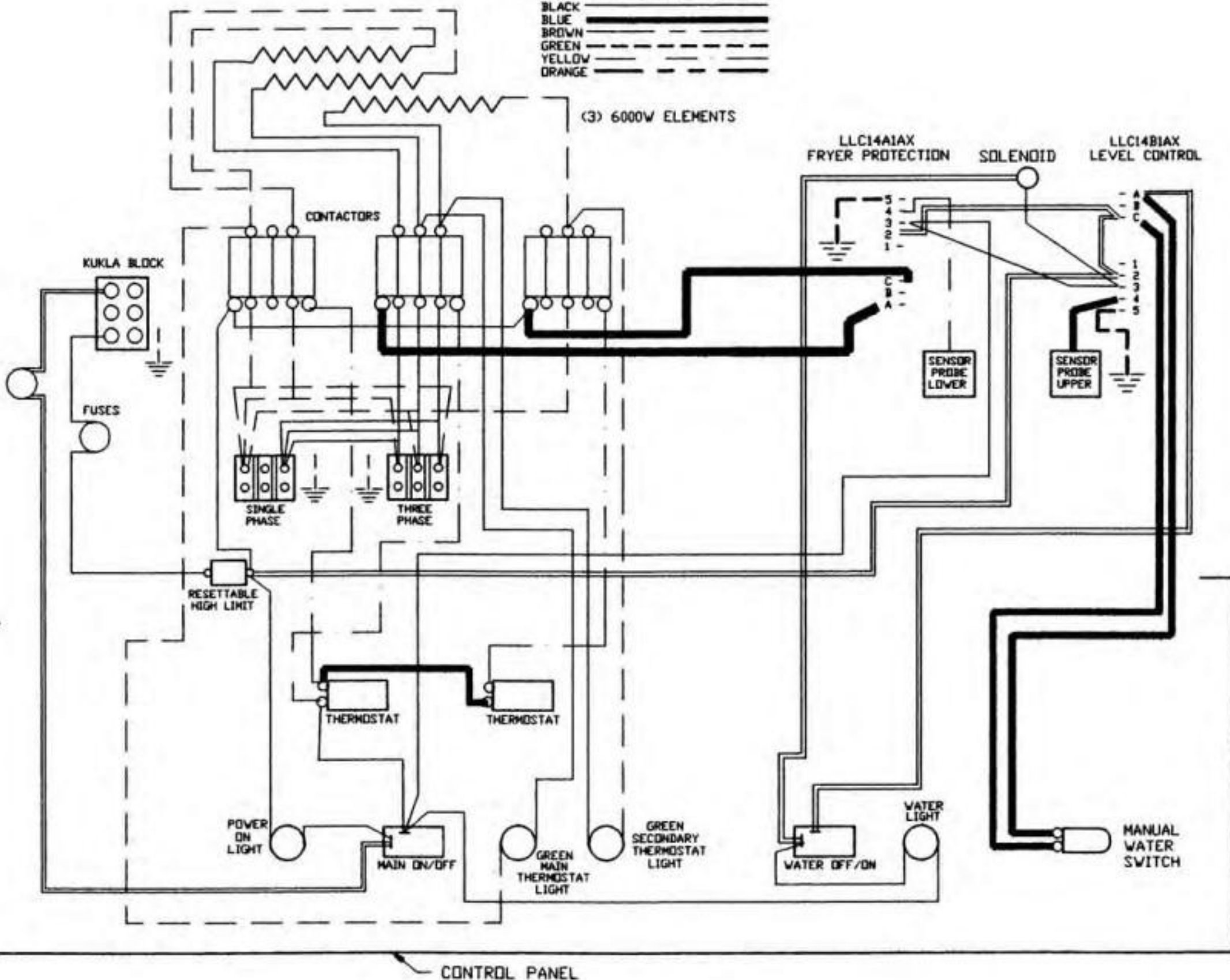
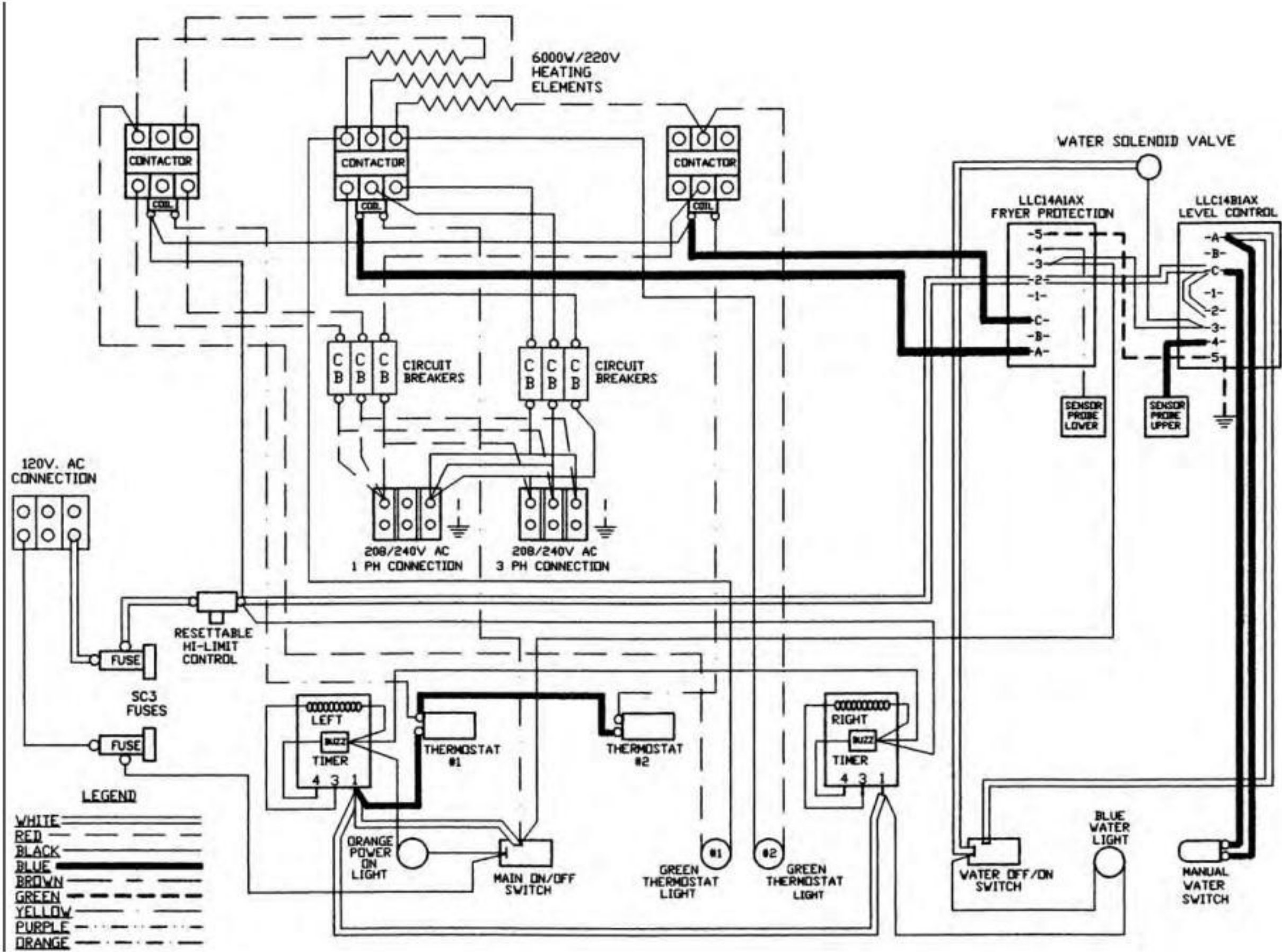




LEGEND

WHITE	—————
RED	—————
BLACK	—————
BLUE	—————
BROWN	—————
GREEN	—————
YELLOW	—————
ORANGE	—————





6000W/220V  
HEATING  
ELEMENTS

WATER SOLENOID VALVE

LLC14AIAX  
FRYER PROTECTION

LLC14BIAX  
LEVEL CONTROL

C B C  
C B C  
CIRCUIT  
BREAKERS

C B C  
C B C  
CIRCUIT  
BREAKERS

208/240V AC  
1 PH CONNECTION

208/240V AC  
3 PH CONNECTION

120V. AC  
CONNECTION

RESETTABLE  
HI-LIMIT  
CONTROL

FUSE

SC3  
FUSES

FUSE

LEGEND

- WHITE ———
- RED - - - - -
- BLACK ———
- BLUE ———
- BROWN - - - - -
- GREEN - - - - -
- YELLOW ·····
- PURPLE ·····
- ORANGE - - - - -

LEFT  
TIMER

RIGHT  
TIMER

THERMOSTAT  
#1

THERMOSTAT  
#2

ORANGE  
POWER  
ON  
LIGHT

MAIN ON/OFF  
SWITCH

GREEN THERMOSTAT  
LIGHT #1

GREEN THERMOSTAT  
LIGHT #2

WATER OFF/ON  
SWITCH

BLUE  
WATER  
LIGHT

MANUAL  
WATER  
SWITCH

SENSOR  
PROBE  
LOWER

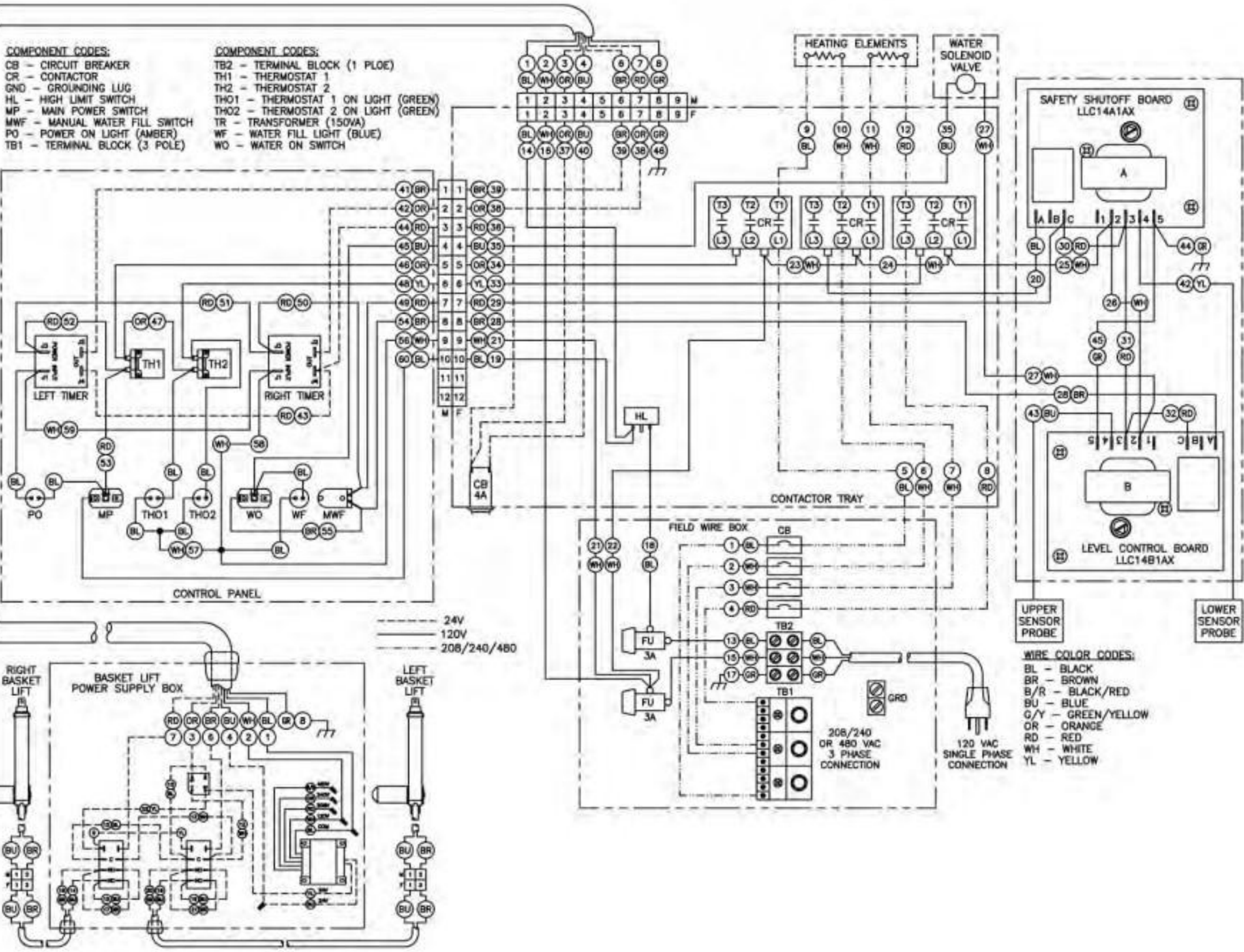
SENSOR  
PROBE  
UPPER

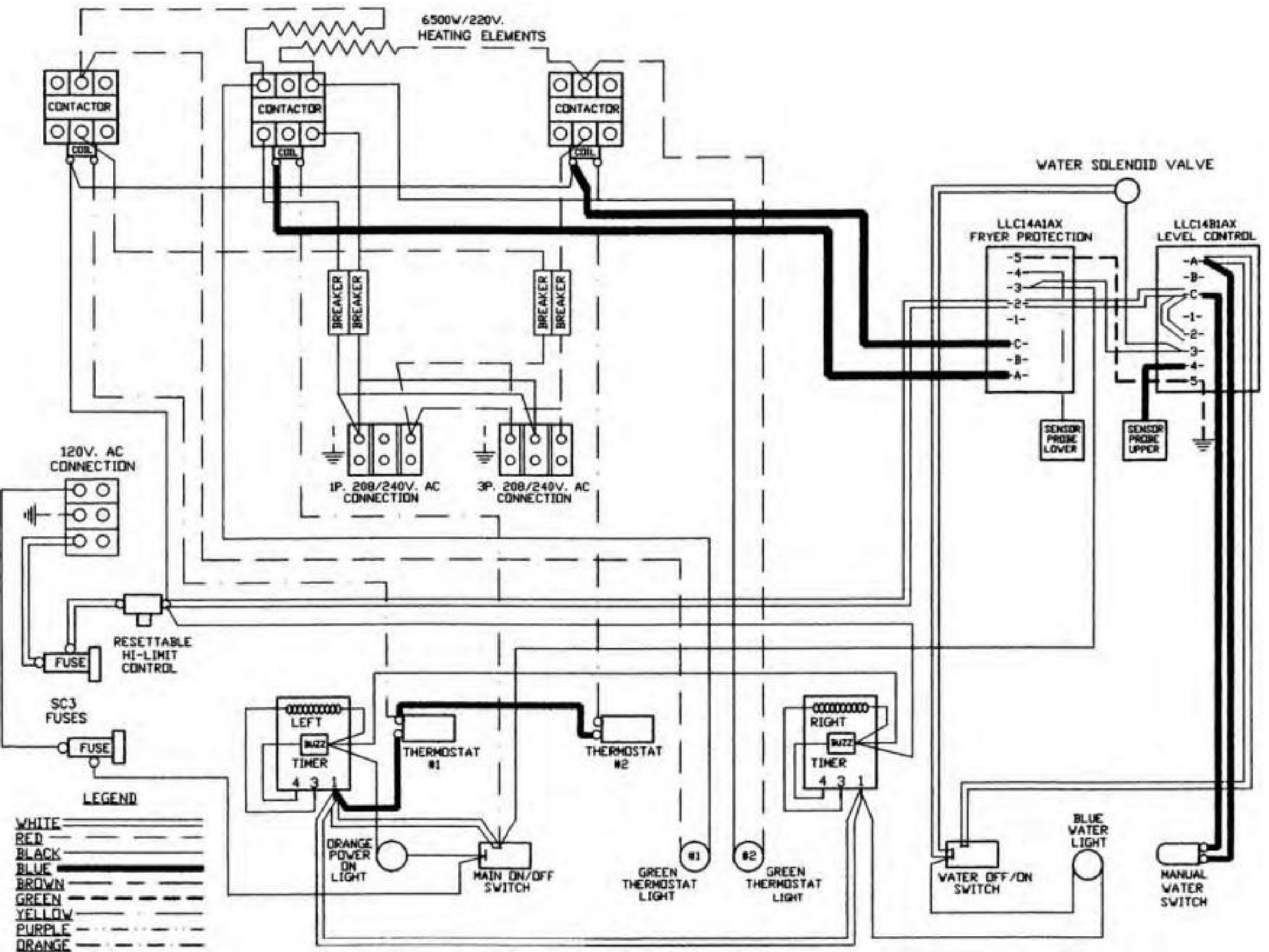
**COMPONENT CODES:**

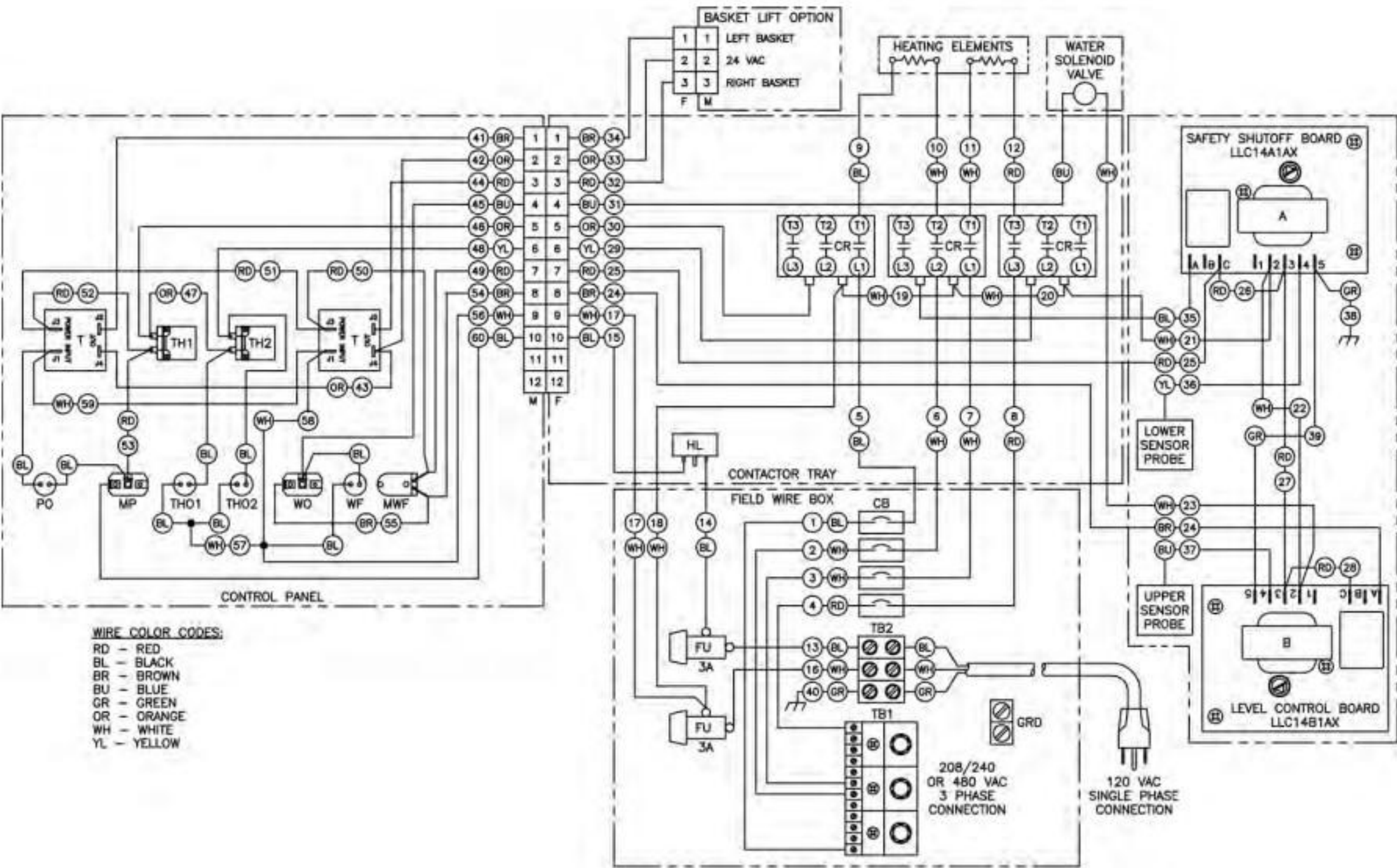
- CB - CIRCUIT BREAKER
- CR - CONTACTOR
- GND - GROUNDING LUG
- HL - HIGH LIMIT SWITCH
- MP - MAIN POWER SWITCH
- MWF - MANUAL WATER FILL SWITCH
- PO - POWER ON LIGHT (AMBER)
- TB1 - TERMINAL BLOCK (3 POLE)

**COMPONENT CODES:**

- TB2 - TERMINAL BLOCK (1 PLOE)
- TH1 - THERMOSTAT 1
- TH2 - THERMOSTAT 2
- THO1 - THERMOSTAT 1 ON LIGHT (GREEN)
- THO2 - THERMOSTAT 2 ON LIGHT (GREEN)
- TR - TRANSFORMER (150VA)
- WF - WATER FILL LIGHT (BLUE)
- WO - WATER ON SWITCH

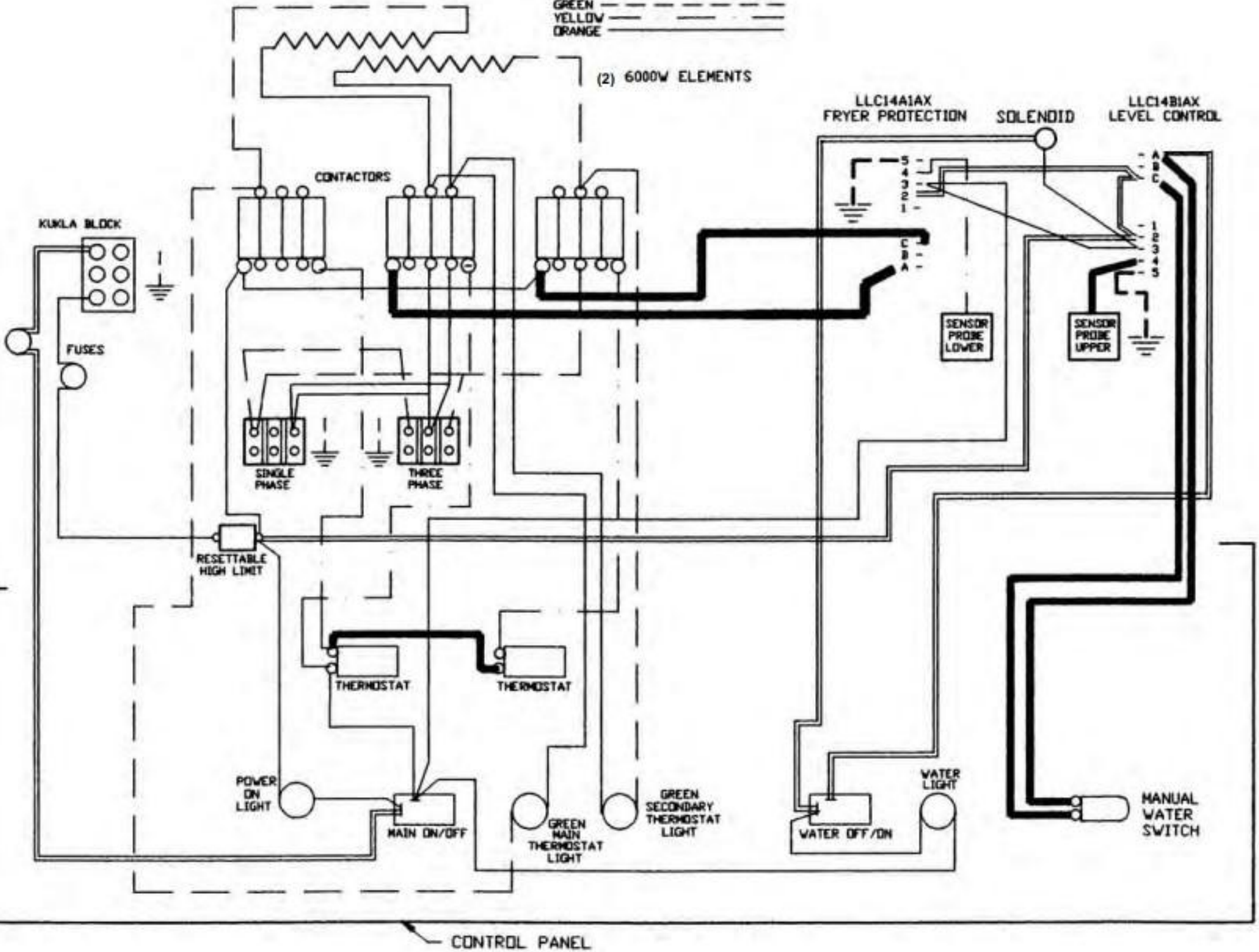






LEGEND

WHITE	—————
RED	- - - - -
BLACK	—————
BLUE	—————
BROWN	- - - - -
GREEN	—————
YELLOW	- - - - -
ORANGE	—————



(2) 6000W ELEMENTS

LLC14A1AX  
FRYER PROTECTION

SOLENOID

LLC14B1AX  
LEVEL CONTROL

KUKLA BLOCK

FUSES

CONTACTORS

SINGLE PHASE

THREE PHASE

RESETTABLE  
HIGH LIMIT

THERMOSTAT

THERMOSTAT

POWER  
ON LIGHT

MAIN ON/OFF

GREEN  
MAIN  
THERMOSTAT  
LIGHT

GREEN  
SECONDARY  
THERMOSTAT  
LIGHT

WATER OFF/ON

WATER  
LIGHT

MANUAL  
WATER  
SWITCH

SENSOR  
PROBE  
LOWER

SENSOR  
PROBE  
UPPER

CONTROL PANEL