

COMPONENT CODES:

- A - ACTUATOR
- BR - BRIDGE RECTIFIER
- R - RELAY 24VAC
- TR - TRANSFORMER (100VA)

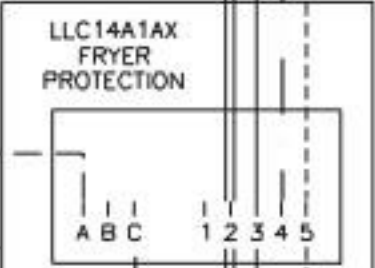
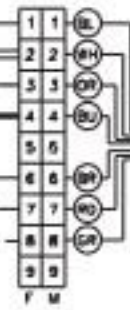
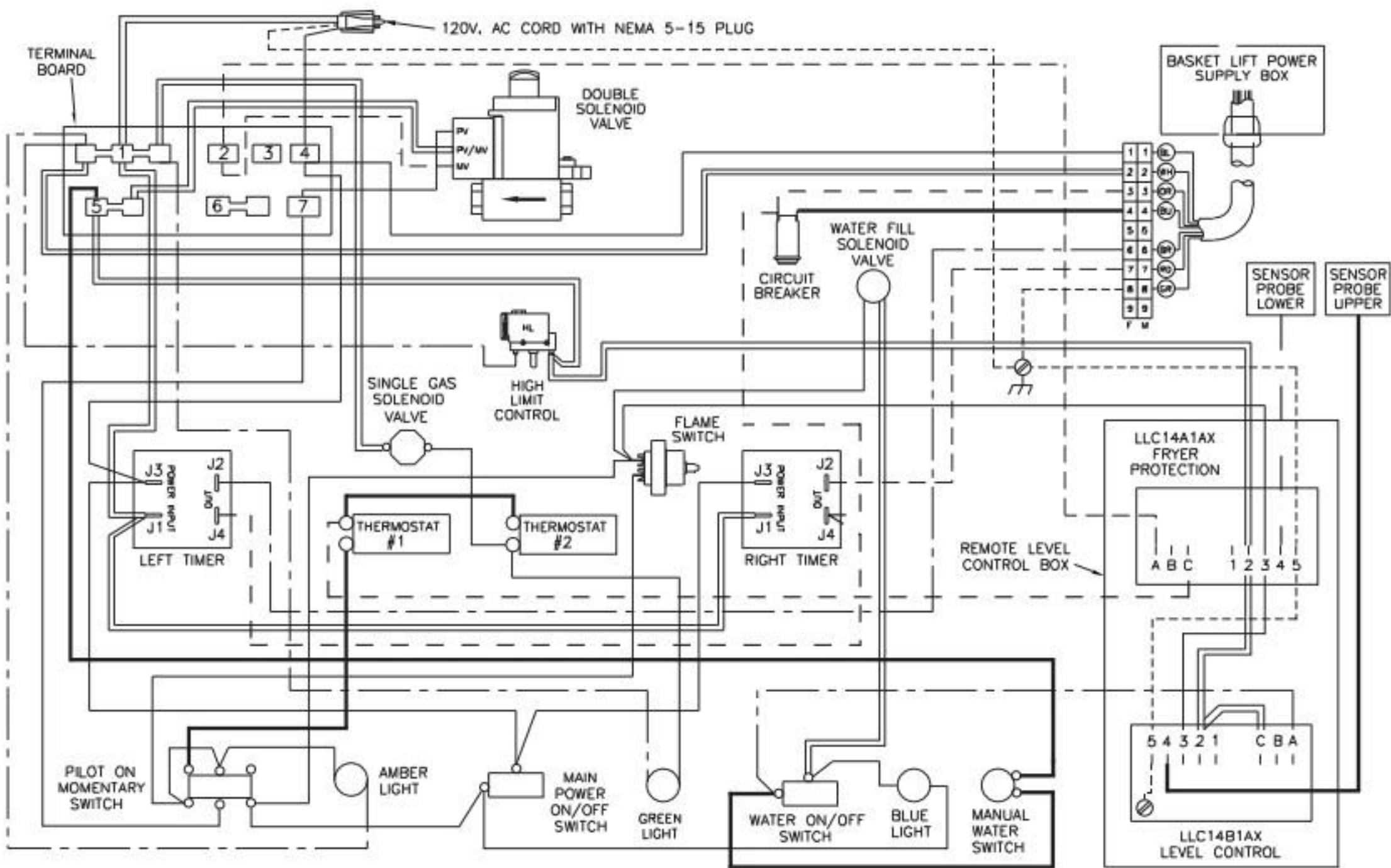
WIRE COLOR CODES:

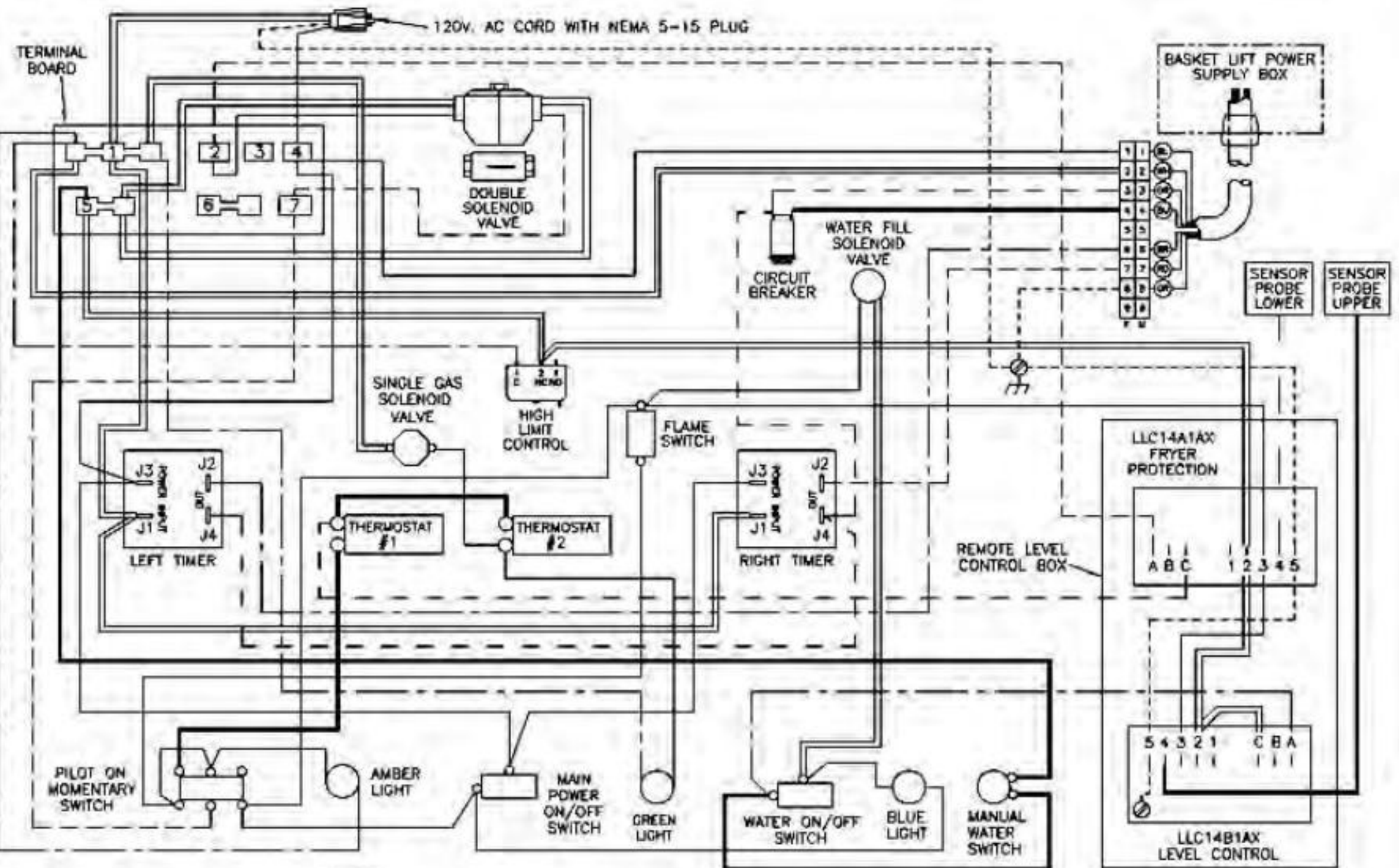
- BL - BLACK
- BR - BROWN
- B/R - BLACK/RED
- BU - BLUE
- GR - GREEN
- OR - ORANGE
- RD - RED
- WH - WHITE
- YL - YELLOW

----- 120 VAC
 _____ 24 VAC & VDC

NOTES:

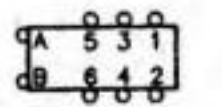
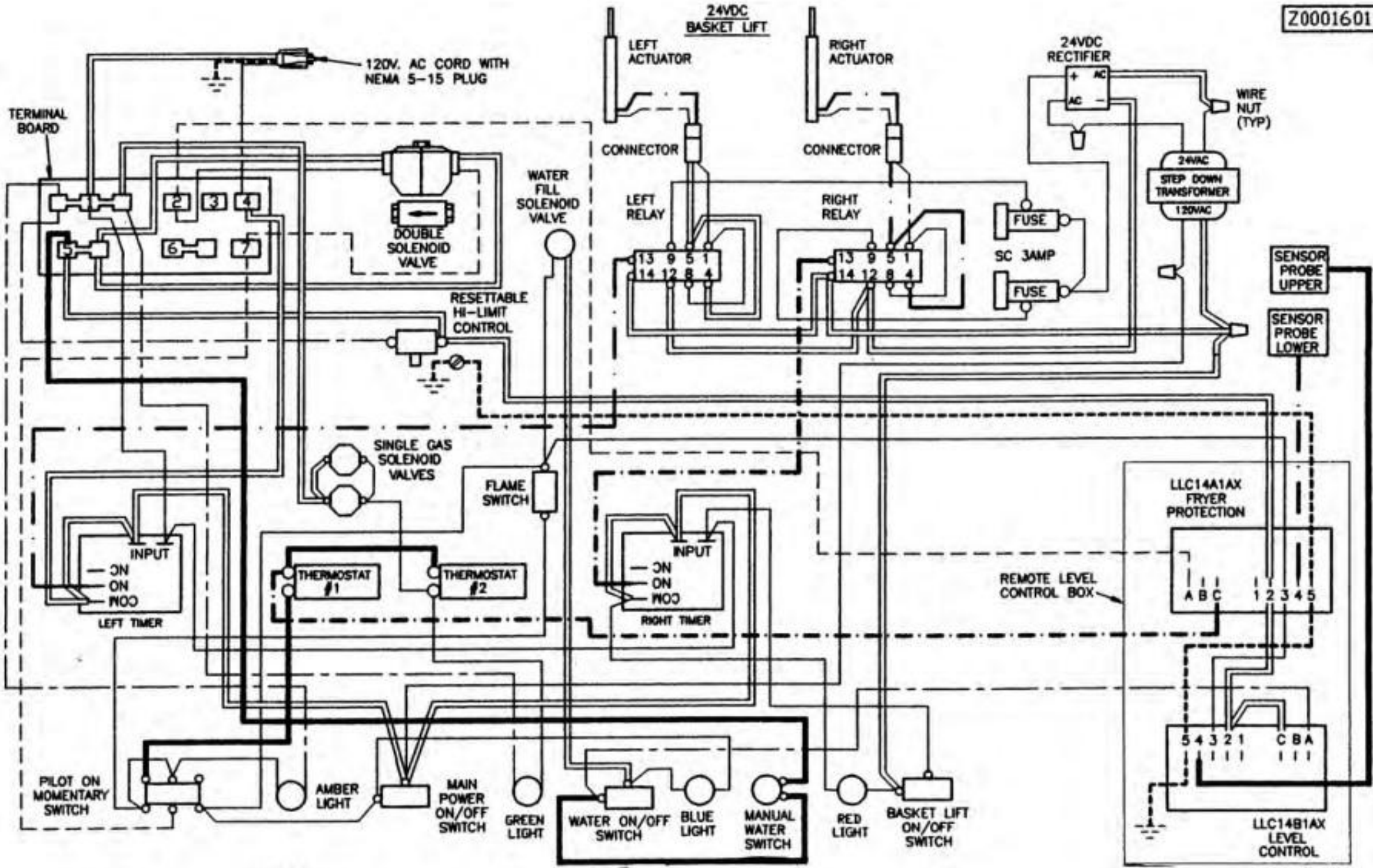
1. ALL WIRES ARE 18 AWG.
2. THIS DIAGRAM SHOWN 120 VAC SUPPLY VOLTAGE.
3. SEE CUSTOMER'S ORDER FOR THE CORRECT SUPPLY VOLTAGE, AND WIRE THE PRIMARY SIDE OF THE TRANSFORMER ACCORDINGLY.





LEGEND

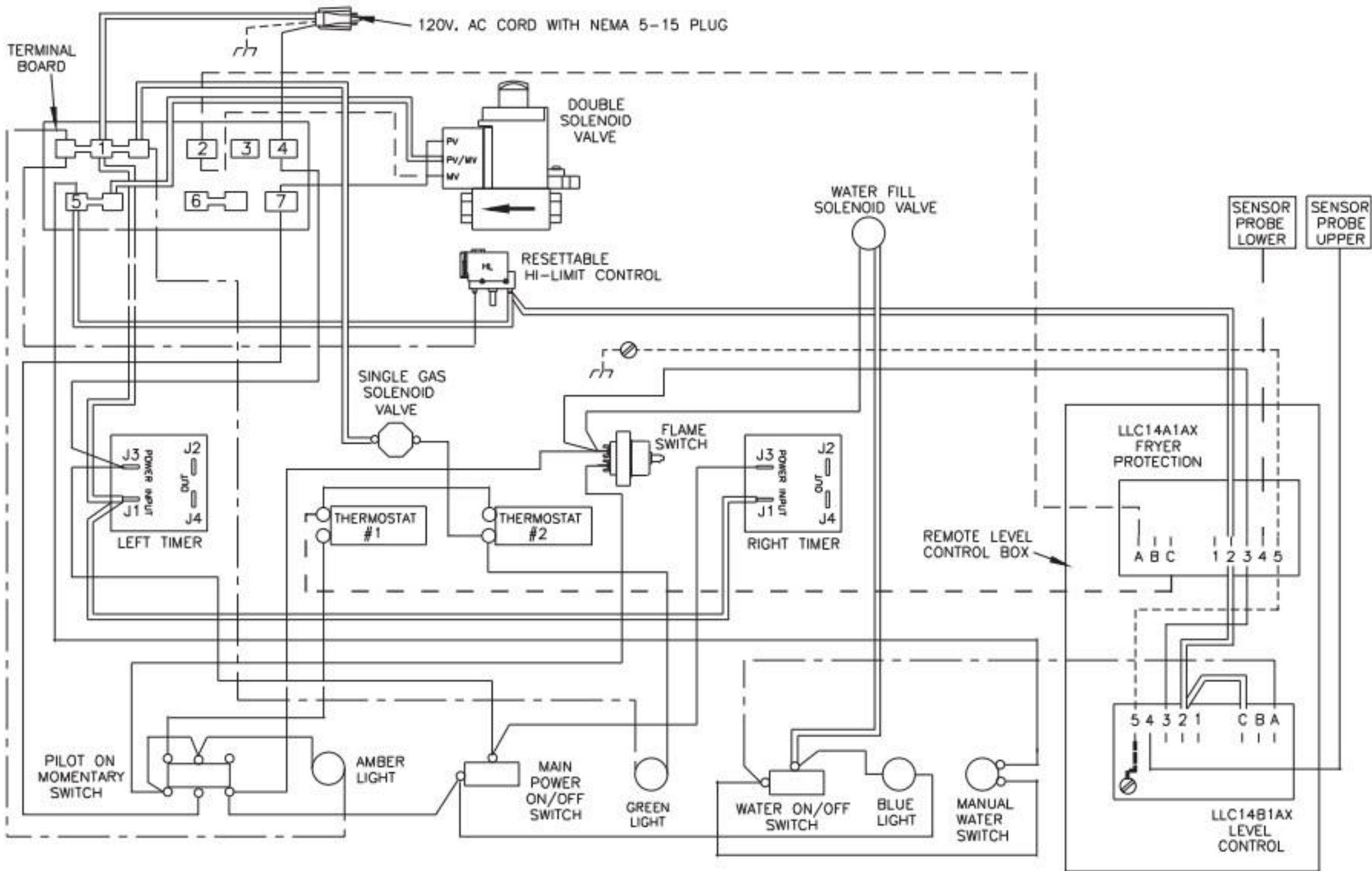
- WHITE
- RED
- BLACK
- BLUE
- BROWN
- GREEN
- YELLOW
- PURPLE
- ORANGE

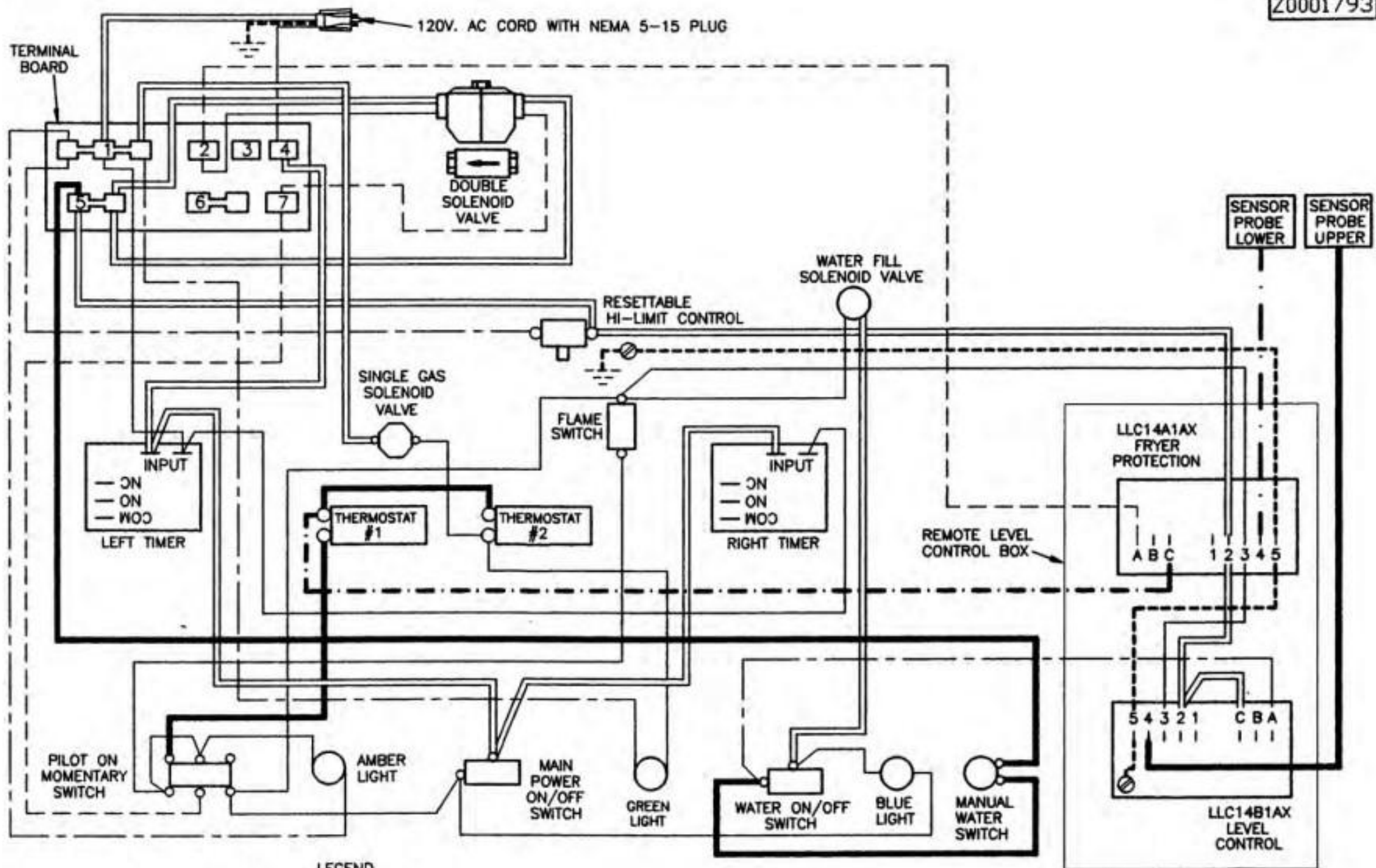


ALTERNATE RELAY
TERMINAL MARKING.
NOTE: RELAYS HAVE
120VAC COILS.

LEGEND

- WHITE —————
- RED - - - - -
- BLACK —————
- BLUE —————
- BROWN —————
- GREEN - - - - -
- YELLOW —————
- PURPLE - - - - -
- ORANGE - - - - -





LEGEND

- WHITE ————
- RED - - - - -
- BLACK ————
- BLUE ————
- BROWN ————
- GREEN - - - - -
- YELLOW - - - - -
- PURPLE - - - - -
- ORANGE - - - - -