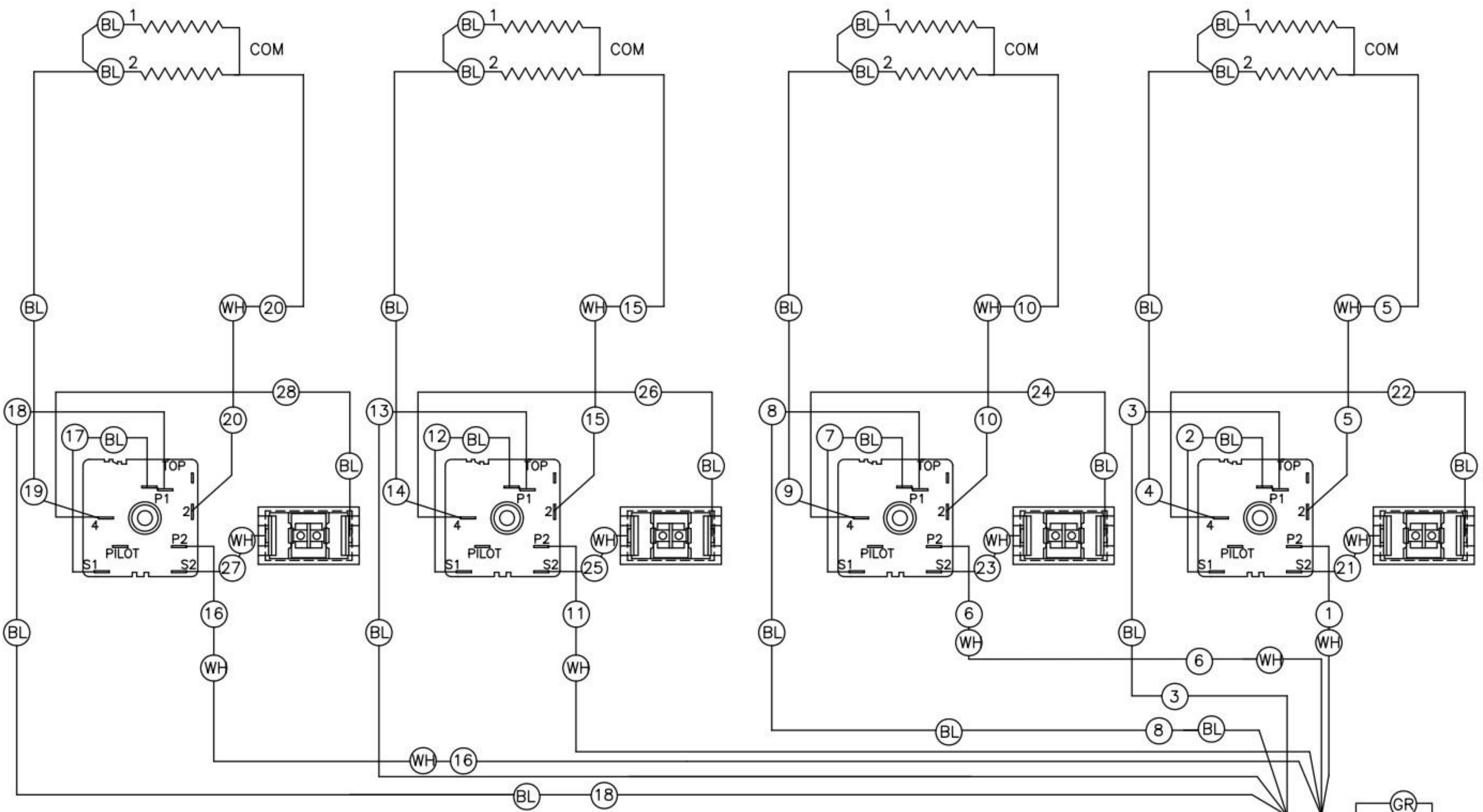
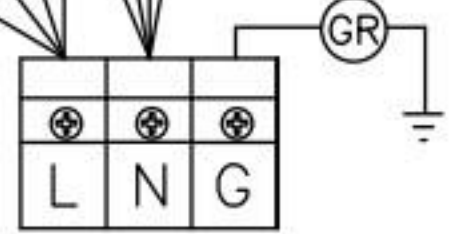


WIRES COLOR CODE:

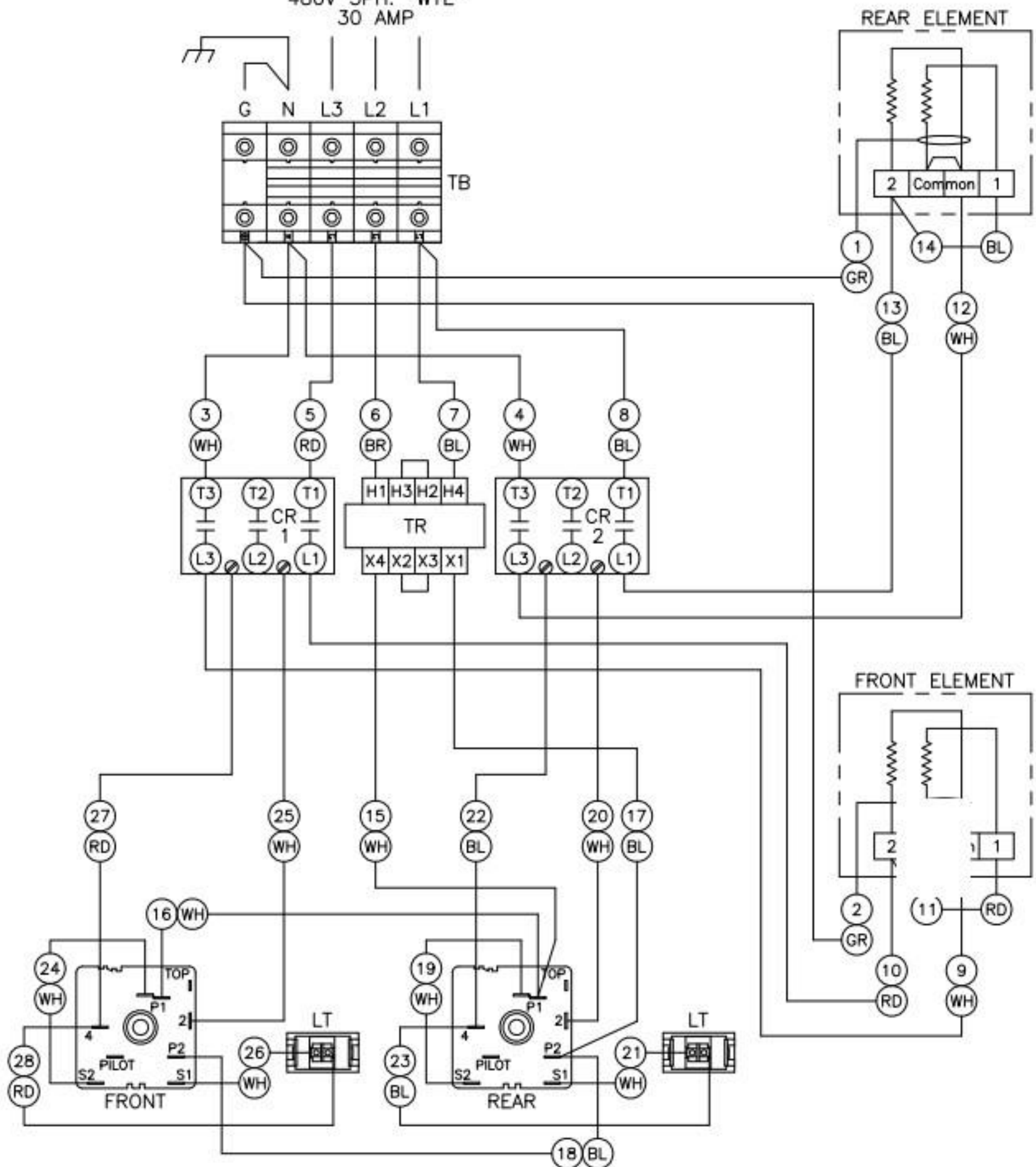
- WH -- WHITE
- BL -- BLACK
- RD -- RED
- GR -- GREEN



WIRES COLOR CODE:
 WH -- WHITE
 BL -- BLACK
 GR -- GREEN



SUPPLY VOLTAGE MUST BE
480V 3PH. "WYE"
30 AMP

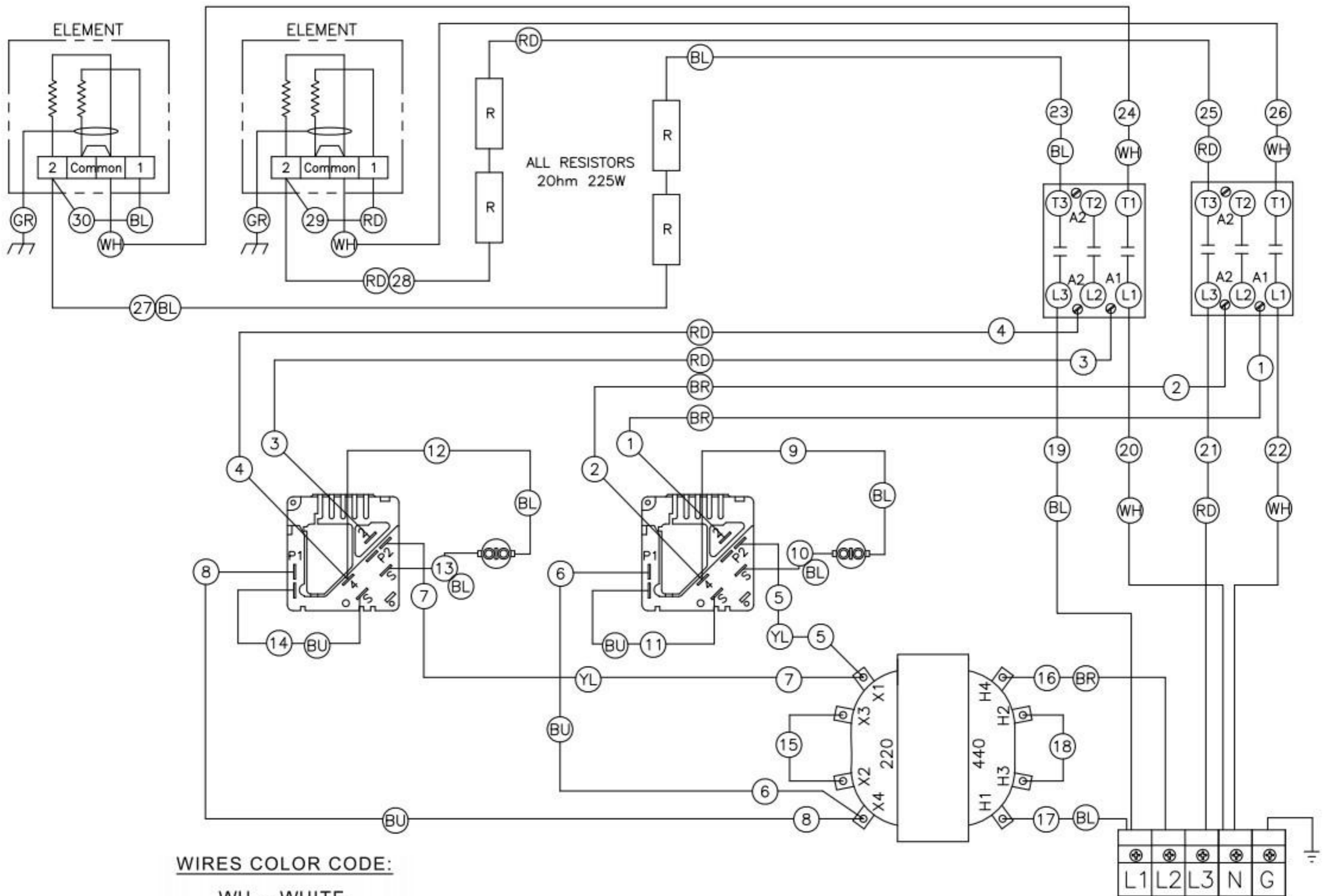


WIRES COLOR CODE:

BL -- BLACK
BR -- BROWN
GR -- GREEN
RD -- RED
WH -- WHITE

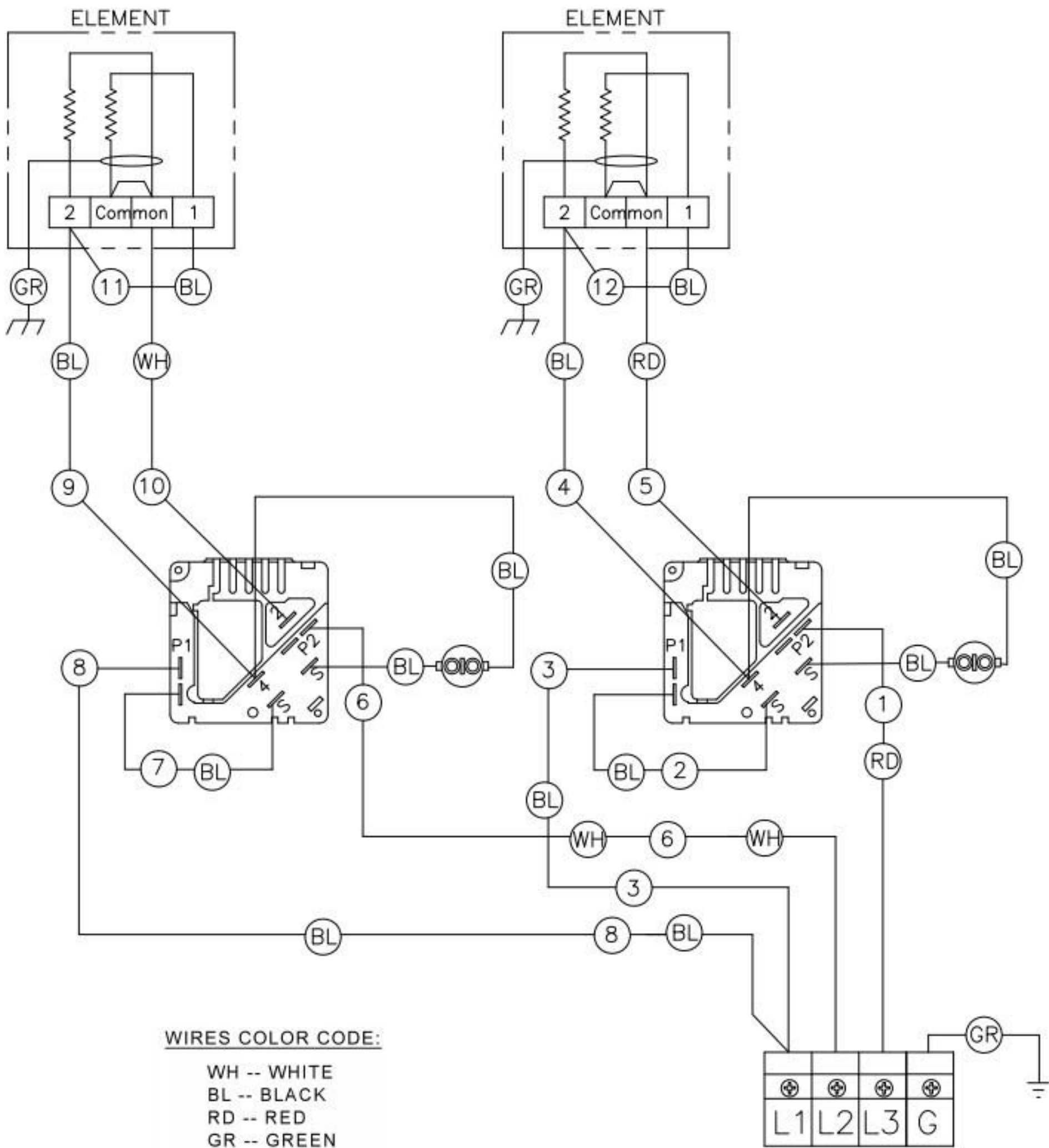
COMPONENT CODE:

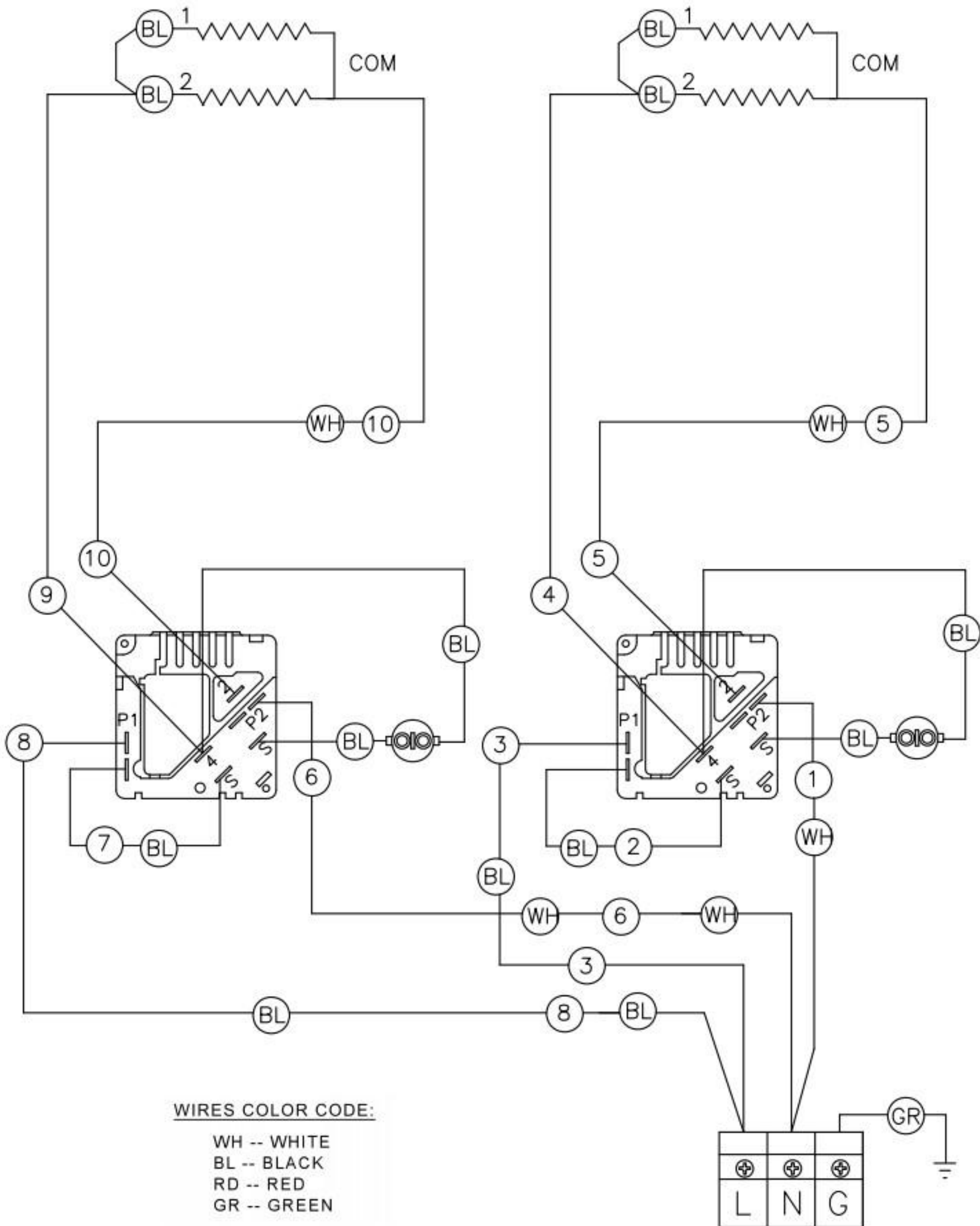
CR -- CONTRACTOR 240VAC
LT -- LIGHT (AMBER)
TB -- TERMINAL BLOCK
TR -- TRANSFORMER



WIRES COLOR CODE:

- WH -- WHITE
- BL -- BLACK
- RD -- RED
- BU -- BLUE
- BR -- BROWN
- OR -- ORANGE
- YL -- YELLOW
- GR -- GREEN





WIRES COLOR CODE:

WH -- WHITE
 BL -- BLACK
 RD -- RED
 GR -- GREEN