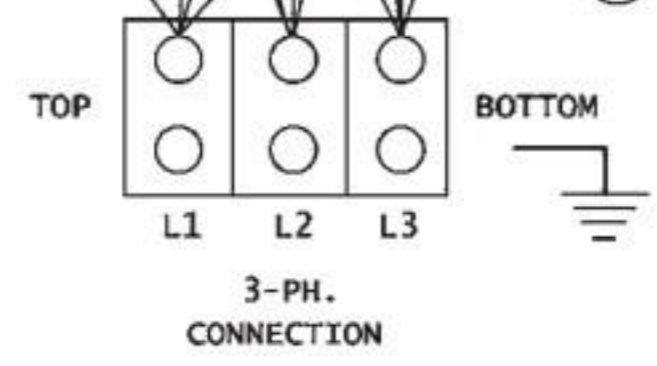
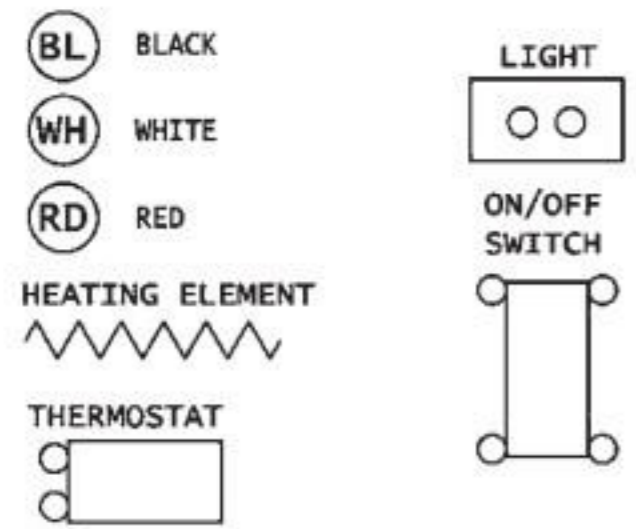
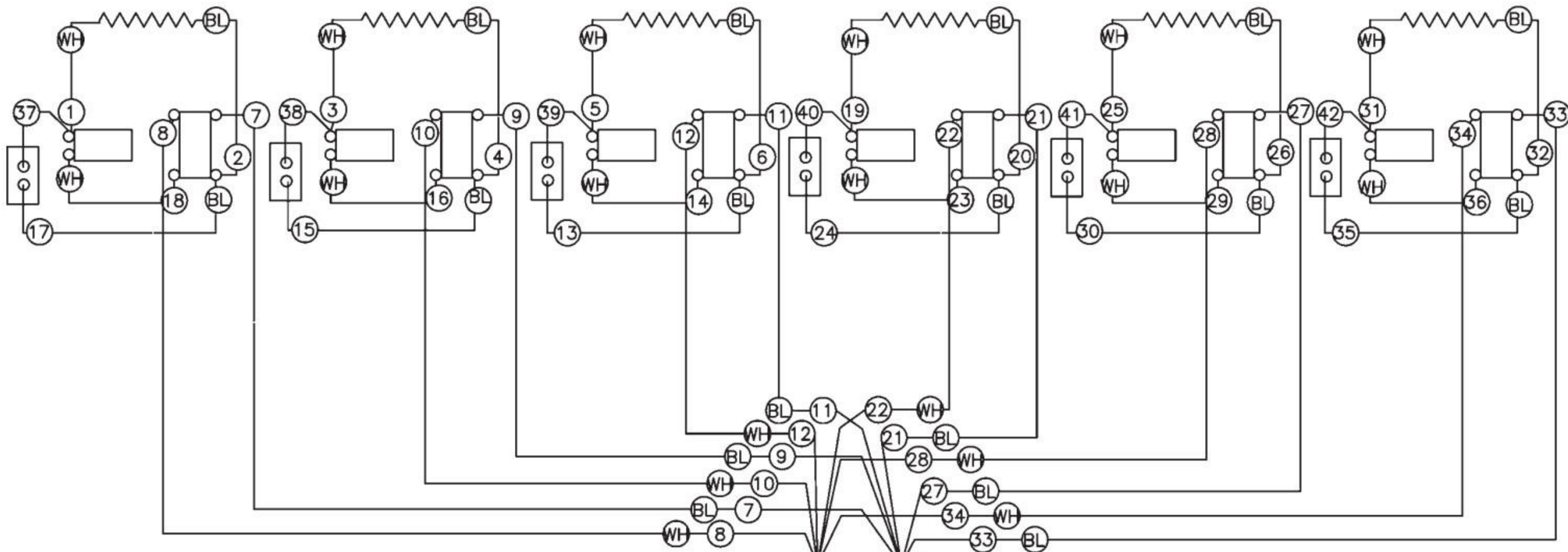


NOTE:

- 1) THIS WIRE DIAGRAM CAN BE USED FOR 2, 3, 4, 5, AND 6 ELEMENTS FOR 3- PHASE.
- 2) WITH SMALLER NUMBER OF ELEMENTS WORK FROM LEFT TO RIGHT.
- 3) BLACK WIRES GO TO L1 AS SHOWN.
- 4) WHITE WIRES GO TO L2 AS SHOWN.
- 5) RED WIRES GO TO L3 AS SHOWN.

LEGEND





NOTE:

- 1) THIS WIRE DIAGRAM CAN BE USED FOR 2, 3, 4, 5, AND 6 ELEMENTS FOR 1-PHASE.
- 2) WITH SMALLER NUMBER OF ELEMENTS WORK FROM LEFT TO RIGHT.
- 3) WHITE WIRES GO TO L1 AS SHOWN.
- 4) BLACK WIRES GO TO L3 AS SHOWN.

LEGEND

