

NOTE: THIS DRAWING SHOWS A AUTO TOP-SIDE COOKER ON A 480V ELECTRIC GRIDDLE WITH ONE HEATING ELEMENT CIRCUIT SHOWN.

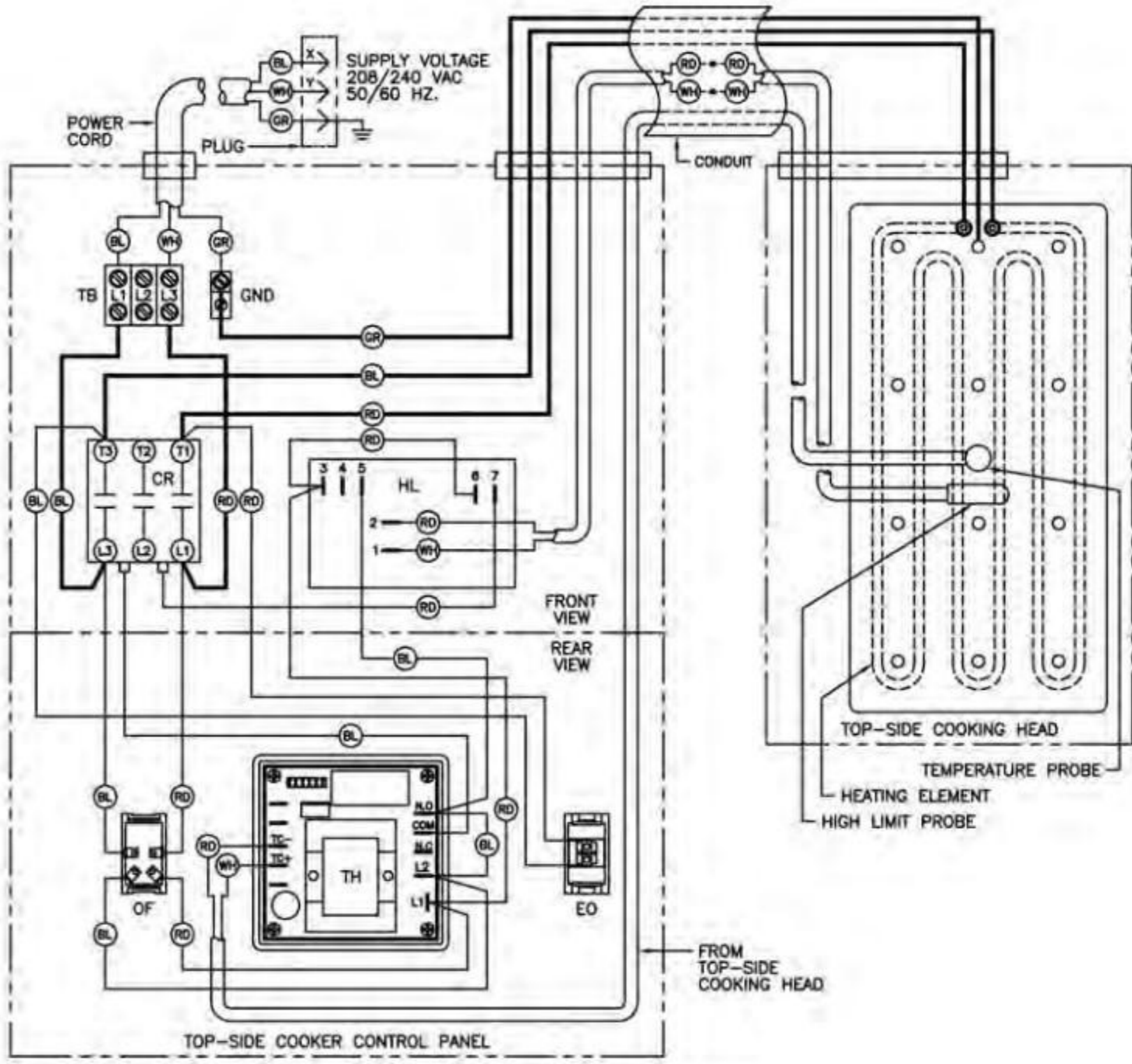
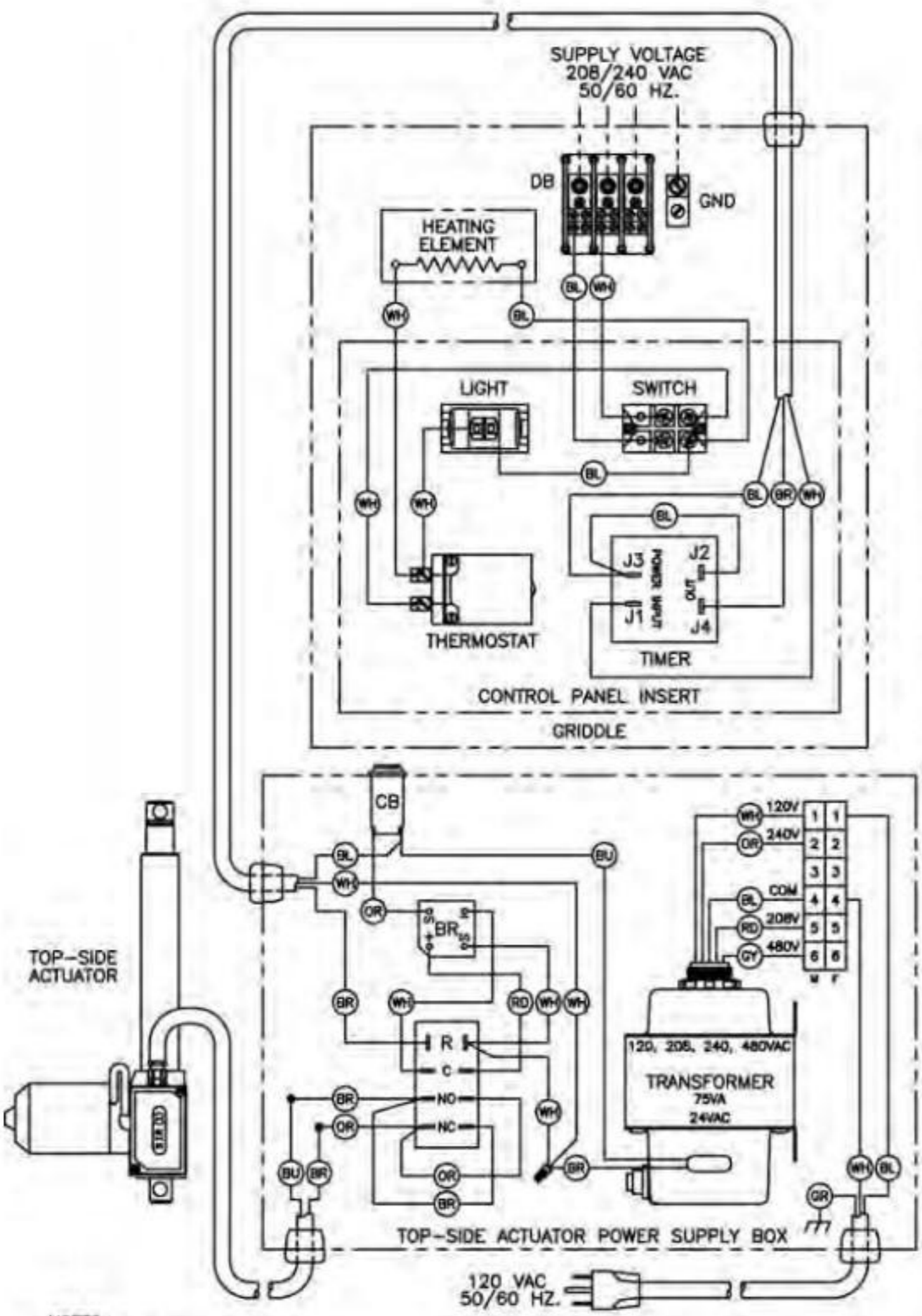
- NOTES:
 1. ——— = 12 AWG WIRE.
 2. ALL OTHER WIRES ARE 18 AWG.

COMPONENT CODES:

- BR - BRIDGE RECTIFIER
- CB - CIRCUIT BEAKER
- CR - CONTACTOR 220/240VAC
- DB - POWER DISTRIBUTION BLOCK
- EO - "ELEMENT ON" LIGHT (RED)
- GND - GROUNDING LUG
- HL - HIGH LIMIT
- OF - "ON / OFF" SWITCH, LIGHTED (GREEN)
- R - RELAY
- TB - TERMINAL BLOCK
- TH - THERMOSTAT

WIRE COLOR CODES:

- BL - BLACK
- GR - GREEN
- GY - GRAY
- OR - ORANGE
- RD - RED
- WH - WHITE
- BR - BROWN
- BU - BLUE



NOTES:
 1. — = 12 AWG WIRE.
 2. ALL OTHER WIRES ARE 18 AWG.

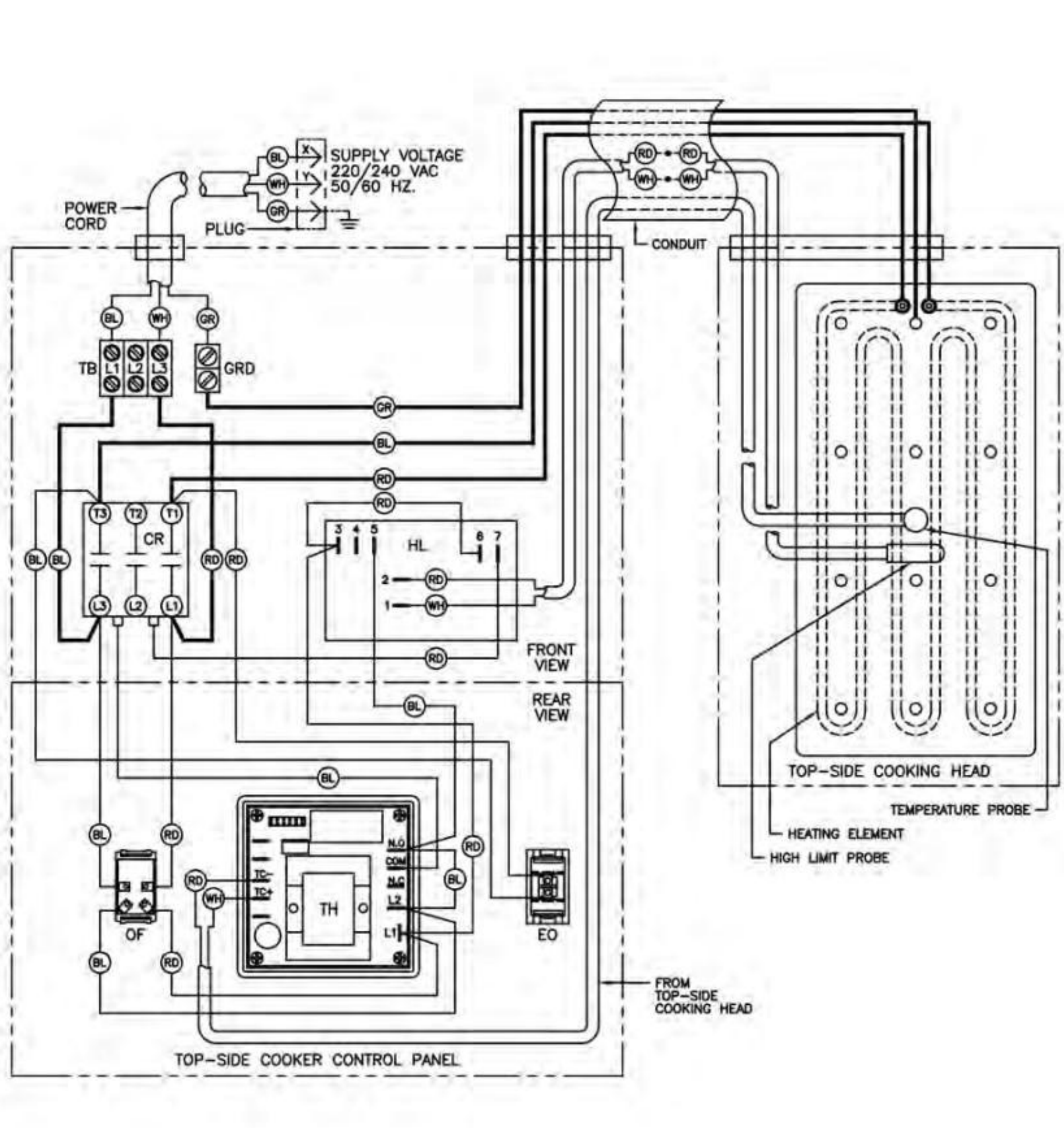
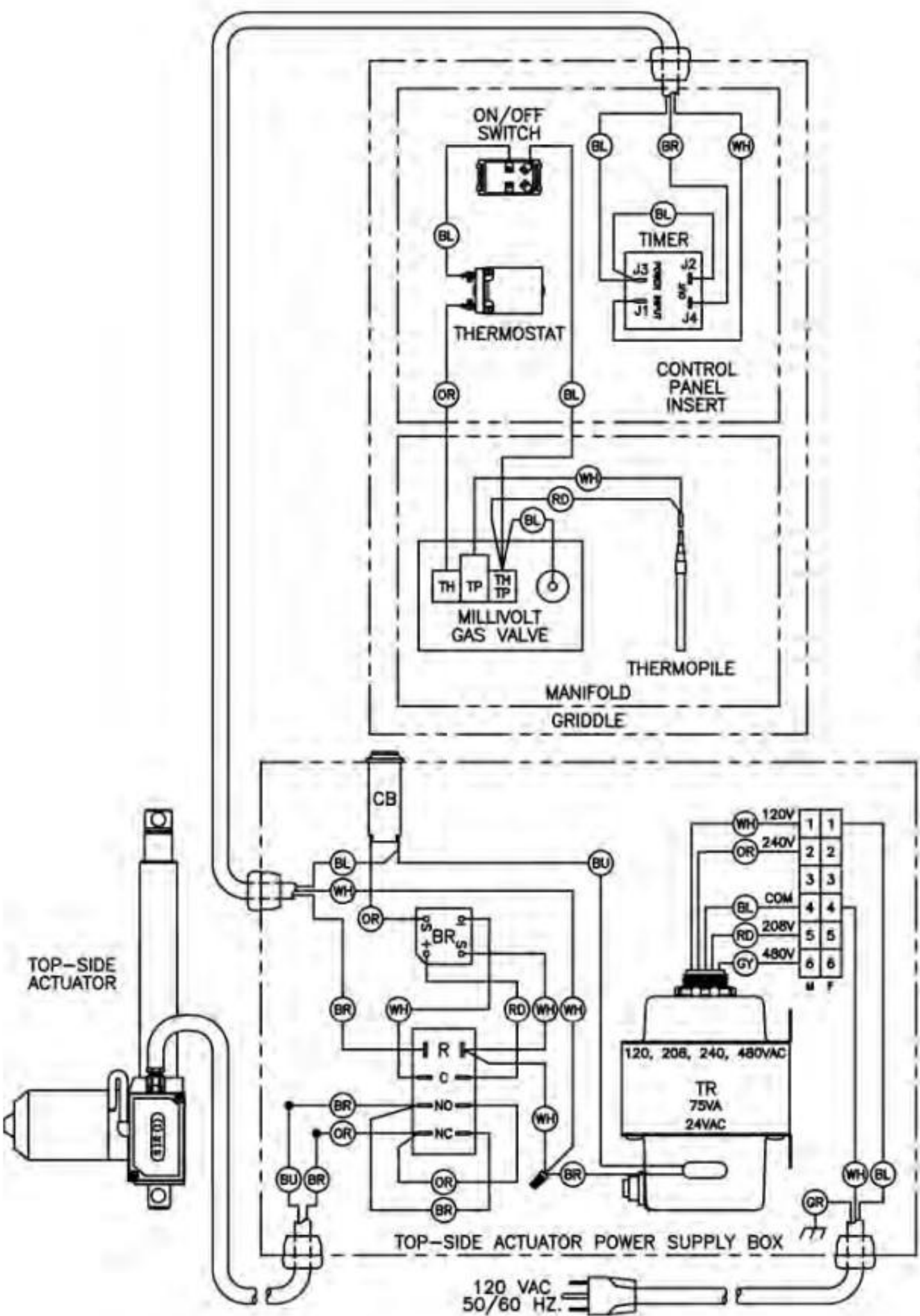
COMPONENT CODES:

- BR - BRIDGE RECTIFIER
- CB - CIRCUIT BEAKER
- CR - CONTACTOR 220/240VAC
- DB - POWER DISTRIBUTION BLOCK
- EO - "ELEMENT ON" LIGHT (RED)
- GND - GROUNDING LUG
- HL - HIGH LIMIT
- OF - "ON / OFF" SWITCH, LIGHTED (GREEN)
- R - RELAY
- TB - TERMINAL BLOCK
- TH - THERMOSTAT

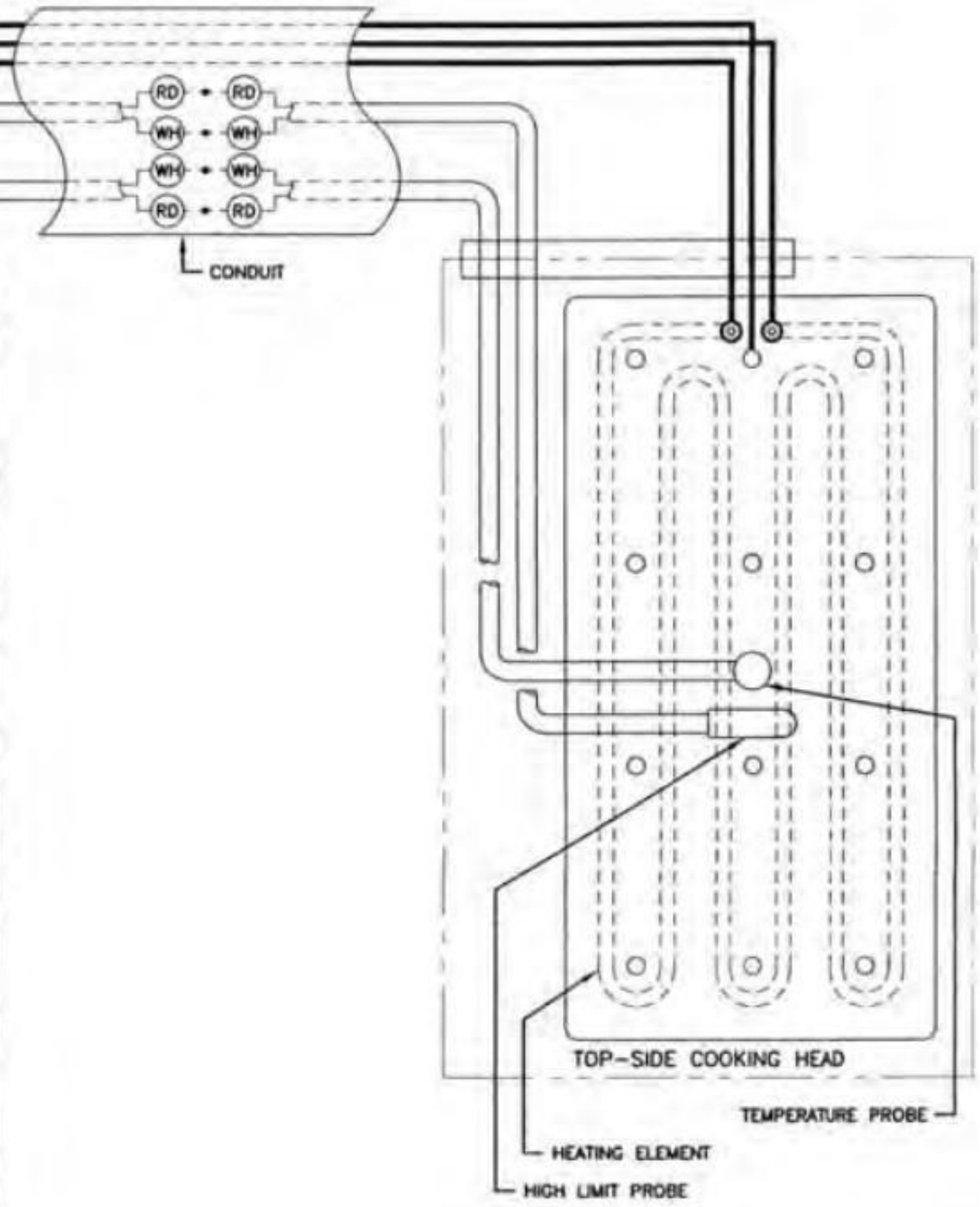
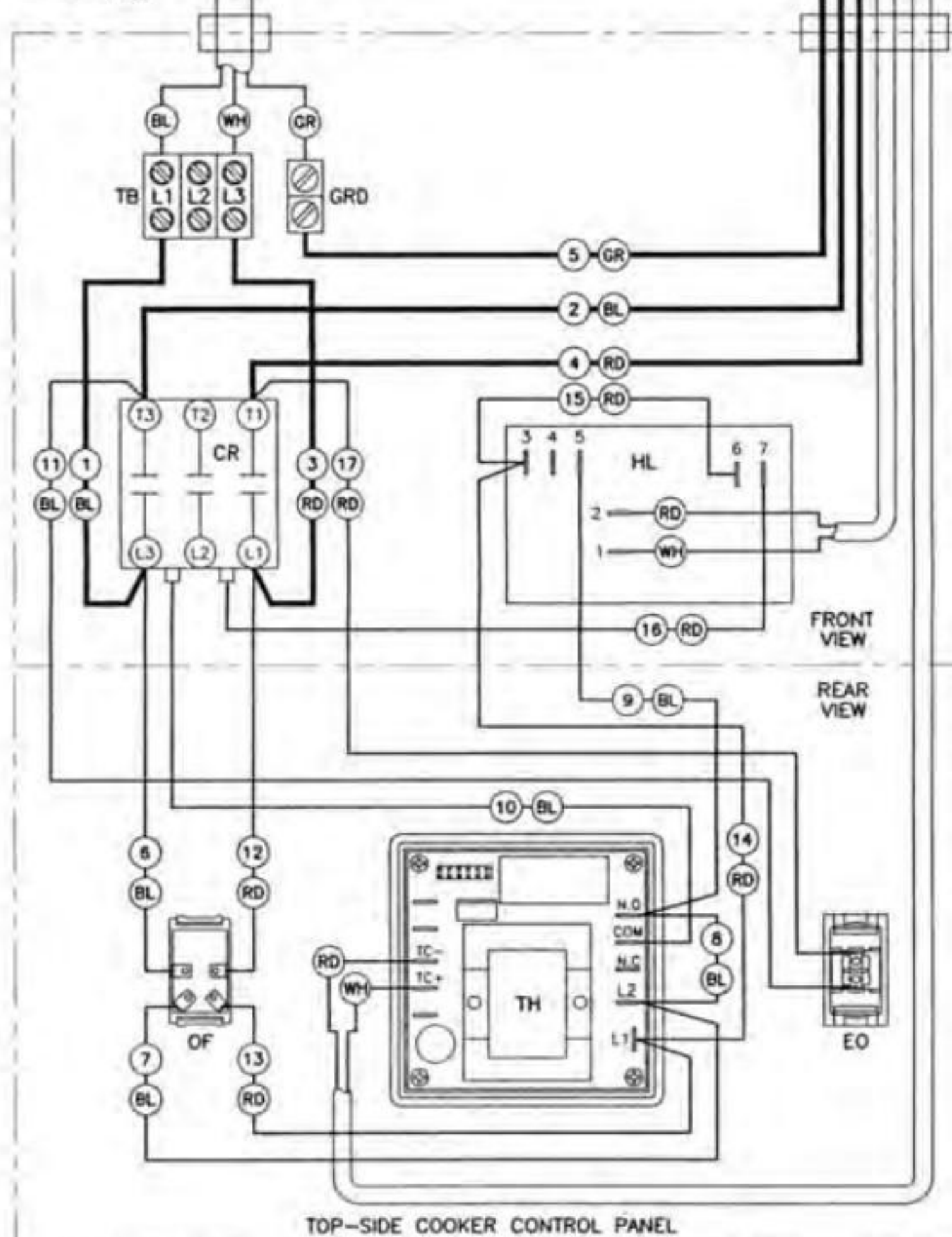
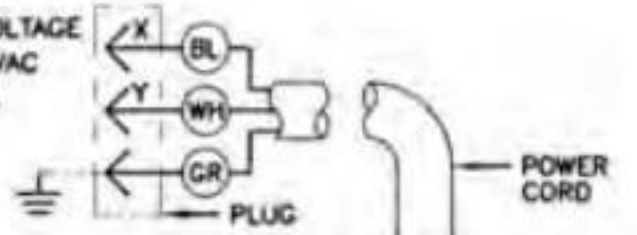
WIRE COLOR CODES:

- BL - BLACK
- GR - GREEN
- GY - GRAY
- OR - ORANGE
- RD - RED
- WH - WHITE
- BR - BROWN
- BU - BLUE

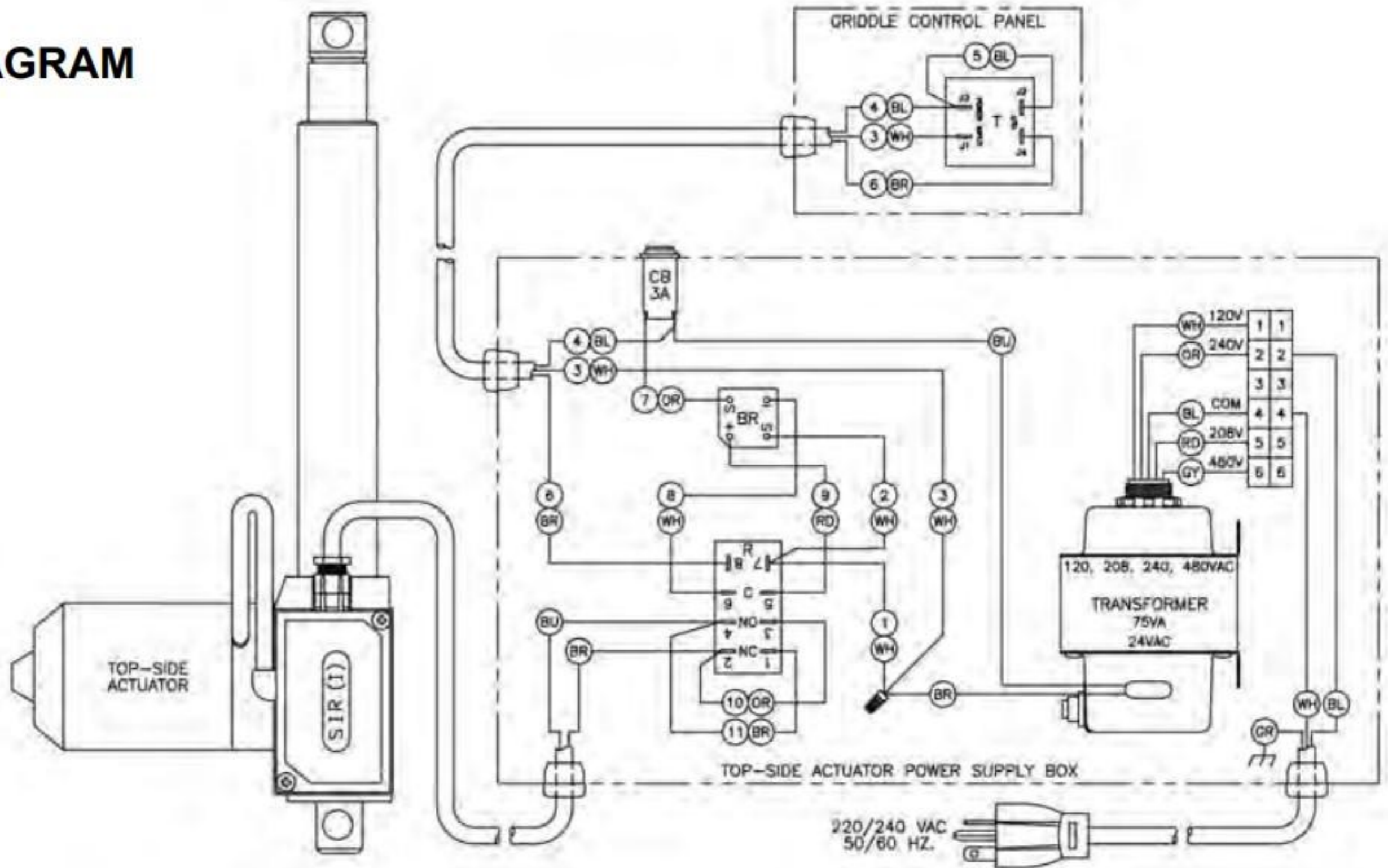
NOTE: THIS DRAWING SHOWS A AUTO TOP-SIDE COOKER ON A 208/240V ELECTRIC GRIDDLE WITH ONE HEATING ELEMENT CIRCUIT SHOWN.



SUPPLY VOLTAGE
220/240 VAC
50/60 HZ.



WIRING DIAGRAM



WIRE COLOR CODES:

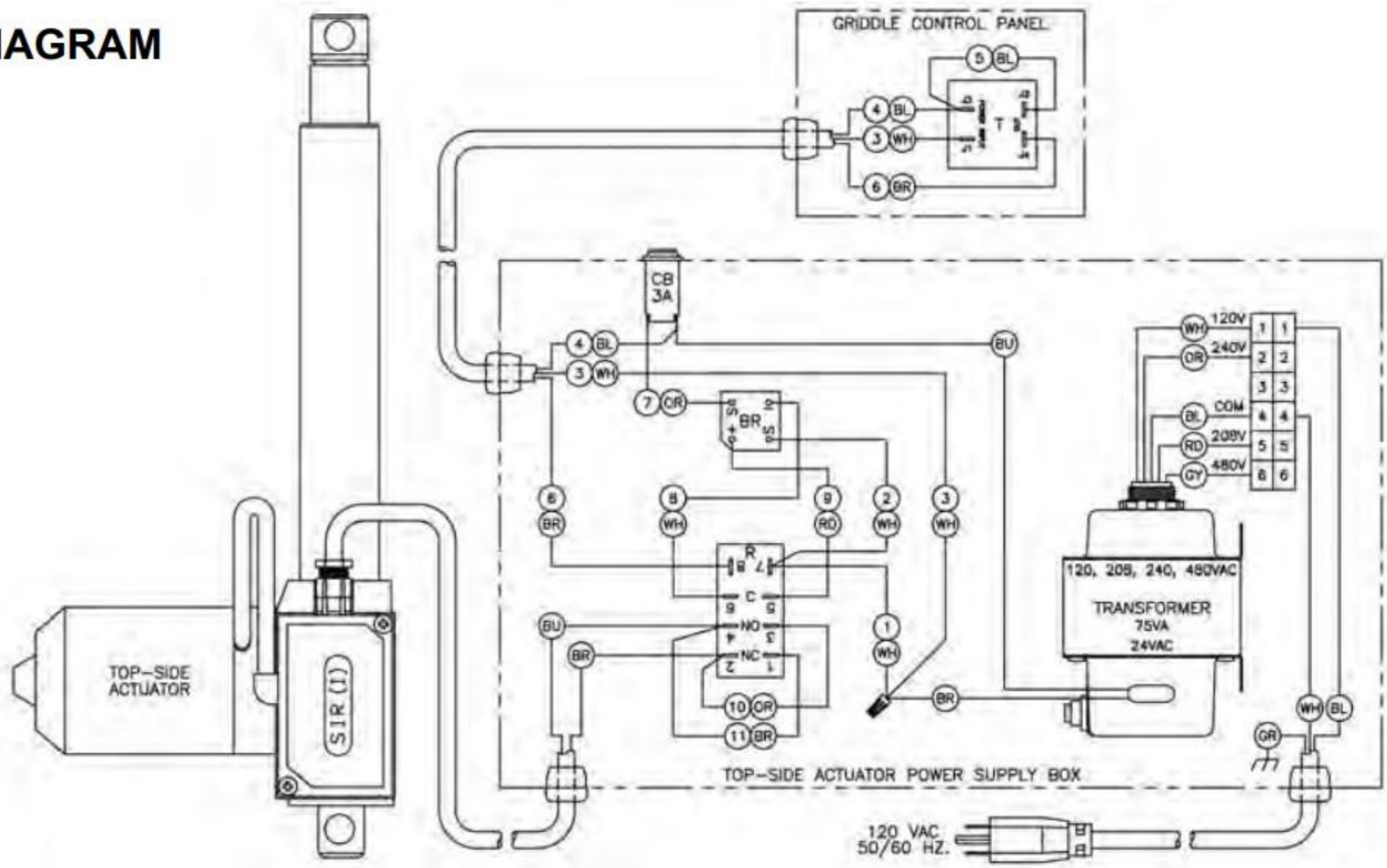
RD - RED
 BL - BLACK
 BR - BROWN
 BU - BLUE
 GR - GREEN
 GY - GRAY
 OR - ORANGE
 WH - WHITE

COMPONENT CODES:

CB - CIRCUIT BREAKER
 BR - BRIDGE RECTIFIER
 R - RELAY 24VAC
 T - TIMER

NOTE: ALL WIRES ARE 18 AWG.

WIRING DIAGRAM



WIRE COLOR CODES:

- RD - RED
- BL - BLACK
- BR - BROWN
- BU - BLUE
- GR - GREEN
- GY - GRAY
- OR - ORANGE
- WH - WHITE

COMPONENT CODES:

- CB - CIRCUIT BREAKER
- BR - BRIDGE RECTIFIER
- R - RELAY 24VAC
- T - TIMER

NOTE: ALL WIRES ARE 18 AWG.