



Kelvinator 

Factory Parts Catalog

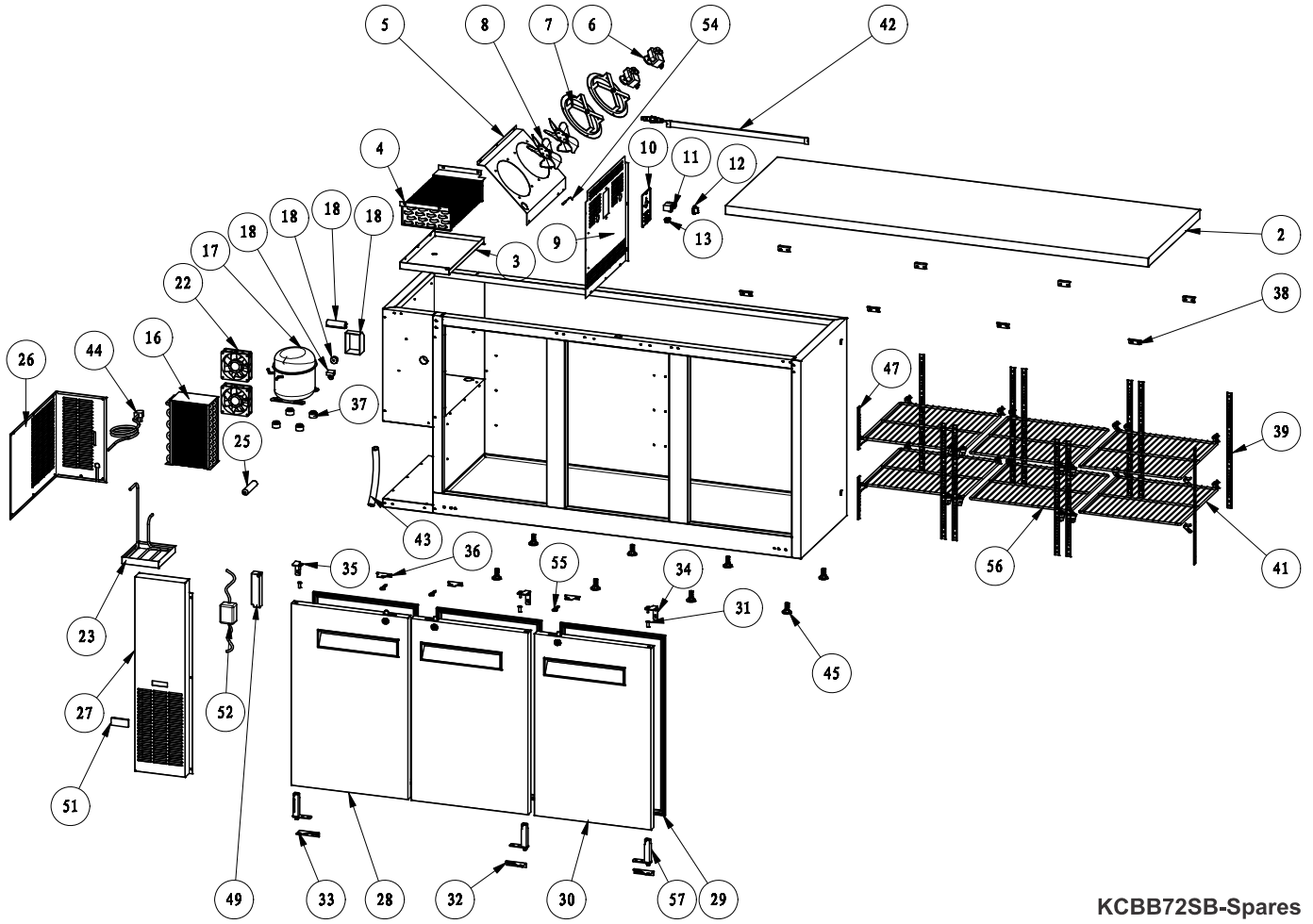
Product No.	KCBB72SB
Series	back bar
Color	steel door
Volts	115
Market	NA Commercial

TOP-MOUNT REFRIGERATOR

Model No.
KCBB72S

Publication No.
5995656856
15/02/10
(EN/SERVICE/KC)
099

RECOMMENDED SPARE PARTS



KCBB72SB-Spares

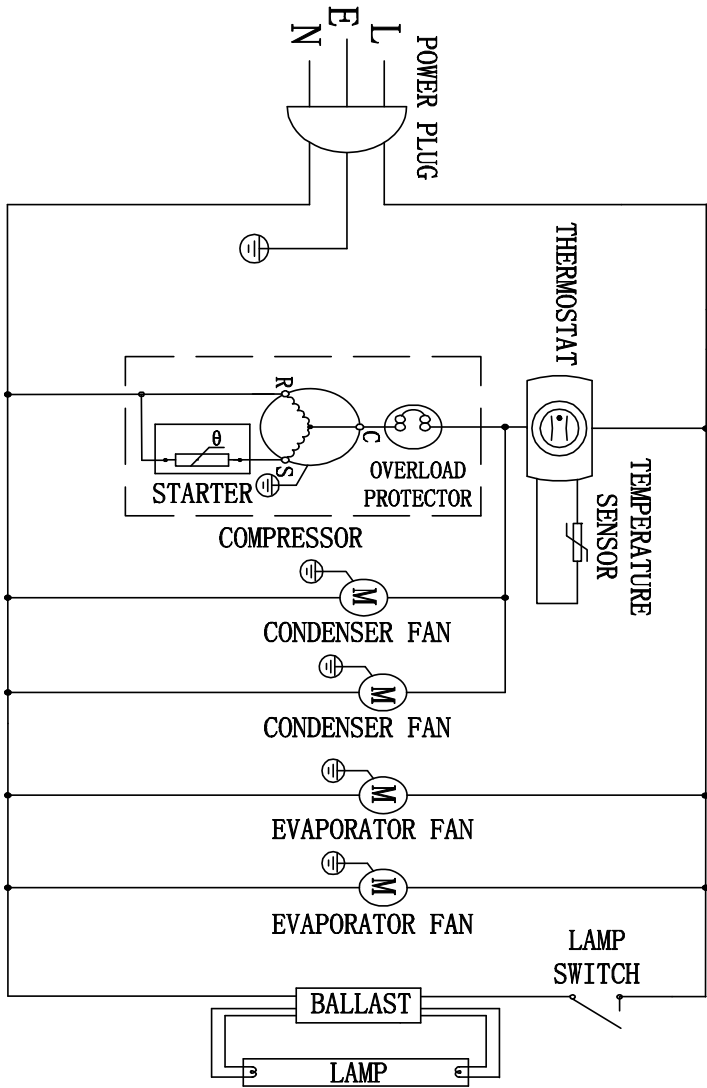
RECOMMENDED SPARE PARTS

POS. NO	PART NO.	DESCRIPTION
2	5304498446	Panel, table top
3	5304498394	Pan, defrost drain, evaporator
4 #	5304498395	Evaporator
5	5304498447	Panel, motor mount, evap fan
6 #	5304493162	Motor, evaporator fan
7	5304498397	Bracket, motor mount, evap fan
8 #	5304493160	Fan Blade, evaporator fan
9	5304498448	Cover, evaporator
10	5304493112	Panel, controller mtg.
11 #	5304493158	Control, temperature
12	5304493114	Knob, temp controller, rotary
13 #	5304493113	Switch, lamp, rocker
16 #	5304498399	Condenser
17 #	5304493171	Compressor
18 #	5304498391	Electrical Parts, compressor
22 #	5304492231	Fan Assy, evaporator, with motor
23	5304498400	Pan, drain, condensate
25 #	5304493106	Filter-drier
26	5304498401	Panel, side/back, louvered
27	5304498402	Panel, service access, front
28	5304498453	Door, steel, left side
29 #	5304498454	Gasket, steel door seal
30	5304498455	Door, steel, right/middle
31	5304493360	Hinge Pin, door, upper
32	5304493361	Hinge, door, bottom right
33	5304493409	Hinge, door, bottom left
34	5304498435	Hinge, door, upper right
35	5304498436	Hinge, door, upper left
36	5304498437	Base Plate, lock
37	5304498390	Grommet, compressor mtg
38	5304498449	Block, fastener, top/back bar
39	5304493483	Pilaster, shelf mount, 4 screw
41	5304497343	Shelf, right/left
42	5304493285	Lamp, LED
43 #	5304493401	Tube, drain, 16 mm dia
44 #	5304493100	Power Cord, electric, 115 V
45	5304493526	Foot, leveling screw, adjustable
47	5304493396	Pilaster, shelf mount, 2 screw
49 #	5304493305	Ballast, lamp
51 #	5304493083	Display, temperature, Fahrenheit
52 #	5304493077	Transformer, temp display
54 #	5304493402	Probe, temp display, Fahrenheit
55	5304492341	Key, door lock
56	5304492217	Door Closer, hinge spring
56	5304498456	Shelf, middle

WIRING DIAGRAM

Kelvinator Commercial

CIRCUIT DIAGRAM



CONFORMS TO UL STD. 471
 CERTIFIED TO CSA STD. C22.2 No. 120-M91
 CONFORMS TO NSF/ANSI STD. 7

MODEL : KCBB72SB
TECHNIC PARAMETER

DESIGNED PRESSURE	
HIGH SIDE	210PSI
LOW SIDE	90PSI
REFRIGERANT	R134a
AMOUNT	12.35oz
FOAM AGENT	141b
RATED VOLTAGE	AC115V
FREQUENCY	60Hz
RATED CURRENT	8.0A
NET WEIGHT	150Kg
MANUFACTURED	