



Kelvinator 

Factory Parts Catalog

Product No.	KCBC50
Series	bottle cooler
Color	black
Volts	115
Owner's Guide	242230100
Market	North America

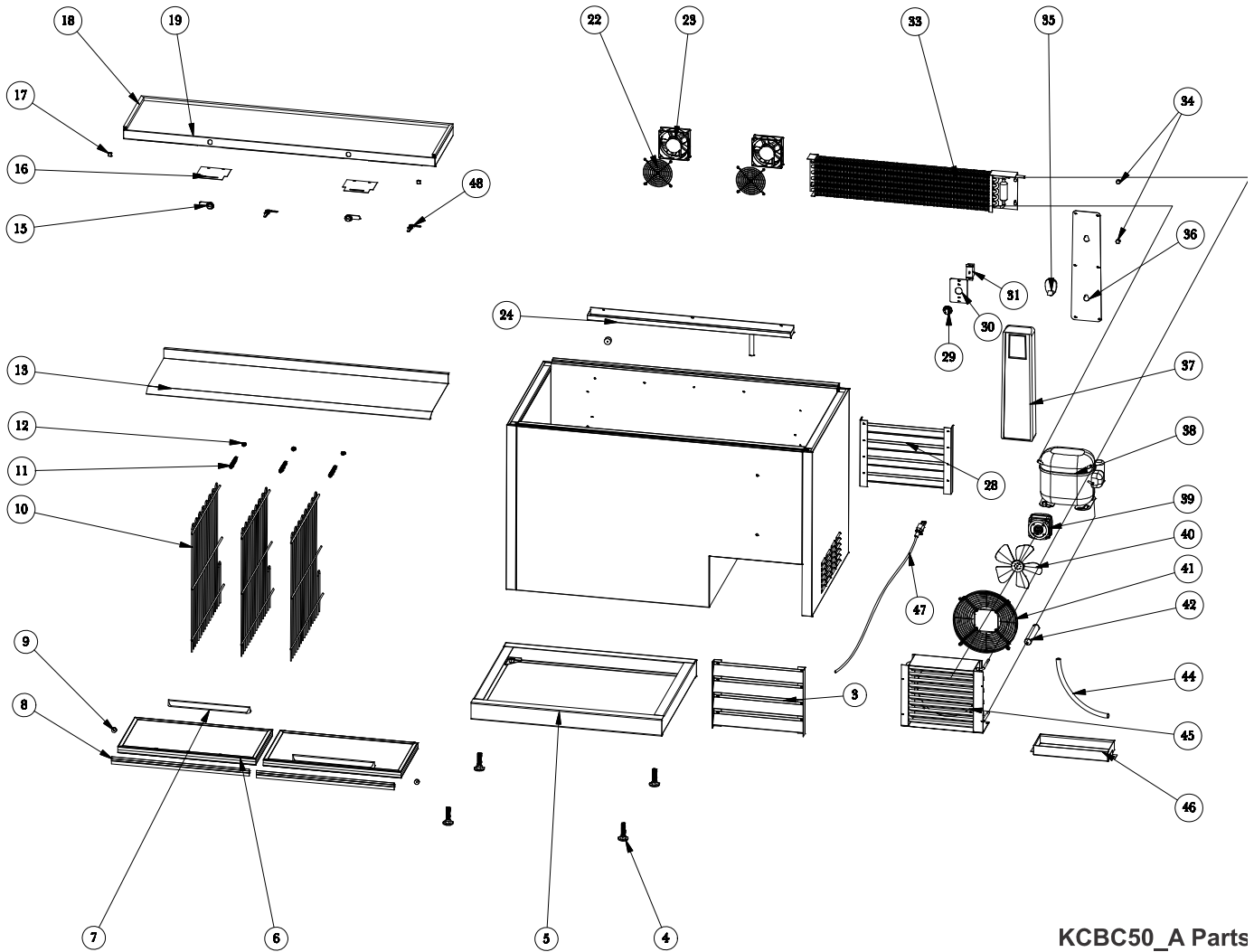
This Catalog replaces 5995625042

Publication No.
5995641882
14/02/17
(EN/SERVICE/KC)
099

BOTTLE COOLER

Model No.
KCBC5

RECOMMENDED SPARE PARTS



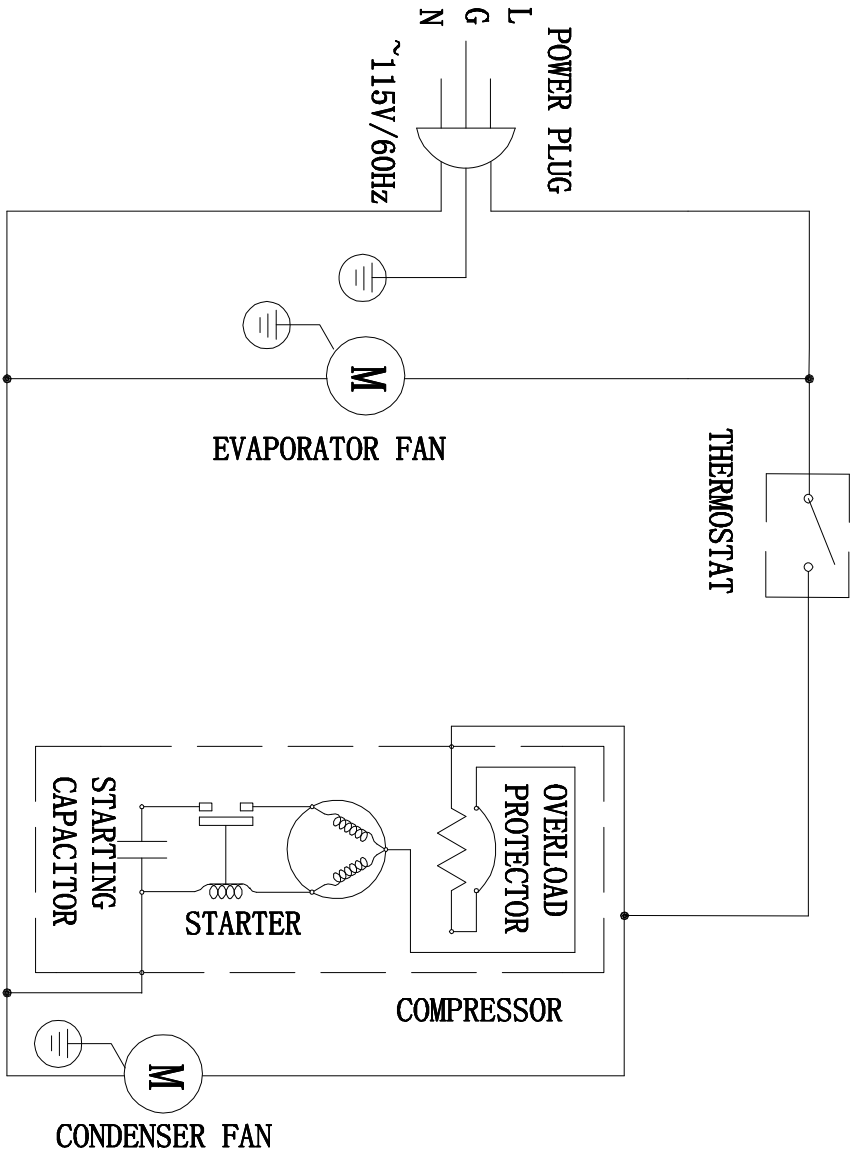
KCBC50_A Parts

RECOMMENDED SPARE PARTS

POS. NO	PART NO.	DESCRIPTION
3	5304493525	Grille, front louver, vent
4	5304493526	Foot, leveling screw, adjustable
5	5304493527	Base, cabinet
6	5304493529	Lid
7	5304493261	Handle, door
8 #	5304493531	Gasket, lid, seal
9	5304493532	Detent, travel limiter, lid
10	5304493533	Divider, vertical
11	5304493534	Spring, divider
12	5304493535	End Cap, divider
13	5304493536	Panel, under table
15	5304492260	Lock, door
16	5304493538	Base, lock
17	5304493539	End Cap, block
18	5304493540	Frame, table
19	5304493541	Panel, table
22	5304493485	Grille, fan cover, evaporator
23 #	5304492231	Fan Assy, evaporator, with motor
24	5304493546	Pan, defrost drain, evaporator
28	5304493629	Panel, service access, rear
29	5304493114	Knob, temp controller, rotary
30	5304493630	Panel, controller
31 #	5304493158	Control, temperature
33 #	5304493632	Evaporator
34	5304493634	Screw, bottle opener
35	5304493635	Opener, bottle
36	5304493636	Base, bottle opener
37	5304493637	Cover, bottle opener
38 #	5304493026	Compressor
38*#	5304493030	Relay/Starter
38*#	5304493031	Overload
38*#	5304493032	Capacitor, start
39 #	5304492359	Motor, condenser fan
40 #	5304492273	Fan Blade, condenser fan
41	5304492272	Cover, condenser fan
42 #	5304492275	Filter-drier
44 #	5304493401	Tube, drain, 16 mm dia
45 #	5304492269	Condenser
46	5304493109	Pan, drain, condenser
47 #	5304493100	Power Cord, electric, 115 V
48	5304492341	Key, door lock

WIRING DIAGRAM

CIRCUIT DIAGRAM



MODEL : KCBC50
SPECIFICATIONS

DESIGNED PRESSURE	
HIGH SIDE	220PSI
LOW SIDE	105PSI
REFRIGERANT	R134a
AMOUNT	350g
FOAM AGENT	C-PENTANE
RATED VOLTAGE	115V
FREQUENCY	60Hz
RATED CURRENT	8.0A
NET WEIGHT	82Kg
MANUFACTURED	