



Kelvinator 

Factory Parts Catalog

Product No.	KCBM180FQYA
Series	Commercial
Color	gray
Volts	115V
Wiring Diagram	
Owner's Guide	A01063601
Market	North America
Energy Guide	

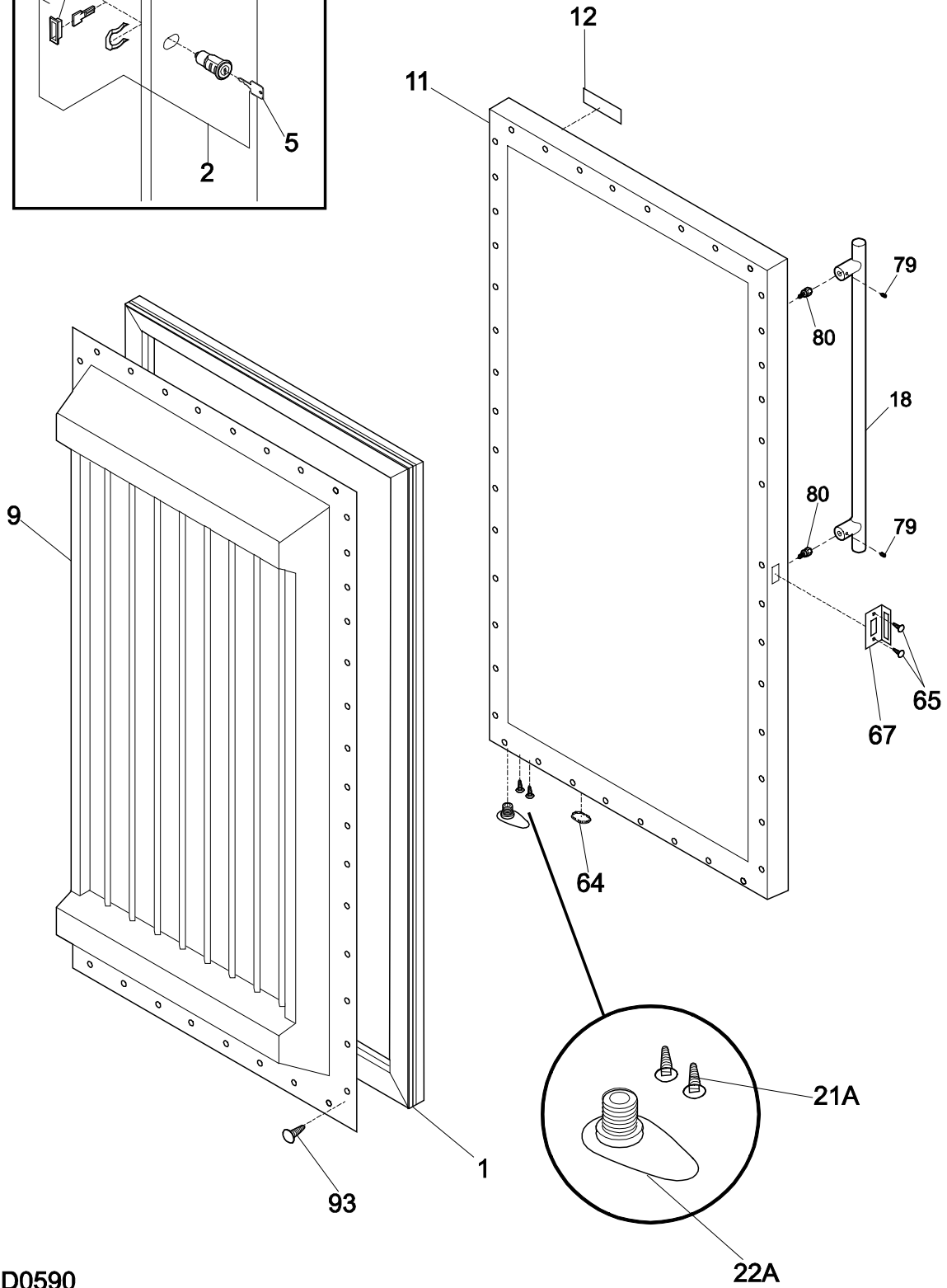
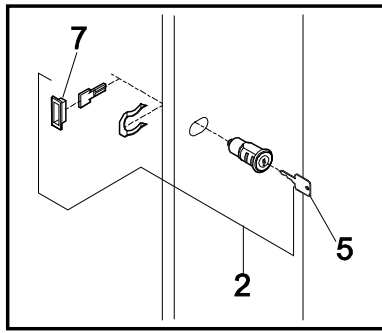
This Catalog replaces 5995652269

Publication No.
5995659496
15/04/08
(EN/SERVICE/)
365

UPRIGHT FREEZER/REFRIGERATOR

Model No.
KCBM180FQY

DOOR



P08D0590

DOOR

POS. NO	PART NO.	DESCRIPTION
1	216522318	Gasket-door, black
2 #	216362700	Lock Assy
5 #	216362800	Key, lock
7	216468700	Bezel-lock
9	297440101	Panel, door
11	297255302	Panel-outer door
12	297146601	Nameplate, Commercial
18	297314000	Handle
*	240537301	Nut-anchor, door hdl screw
21A	216850900	Screw, hex washer hd, 1/4 x 7/8, door stop/hng
22A	216335400	Bearing-hinge
64	216403701	Plug-button, hole filler, door base
65	216423501	Screw-retainer
67	216423000	Retainer-lock
79	218755401	Screw-set, 10-32 x 0.375
80	218755504	Screw, shoulder, #10-AB, handle mounting
93	216858001	Screw, 8-18x.50 AB, #10
*	216923003	Plug button, 1/4", grey, (2)
*	297410600	Screw, 8-18 X .500
*	5300158222	Screw-anchor, 8-18

CABINET

POS. NO	PART NO.	DESCRIPTION
1	297222500	Lock-catch
5 #	216325600	Fan Blade
6	297200900	Breaker Kit w/corners
9	297200100	Breaker Kit w/corners, 32", top and bottom
13 #	297250000	Motor, fan, 115 V
14	297243800	Switch, light/lamp, plunger
15	216518101	Lamp, blue, 40 watt, 130 volt
16	297139500	Socket, light/lamp
18	216591501	Knob, temp control
21 #	297216017	Control-temperature
22	216823500	Clamp, cap tube, cold control
22A	5303916855	Tube, sensor sleeve, plastic, clear
24	5304460604	Screw, type A, 10-24 x 3/8
25	297421403	Cover, evaporator
25*#	297069300	Harness, electrical, evaporator
28	216335600	Hinge-bottom, stepped pin
29	216361901	Hose-drain
33	297421501	Duct, air
35	216273000	Clip, wire retainer
37	297273903	Trim-cabinet corner, silver mist, (2)
38A	297215900	Hinge-top, door closer
42	5304494905	Shelf, full frame
43	5304494906	Shelf, cup, partial
49	297471401	Trivet
50	08013207	Bracket-fan motor
63	216396900	Screw, leveling foot, plastic, adjustable
63*	297164651	Bracket, RH leg levelor
63*	297164650	Bracket, LH leg levelor
71A	216395801	Screw, 1/4 20 x 1/2
72	297071200	Grille/Kickplate
86	216036601	Screw, RWHD, 8-32A x 0.500, GX-CA
92	216850900	Screw, hex washer hd, 1/4 x 7/8, door stop/hng
93	216858001	Screw, 8-18x.50 AB, #10
105	297439601	Gasket, evaporator, RH
109	297014200	Venturi, blower
110	216377000	Pan-drain, condensate
111	297141400	Bracket-evap cover
111*	3017666	Nut-insert
112	216381300	Cover-drain, condensate
113	216383602	Grate-air intake
114	297014300	Cover-blower
115	297439602	Gasket, evaporator, LH
116	216383800	Gasket-evap cover, front
117	216605500	Thumbscrew
122	215774920	Plug button, silver mist
122*	297095301	Plug, black
122A	216429602	Plug-button, black, upr hinge holes
129	216393301	Screw-lock catch, one way
130	297244700	Support, evaporator mtg
131	297122000	Shelf-standard
134	297236250	Screw, hex head, 1/4-20x5/8, hinge
159	297070201	Dial, thermometer
160	297096100	Screw, #6-20X.375 AB, stainless, thermo dial
169	216912401	Screw, hex washer head, 8-32 x 0.500, bracket fan mtr, (2)
208	216504500	Screw, AB, 8-18x.500
*	297090800	Label, freezer
*	5303311565	Clip-cable
*	297001708	Insulation, drain tube, 36"
*	297174300	Screw, self pierce, #8, 18x.63
*	297410600	Screw, 8-18 X .500

SYSTEM

POS. NO	PART NO.	DESCRIPTION
1 #	5300083897	Condenser
2	5308000110	Strap-evap/heater, aluminum, (2)
4	297396860	Filter-dryer
5 #	297337300	Harness-main
5*	216987800	Adapter-harness
14	216730700	Heater-defrost
15 #	297311300	Evaporator
15A	297219100	Heat Exchanger
16	297139500	Socket, light/lamp
18	297078701	Insulator-evap, styrofoam, RH
19	297078801	Insulator-evap, styrofoam, LH
20	297216600	Thermostat, defrost
23 #	297318010	Timer, defrost, 115V, tab
27	297293302	Grommet, compressor
29 #	216966900	Compressor, assy
30 #	216894200	Starter, relay
31	297165800	Pan-drain
31A#	216100126	Overload Protector
35	216273000	Clip, wire retainer
35	297368500	Bolt, compressor
41	297070700	Cover-wiring, rear
53	216894500	Cover-terminal
60	297279500	Motor-condenser fan
61	241639501	Blade-condenser fan
64	216578800	Vent
65	5309950074	Valve, breather
65*	297318700	Vent assy, w/breather valv
86	216036601	Screw, RWHD, 8-32A x 0.500, GX-CA
100#	297366800	Cord, power
107	297225501	Cover, access
116	216383800	Gasket-evap cover, front
130	297244700	Support, evaporator mtg
136	240405201	Grommet, rubber, black, cond tube/wire
138	297070800	Cover-drain hose
146	297164000	Shroud-fan orifice
146*	216337701	Screw, HWH, 10-24 x 0.500, Swage
*	297082300	Harness-jumper
*	216225700	Grommet-spacer
*	297111000	Standoff
*	297315800	Clip, wire
*	216858001	Screw, 8-18x.50 AB, #10
*	240555002	Screw-#8-32 X 3/8
*	297174300	Screw, self pierce, #8, 18x.63
*	5303311565	Clip-cable