

**Kelvinator** 

## Factory Parts Catalog

Product No.	KCBM23FS
Series	Reach-in Frzr
Color	stainless steel
Volts	115
Wiring Diagram	KCBM23F
Owner's Guide	242230200
Market	North America

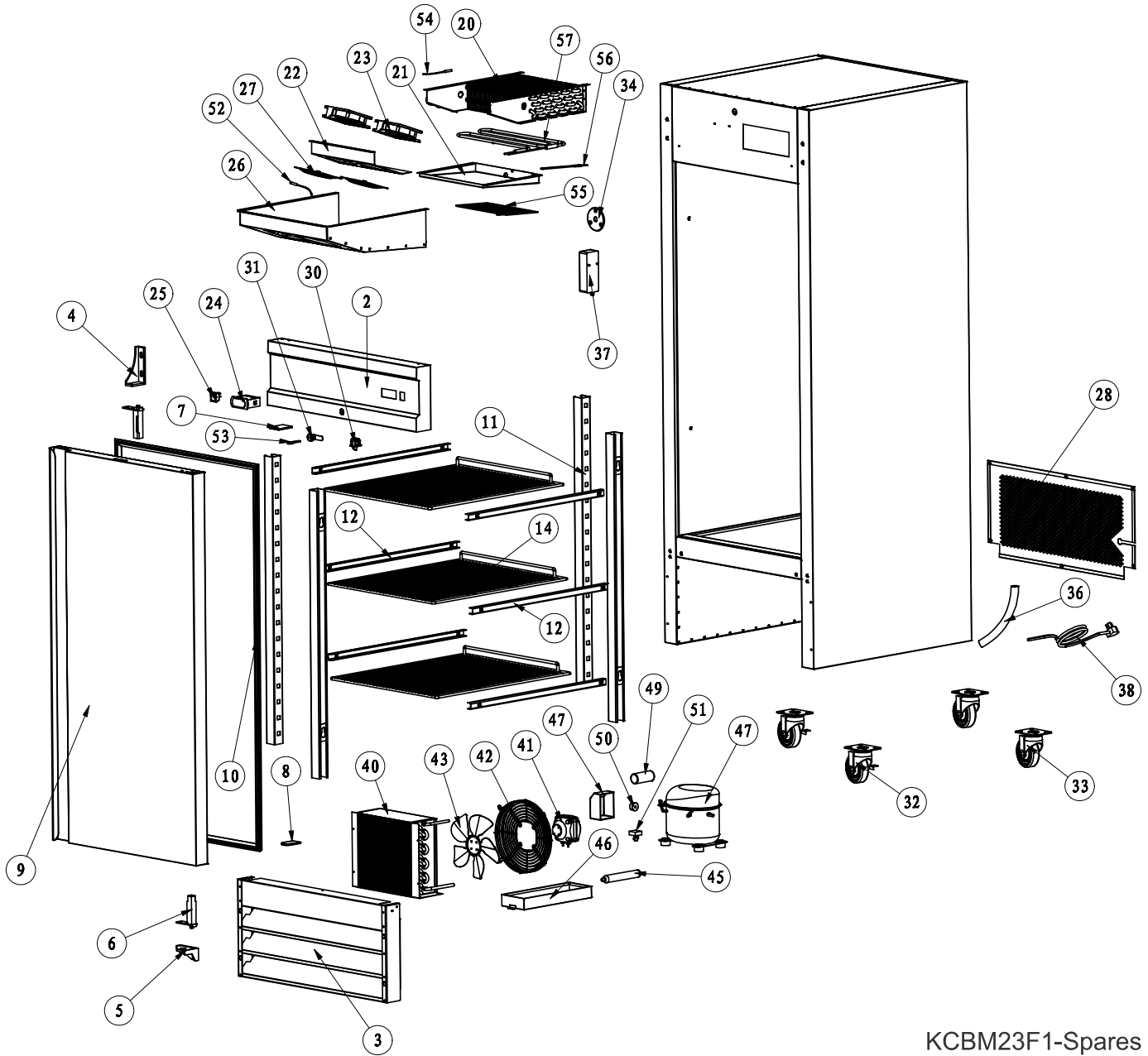
This Catalog replaces 5995620365

Publication No.  
**5995649430**  
14/08/11  
(EN/SERVICE/KC)  
099

### REACH-IN FREEZER

Model No.  
KCBM23F

RECOMMENDED SPARE PARTS



KCBM23F1-Spares

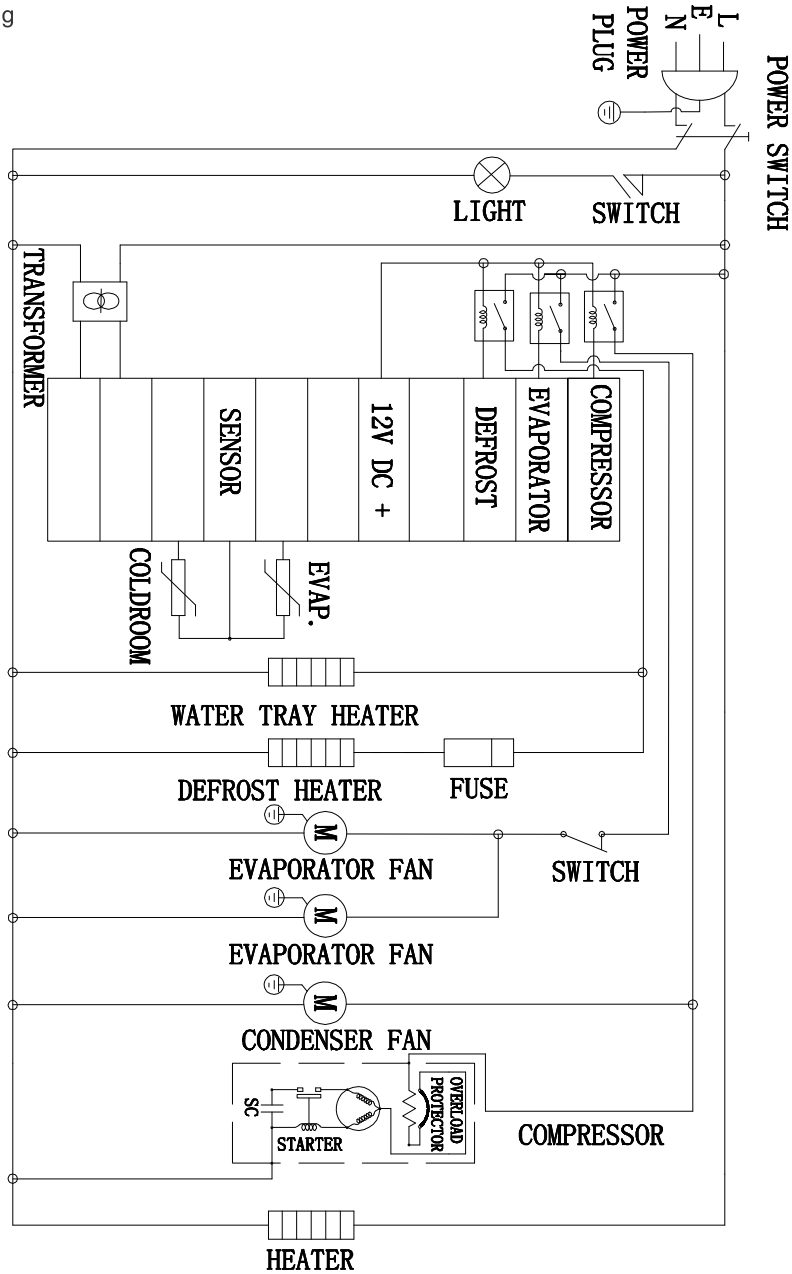
## RECOMMENDED SPARE PARTS

---

POS. NO	PART NO.	DESCRIPTION
2	5304492213	Panel, control, header
3	5304492214	Grille, vent, front, louvers
4	5304492215	Hinge, upper, right
5	5304492216	Hinge, bottom, right
6	5304492217	Door Closer, hinge spring
7	5304492218	Cover, hinge hole, header panel
8	5304492219	Cover, hinge hole, grille
9	5304492220	Door, reversible
10 #	5304492221	Gasket, door seal
11	5304492222	Channel, shelf mount
12	5304492223	Track Set, shelf, left & right
14	5304492224	Shelf
20 #	5304492228	Evaporator
21	5304496423	Pan, defrost drain, evaporator
22	5304492230	Panel, fan motor mount, housing
23 #	5304492231	Fan Assy, evaporator, with motor
24 #	5304492245	Controller, temp, (Carel)
24 #	5304496524	Controller, temp, (Juchuang)
25 #	5304492248	Switch, power
26	5304492252	Cover, evaporator
27	5304492253	Cover, evaporator fan
28	5304492257	Panel, service access, rear
30 #	5304492259	Switch, lamp, door activated
31	5304492260	Lock, door
32	5304492261	Caster, 4 inch diameter, locking
33	5304492262	Caster, 4 inch diameter
34	5304492263	Cover, drain hole, plug
36 #	5304492265	Tube, drain, outer
37 #	5304492266	Lamp/Light Assembly
38 #	5304492267	Power Cord, electric, 115 V
40 #	5304492270	Condenser
41 #	5304492271	Motor, condenser fan
42	5304492272	Cover, condenser fan
43 #	5304492273	Fan Blade, condenser fan
45 #	5304492275	Filter-drier
46	5304492276	Drain Pan, defrost
47 #	5304493027	Compressor, w/terminal box
49 #	5304493066	Capacitor, start
50 #	5304493065	Overload
51 #	5304493064	Relay/Starter
52 #	5304492340	Probe, temp controller
53	5304492341	Key, door lock
54 #	5304492342	Sensor, temperature, evaporator
55 #	5304492343	Heater, drain pan
56 #	5304492344	Heater, drain hose
57 #	5304492345	Heater, evaporator, defrost

**WIRING DIAGRAM**

KCBM23F\_Wiring



**CIRCUIT DIAGRAM**

**MODEL : CFD-1FF**  
**TECHNIC PARAMETER**

DESIGNED PRESSURE	
HIGH SIDE	341PSI
LOW SIDE	180PSI
REFRIGERANT	R404A
AMOUNT	450g
FOAM AGENT	141b
RATED VOLTAGE	AC115V
FREQUENCY	60Hz
RATED CURRENT	8.3A
NET WEIGHT	128Kg
MANUFACTURED	