

Kelvinator 

Factory Parts Catalog

Product No.	KCBM23RS
Series	Reach-in Refr
Color	stainless steel
Volts	115
Wiring Diagram	KCBM23R
Owner's Guide	242230200
Market	North America

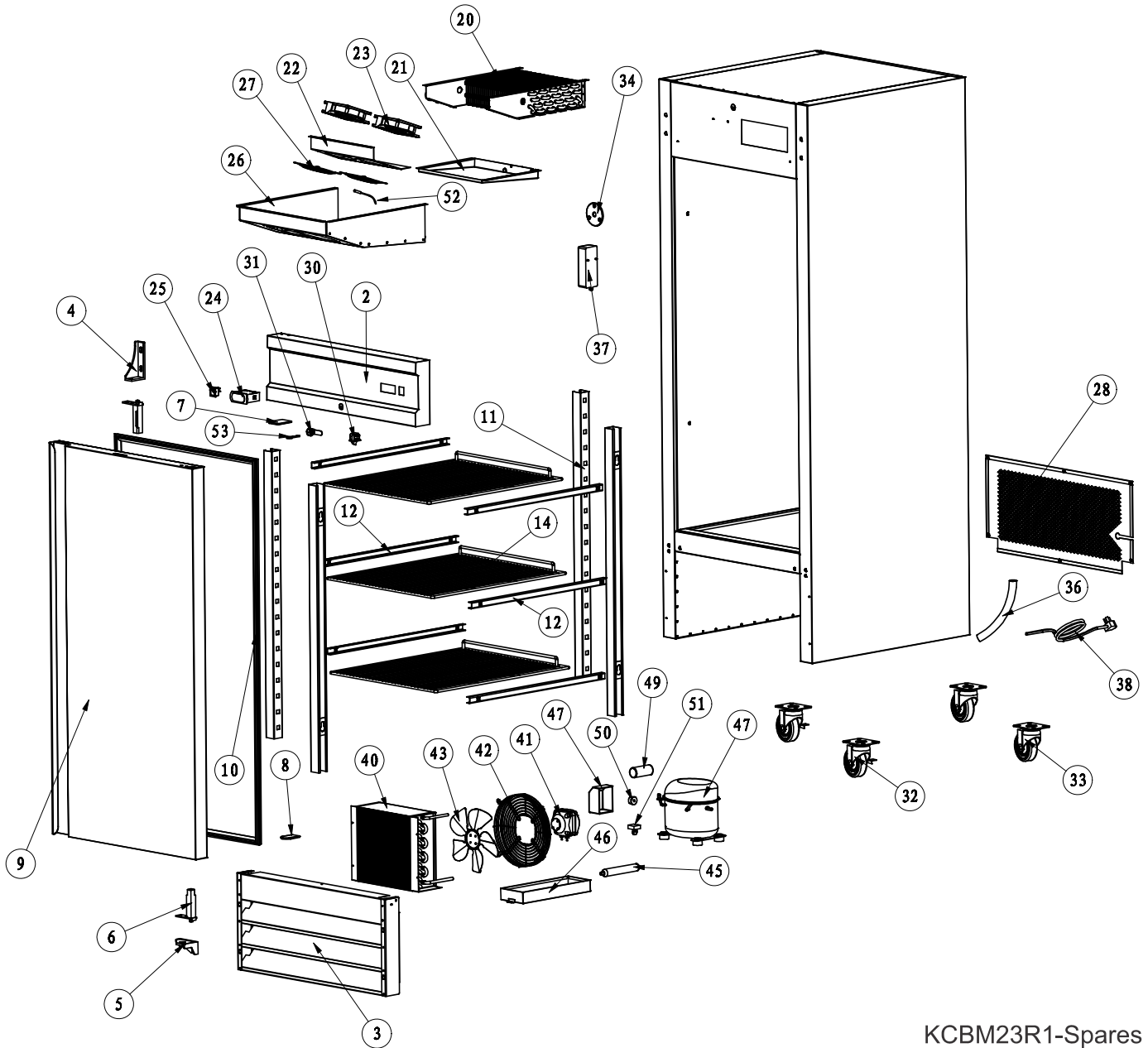
This Catalog replaces 5995619888

Publication No.
5995649414
14/08/11
(EN/SERVICE/KC)
099

TOP-MOUNT REFRIGERATOR

Model No.
KCBM23R

RECOMMENDED SPARE PARTS



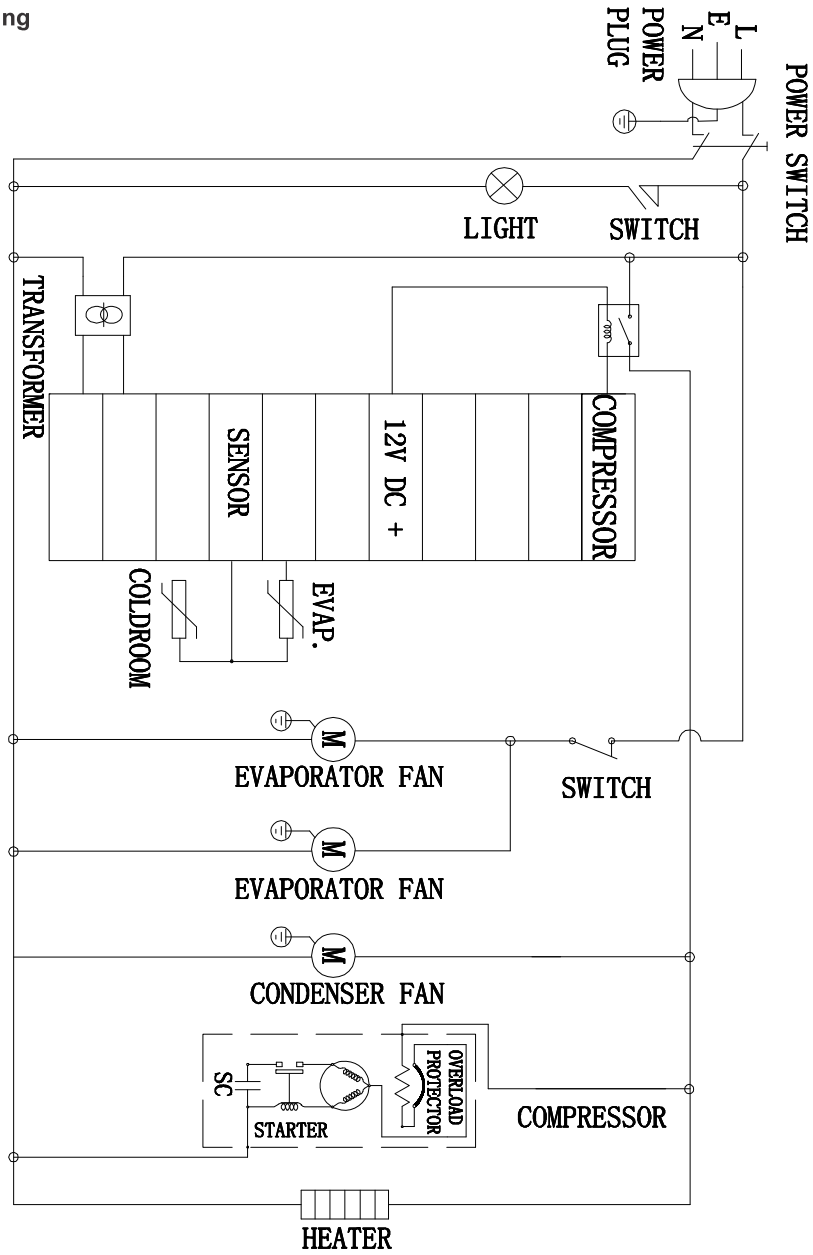
KCBM23R1-Spares

RECOMMENDED SPARE PARTS

POS. NO	PART NO.	DESCRIPTION
2	5304492213	Panel, control, header
3	5304492214	Grille, vent, front, louvers
4	5304492215	Hinge, upper, right
5	5304492216	Hinge, bottom, right
6	5304492217	Door Closer, hinge spring
7	5304492218	Cover, hinge hole, header panel
8	5304492219	Cover, hinge hole, grille
9	5304492220	Door, reversible
10 #	5304492221	Gasket, door seal
11	5304492222	Channel, shelf mount
12	5304492223	Track Set, shelf, left & right
14	5304492224	Shelf
20 #	5304492228	Evaporator
21	5304492229	Pan, defrost drain, evaporator
22	5304492230	Panel, fan motor mount, housing
23 #	5304492231	Fan Assy, evaporator, with motor
24 #	5304492240	Controller, temp, (Carel)
24 #	5304496523	Controller, temp, (Juchuang)
25 #	5304492248	Switch, power
26	5304492252	Cover, evaporator
27	5304492253	Cover, evaporator fan
28	5304492257	Panel, service access, rear
30 #	5304492259	Switch, lamp, door activated
31	5304492260	Lock, door
32	5304492261	Caster, 4 inch diameter, locking
33	5304492262	Caster, 4 inch diameter
34	5304492263	Cover, drain hole, plug
36 #	5304492265	Tube, drain, outer
37 #	5304492266	Lamp/Light Assembly
38 #	5304492267	Power Cord, electric, 115 V
40 #	5304492269	Condenser
41 #	5304492271	Motor, condenser fan
42	5304492272	Cover, condenser fan
43 #	5304492273	Fan Blade, condenser fan
45 #	5304492275	Filter-drier
46	5304492276	Drain Pan, defrost
47 #	5304493026	Compressor, w/terminal box
49 #	5304493032	Capacitor, start
50 #	5304493031	Overload
51 #	5304493030	Relay/Starter
52 #	5304492340	Probe, temp controller
53	5304492341	Key, door lock

WIRING DIAGRAM

KCBM23R_Wiring



CIRCUIT DIAGRAM

MODEL : CFD-1RR

TECHNIC PARAMETER

DESIGNED PRESSURE	
HIGH SIDE	206PSI
LOW SIDE	92PSI
REFRIGERANT	R134a
AMOUNT	600g
FOAM AGENT	141b
RATED VOLTAGE	AC115V
FREQUENCY	60Hz
RATED CURRENT	7.4A
NET WEIGHT	128Kg
MANUFACTURED	