



Kelvinator 

Factory Parts Catalog

Product No.	KCBM48RS
Series	Reach-in Refr
Color	stainless steel
Volts	115
Wiring Diagram	KCBM48R
Owner's Guide	242230200
Market	North America

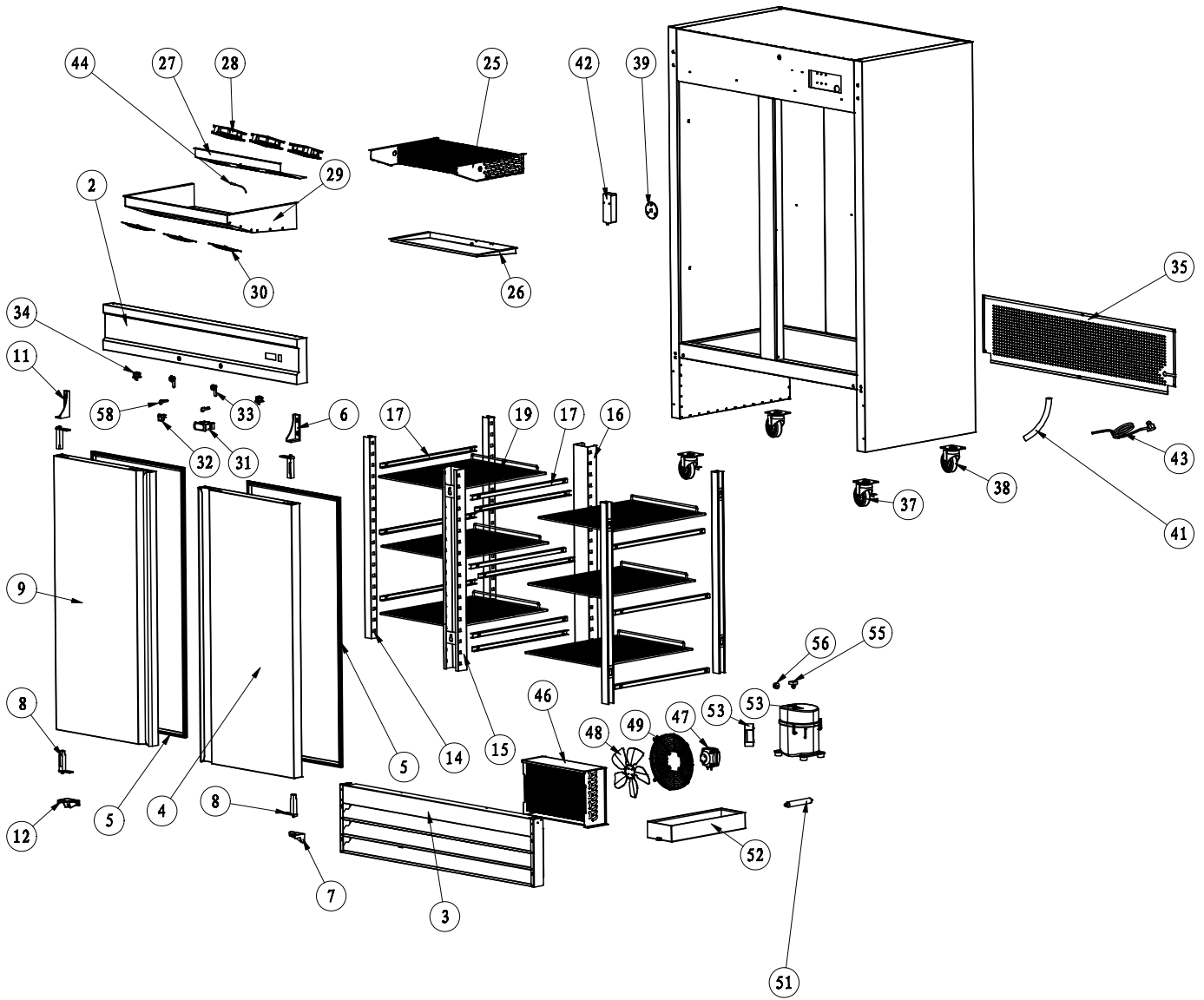
This Catalog replaces 5995620803

Publication No.
5995649448
14/08/12
(EN/SERVICE/KC)
099

REACH-IN REFRIGERATOR

Model No.
KCBM48R

RECOMMENDED SPARE PARTS



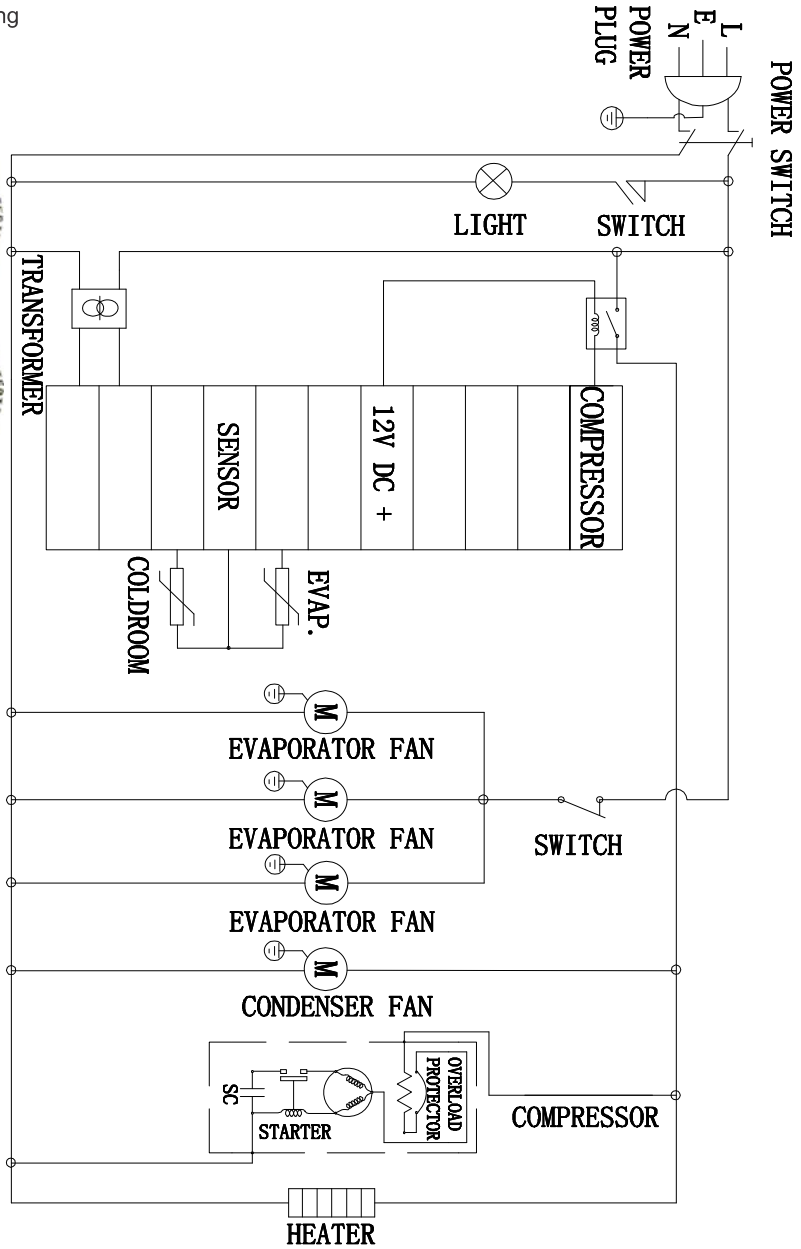
KCBM48R1-Spares

RECOMMENDED SPARE PARTS

POS. NO	PART NO.	DESCRIPTION
2	5304492346	Panel, control, header
3	5304492347	Grille, vent, front
4	5304492348	Door, right side
5 #	5304492349	Gasket, door
6	5304492215	Hinge, upper, right
7	5304492216	Hinge, bottom, right
8	5304492217	Door Closer, hinge spring
9	5304492350	Door, left side
11	5304492351	Hinge, upper, left
12	5304492352	Hinge, bottom, left
14	5304492222	Channel, shelf mount
15	5304492353	Channel, shelf, center front
16	5304492354	Channel, shelf, center rear
17	5304492223	Track Set, shelf, left & right
19	5304492224	Shelf
25 #	5304495899	Evaporator
26	5304495900	Pan, defrost drain, evaporator
27	5304495901	Panel, fan motor mount, housing
28 #	5304492231	Fan Assy, evaporator, with motor
29	5304492355	Cover, evaporator
30	5304492253	Cover, evaporator fan
31 #	5304496523	Controller, temp, (Juchuang)
31 #	5304492240	Controller, temp, (Carel)
32 #	5304492248	Switch, power
33	5304492260	Lock, door
34 #	5304492259	Switch, lamp, door activated
35	5304497715	Panel, service access, rear
37	5304492261	Caster, 4 inch diameter, locking
38	5304492262	Caster, 4 inch diameter
39	5304492263	Cover, drain hole, plug
41 #	5304492265	Tube, drain, outer
42 #	5304492266	Lamp/Light Assembly
43 #	5304492267	Power Cord, electric, 115 V
44 #	5304492340	Probe, temp controller
46 #	5304492358	Condenser
47 #	5304492359	Motor, condenser fan
48 #	5304492361	Fan Blade, condenser fan
49	5304492272	Cover, condenser fan
51 #	5304492275	Filter-drier
52	5304492364	Drain Pan, defrost
53 #	5304493028	Compressor, w/terminal box
55 #	5304493067	Relay/Starter
56 #	5304493068	Overload
58	5304492341	Key, door lock

WIRING DIAGRAM

KCBM48R_Wiring



CIRCUIT DIAGRAM

MODEL : CFD-2RR

TECHNIC PARAMETER

DESIGNED PRESSURE	
HIGH SIDE	233PSI
LOW SIDE	112PSI
REFRIGERANT	R134a
AMOUNT	850g
FOAM AGENT	141b
RATED VOLTAGE	AC115V
FREQUENCY	60Hz
RATED CURRENT	9.4A
NET WEIGHT	203Kg
MANUFACTURED	