



Kelvinator 

Factory Parts Catalog

Product No.	KCCF070QWA
Series	Commercial
Color	white
Volts	115
Wiring Diagram	
Owner's Guide	A01063901
Market	North America
Energy Guide	

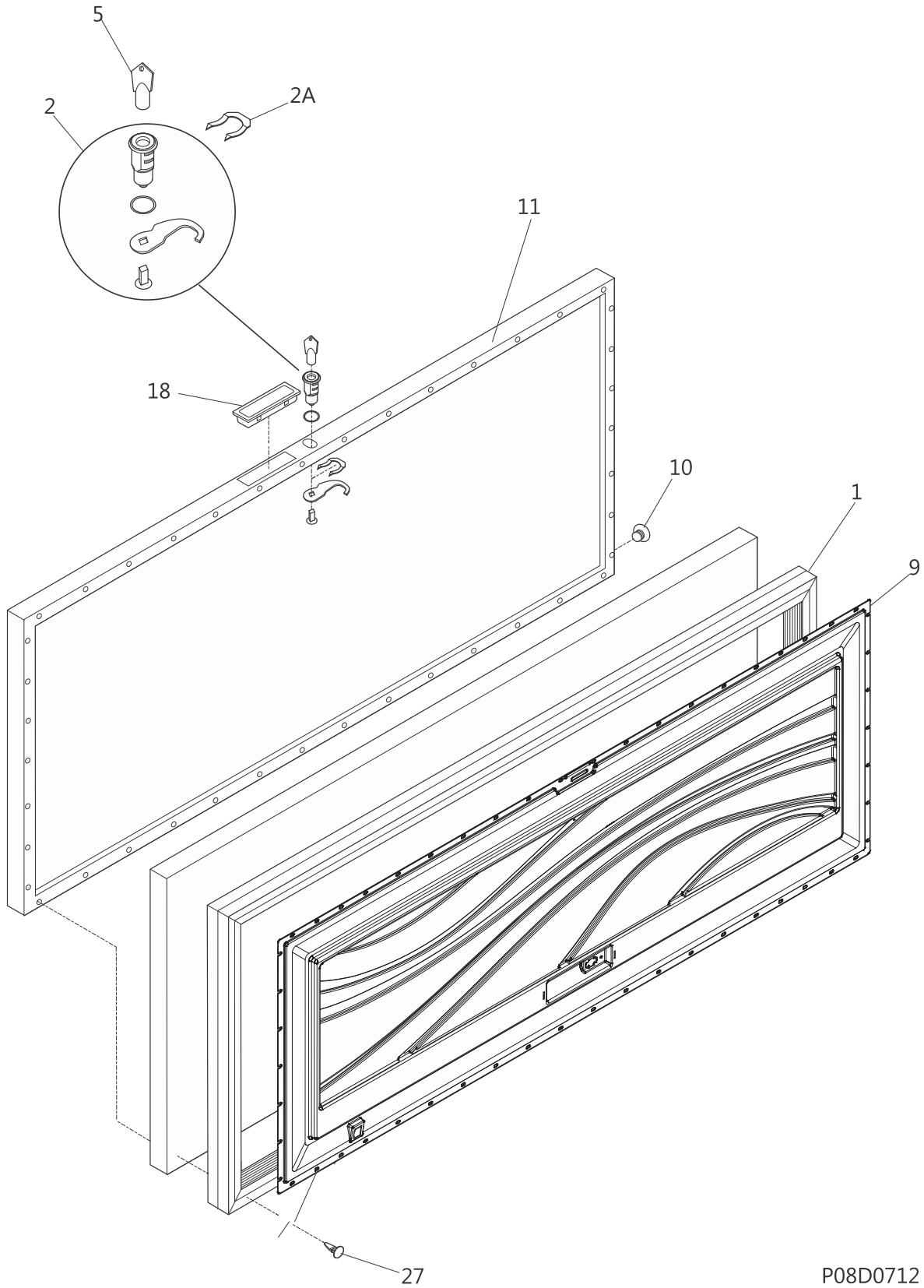
This Catalog replaces 5995652293

Publication No.
5995659512
15/04/08
(EN/SERVICE/)
365

FREEZER CHEST

Model No.
KCCF070QW

DOOR

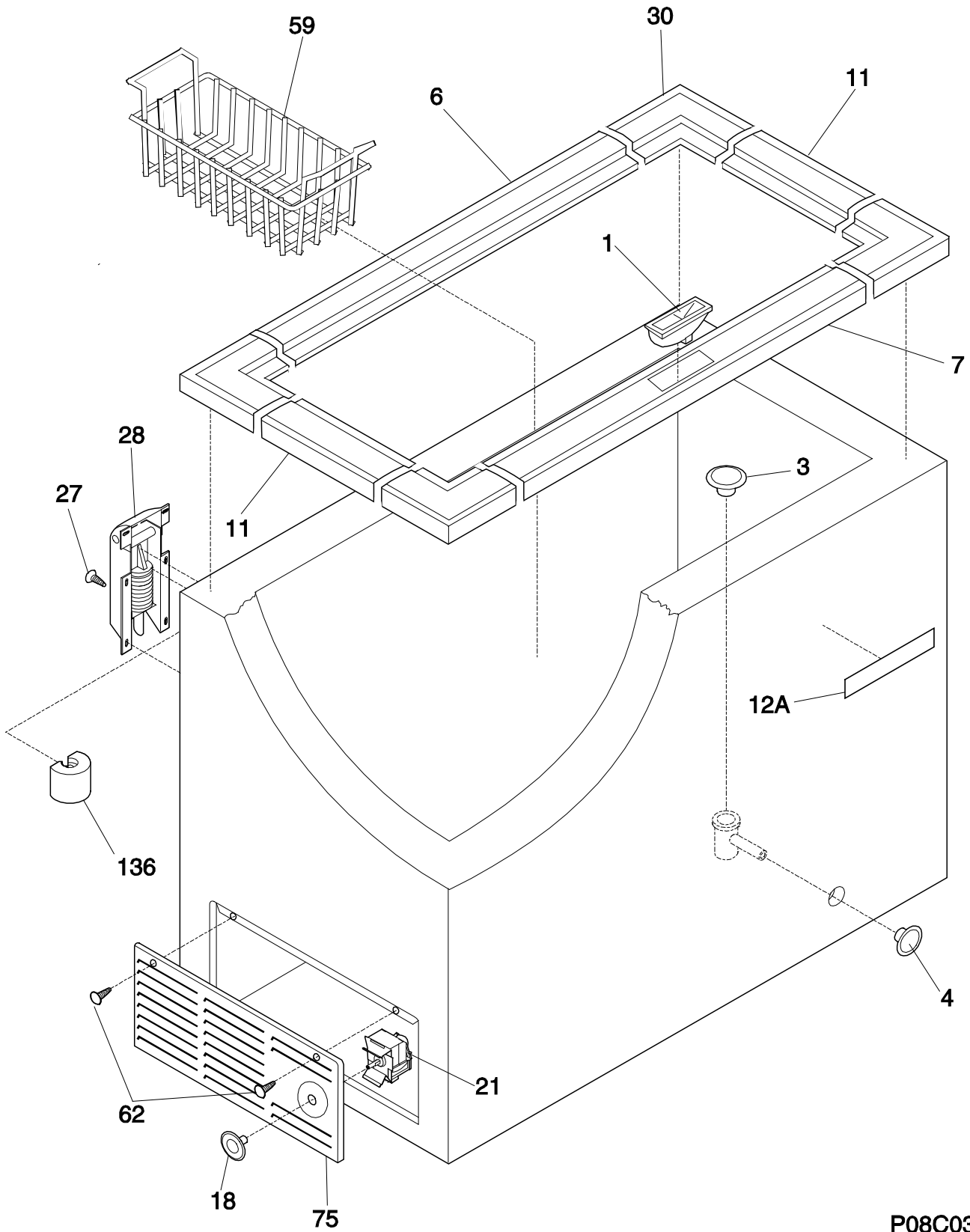


P08D0712

DOOR

POS. NO	PART NO.	DESCRIPTION
1	297400311	Gasket, white
2	297090100	Lock Assy
2A	297090900	Clip, spring
5	297147700	Key, lock
9	297400004	Panel, inner
10	216923001	Plug button, 1/4", white
11	297399703	Lid, W/LK POCKET, white
18	297034202	Handle, recessed, chrome, w/gasket
27	5304406520	Clip, panel mtg kit, (40)
27*	5303212828	Clip, panel mtg
*	240494001	Plug-button, white, cab liner holes
*	297443402	Insulation
*	216858001	Screw, 8-18x.50 AB, #10

CABINET

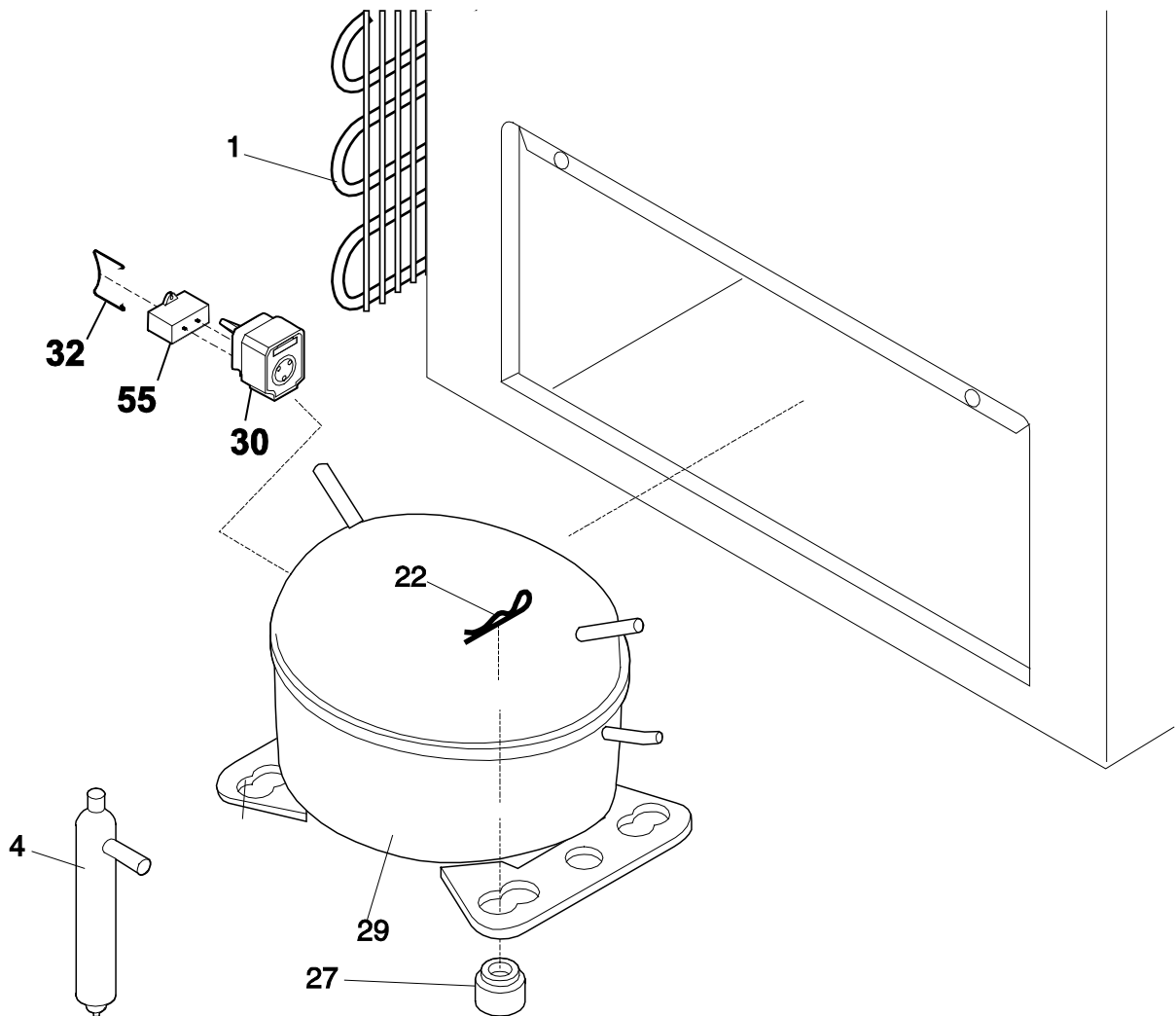
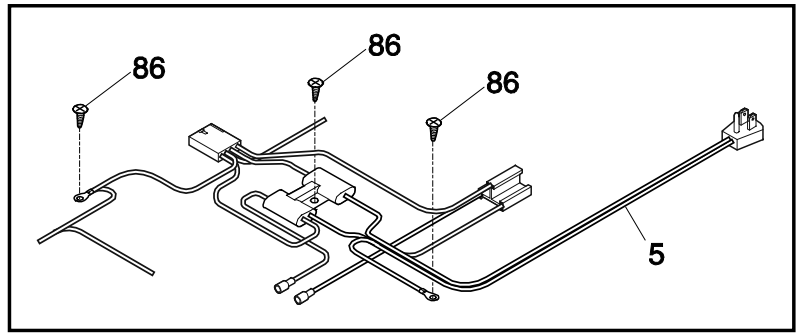
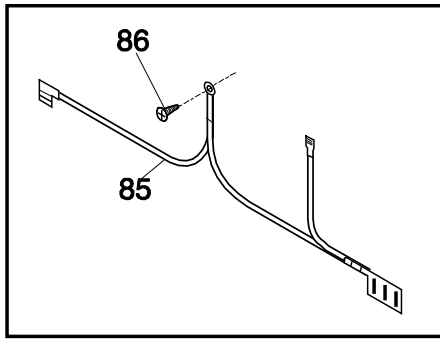


P08C0358A

CABINET

POS. NO	PART NO.	DESCRIPTION
1	216954500	Catch-lock
3	216502600	Plug, drain, interior
4	297013600	Plug, drain, exterior
6	297400602	Breaker
7	297400603	Breaker, w/lock
11	297400606	Breaker, white, chest end, (2)
12A	297146601	Nameplate, Commercial
18	216707201	Knob, temp control
21	297216000	Control-temperature
27	216337701	Screw, HWH, 10-24 x 0.500, Swage
28	297313200	Hinge Assy
30	297400500	Breaker-corner, white
59	297118501	Basket
75	297412700	Panel, access, white
136	216706700	Guard-splash
*	5303305324	Paint, touch-up, white
*	297151500	Caster Pack, 4 casters, wrench, 16 screws
*	216621000	Caster
*	5304493735	Wire Guard
*	216858001	Screw, 8-18x.50 AB, #10

SYSTEM



P08S0355

SYSTEM

POS. NO	PART NO.	DESCRIPTION
1 #	5303280307	Condenser
4 #	297396820	Filter-dryer
5 #	297345810	Harness
22	216056401	Clip-compressor mtg
27	216337701	Screw, HWH, 10-24 x 0.500, Swage
29 #	297406910	Compressor
*	297405100	Support, compressor
30	297259511	Controller, compressor
32	216954300	Clip, controller
55 #	297286805	Capacitor-run
85	216818300	Wire-ground
86	216707801	Screw, PH, 8-32 x 1/2, wiring harness
*	297398000	Spacer
*	216858001	Screw, 8-18x.50 AB, #10