



**Kelvinator** 

## Factory Parts Catalog

Product No.	KCCF220QWA
Series	Commercial
Color	white
Volts	115
Wiring Diagram	
Owner's Guide	A01063901
Market	North America
Energy Guide	

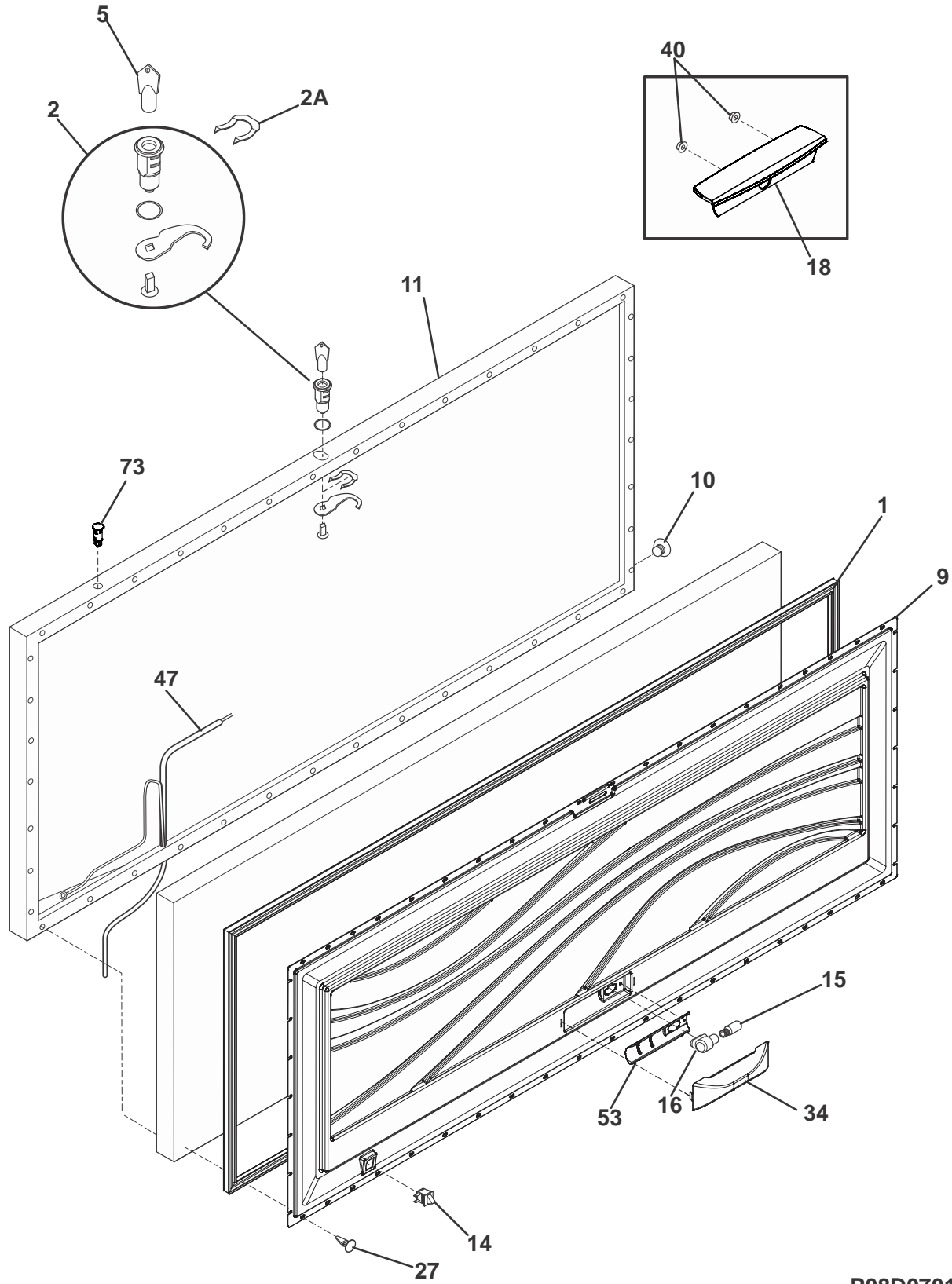
This Catalog replaces 5995652004

Publication No.  
**5995659538**  
15/04/08  
(EN/SERVICE/)  
365

### **FREEZER CHEST**

Model No.  
**KCCF220QW**

DOOR



P08D0701A

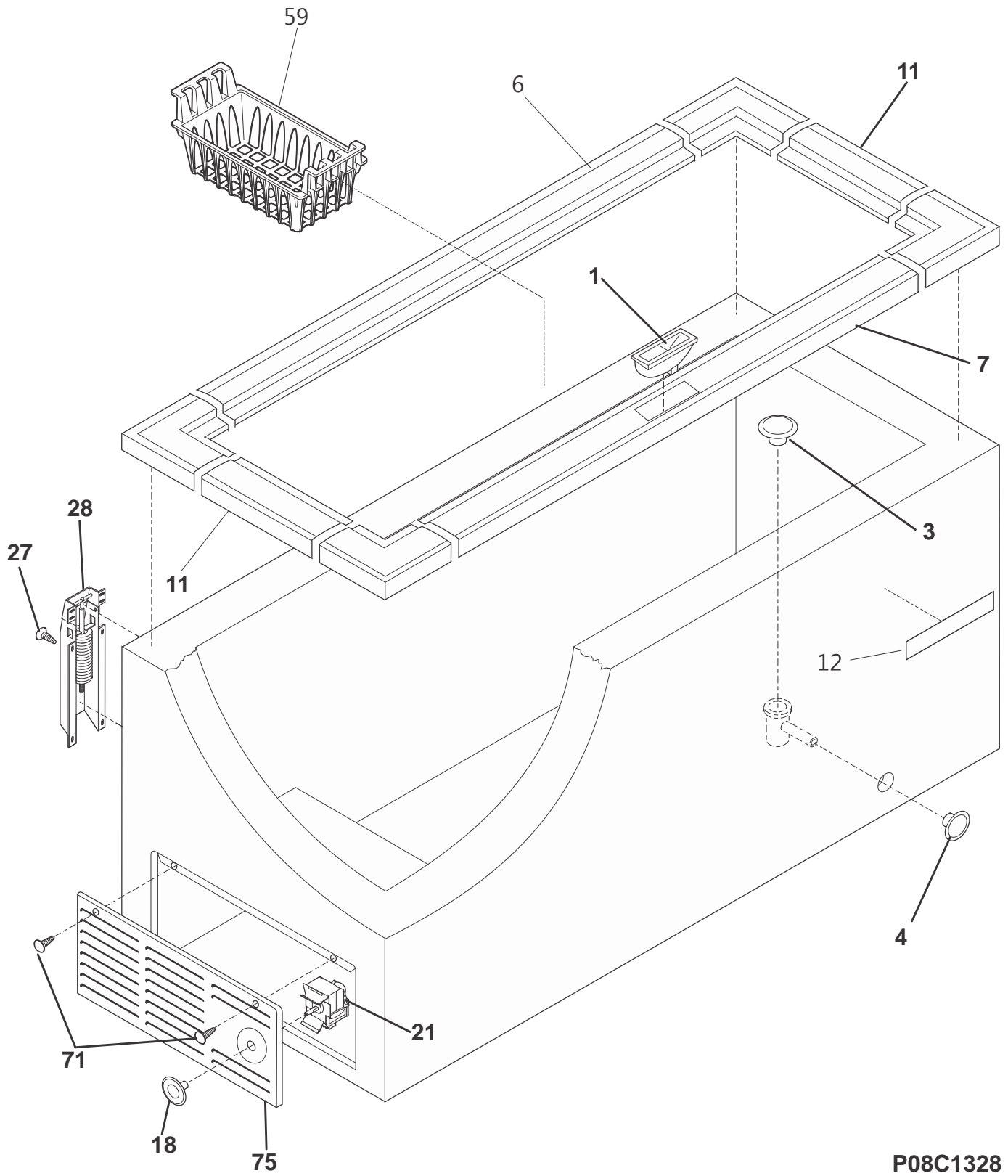
---

**DOOR**


---

POS. NO	PART NO.	DESCRIPTION
1	216469311	Gasket-door, white
2	297090100	Lock Assy
2A	297090900	Clip, spring
5	297147700	Key, lock
9	297376300	Panel-inner door, frzr
10	216923001	Plug button, 1/4", white
11	216032429	Panel-outer door, white
14	216822900	Switch, light/lamp, ramp
15	297070300	Light Bulb, 25W, 130V
16	297139501	Socket, light/lamp, 25 W
18	297034202	Handle, recessed, chrome, w/gasket
27	5303212828	Clip, panel mtg
27*	5304406520	Clip, panel mtg kit, (40)
34	297438600	Shield, light
40	216922700	Fastener, .330 dia stud, handle, (2)
47	216819900	Wiring Harness, lid/defrost, with light
53	5304493988	Shield, heat
73	5304495394	Light signal, round, green
*	5303925098	Insulation
*	216858001	Screw, 8-18x.50 AB, #10

**CABINET**

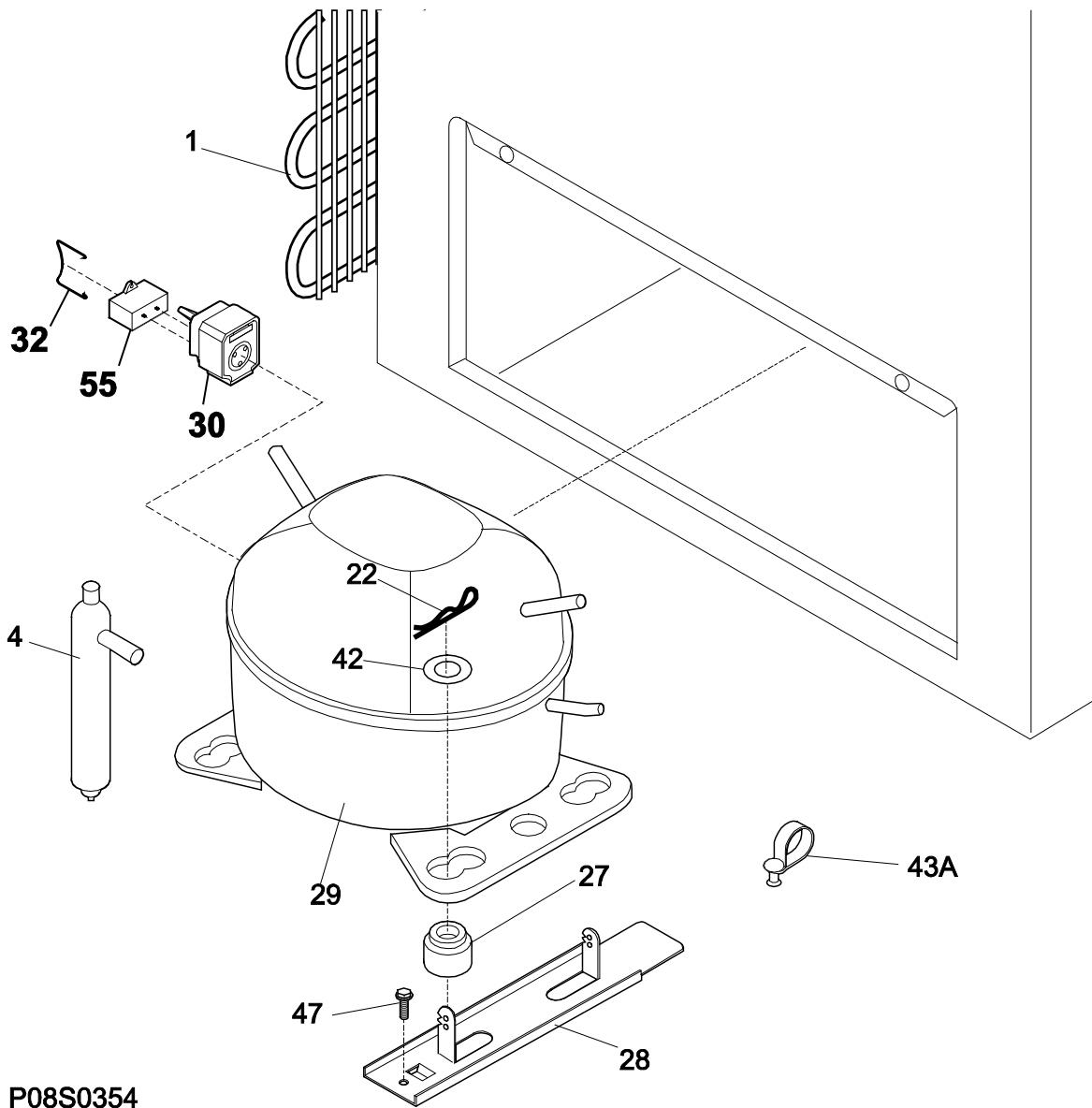
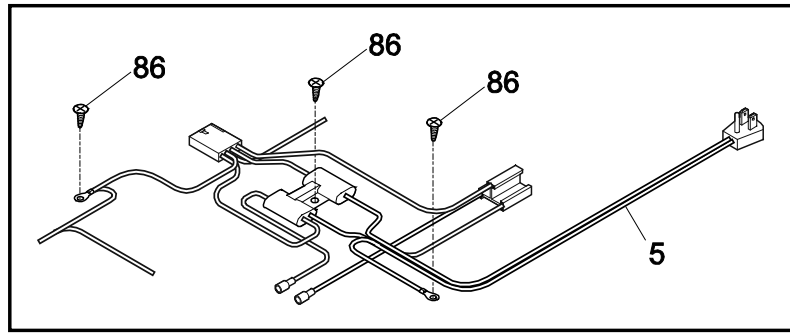


**P08C1328**

**CABINET**

POS. NO	PART NO.	DESCRIPTION
1	216954500	Catch-lock
3	216502600	Plug, drain, interior
4	297013600	Plug, drain, exterior
6	5304493713	Breaker
7	5304495898	Breaker, w/lock
11	5304493668	Breaker, white, chest end
12A	297146601	Nameplate, Commercial
18	216707201	Knob, temp control
21 #	297216036	Control-temperature
27	216629601	Screw, hex washer head, 10-16 x 0.500, tapping
28	297322100	Hinge, assy
30	5304495365	Breaker, white, corners
59	297404901	Basket
71	5303302714	Screw, #8-18 x .75
73	5304495394	Light signal, round, green
75	216034301	Panel, access, white
*	5303305324	Paint, touch-up, white
*	297151500	Caster Pack, 4 casters, wrench, 16 screws
*	216621000	Caster
*	5303313703	Clip, wire
*	216858001	Screw, 8-18x.50 AB, #10

**SYSTEM**



P08S0354

---

**SYSTEM**


---

POS. NO	PART NO.	DESCRIPTION
1 #	5304496610	Condenser
4 #	297396820	Filter-dryer
5 #	297346211	Harness, main
22	216056401	Clip-compressor mtg
27	5308002681	Grommet, compressor
28	5304464023	Support, compressor
29 #	5304494536	Compressor, EGD80HLC
30	297237702	CONTROLLER TSD
32	241982601	Clip, controller, compressor
42	216232701	Washer, flat
43A	5303212614	Clip, harness mount
47	216629601	Screw, hex washer head, 10-16 x 0.500, tapping
55	297286802	Capacitor-run, 250 VA, 12 MF
86	216036601	Screw, RWHD, 8-32A x 0.500, GX-CA
*	297102800	Spacer-tube
*	216858001	Screw, 8-18x.50 AB, #10