

**Kelvinator** 

Factory Parts Catalog

Product No.	KCG050LW0
Series	Commercial
Color	white
Volts	115V
Owner's Guide	297147500
Market	North America

 **Electrolux**

Electrolux Major Appliances  
 North & Latin America  
 P.O. BOX 212378  
 AUGUSTA, GA 30917

Publication No.  
**5995560561**  
 10/03/02  
 (EN/SERVICE/MLR)  
 365

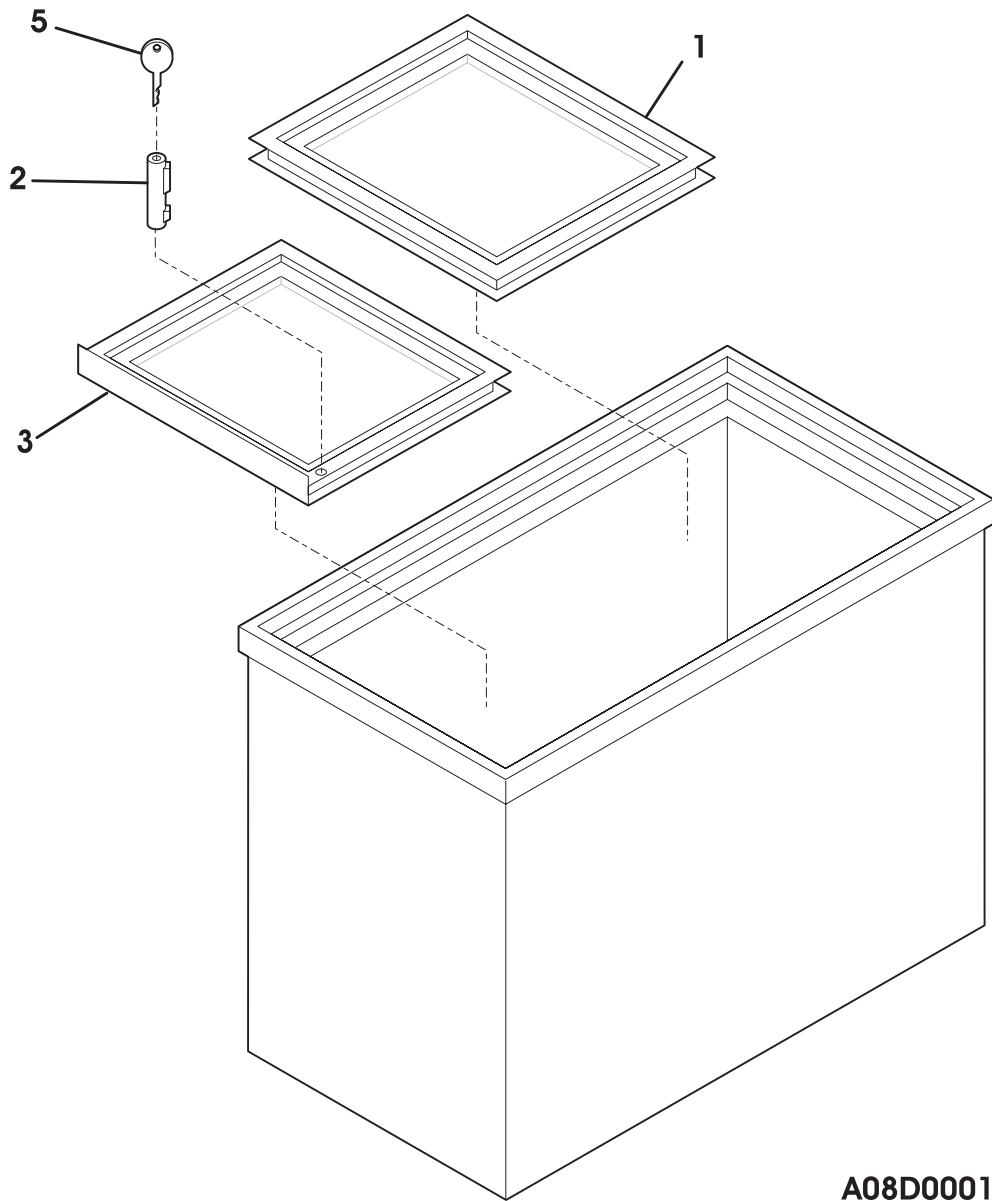
**FREEZER CHEST**

Model No.  
**KCG050LW**

Copyright © 2010 Electrolux Home Products, Inc.  
 All rights reserved.

**DOOR**

---



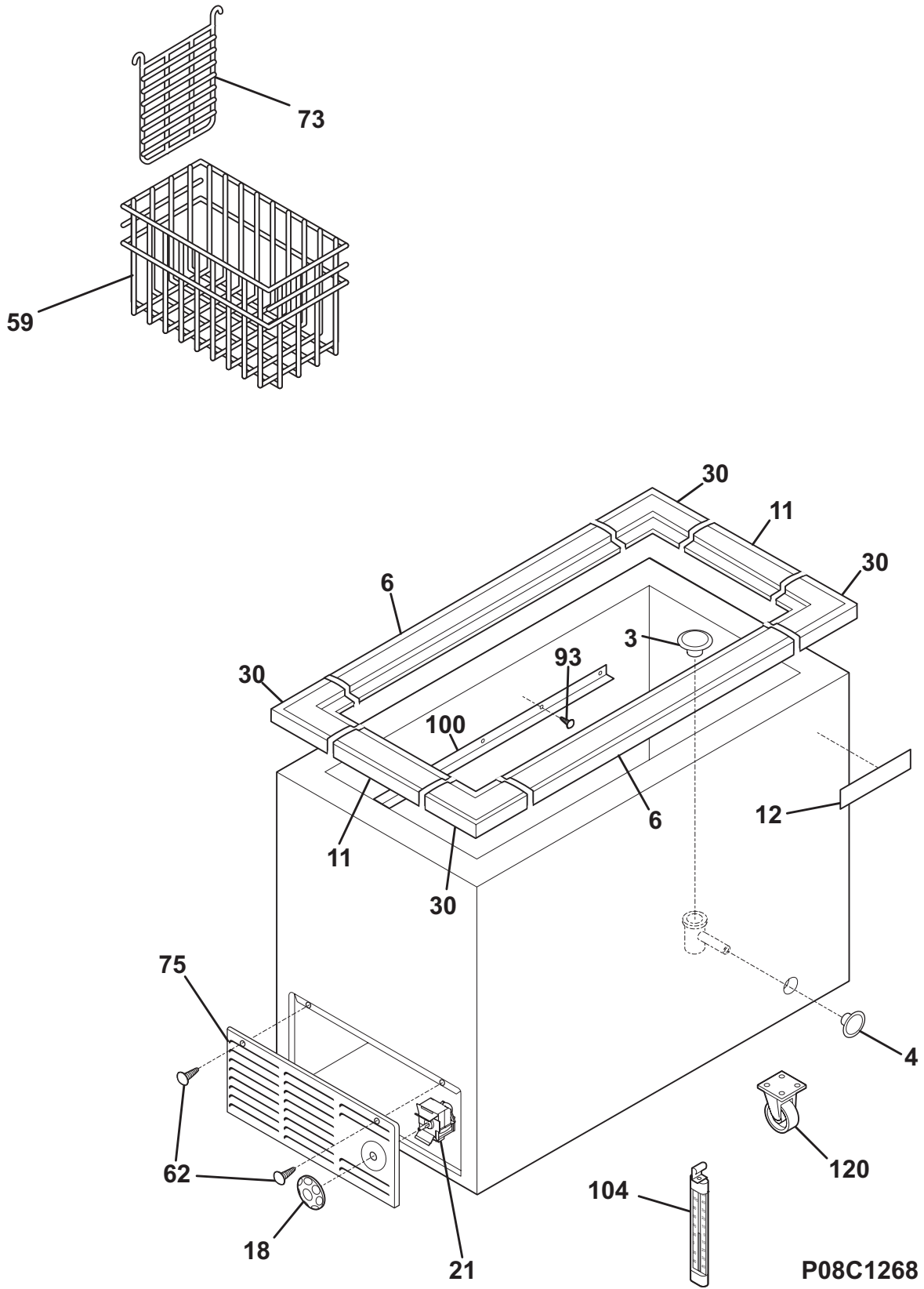
**A08D0001**

**DOOR**

---

POS. NO	PART NO.	DESCRIPTION
1	216620601	Lid, chest freezer, glass, upper
2	216621200	Lock Assy, frzr lid
3	216620701	Lid, chest freezer, glass, lower
5	216621300	Key, frzr lid lock

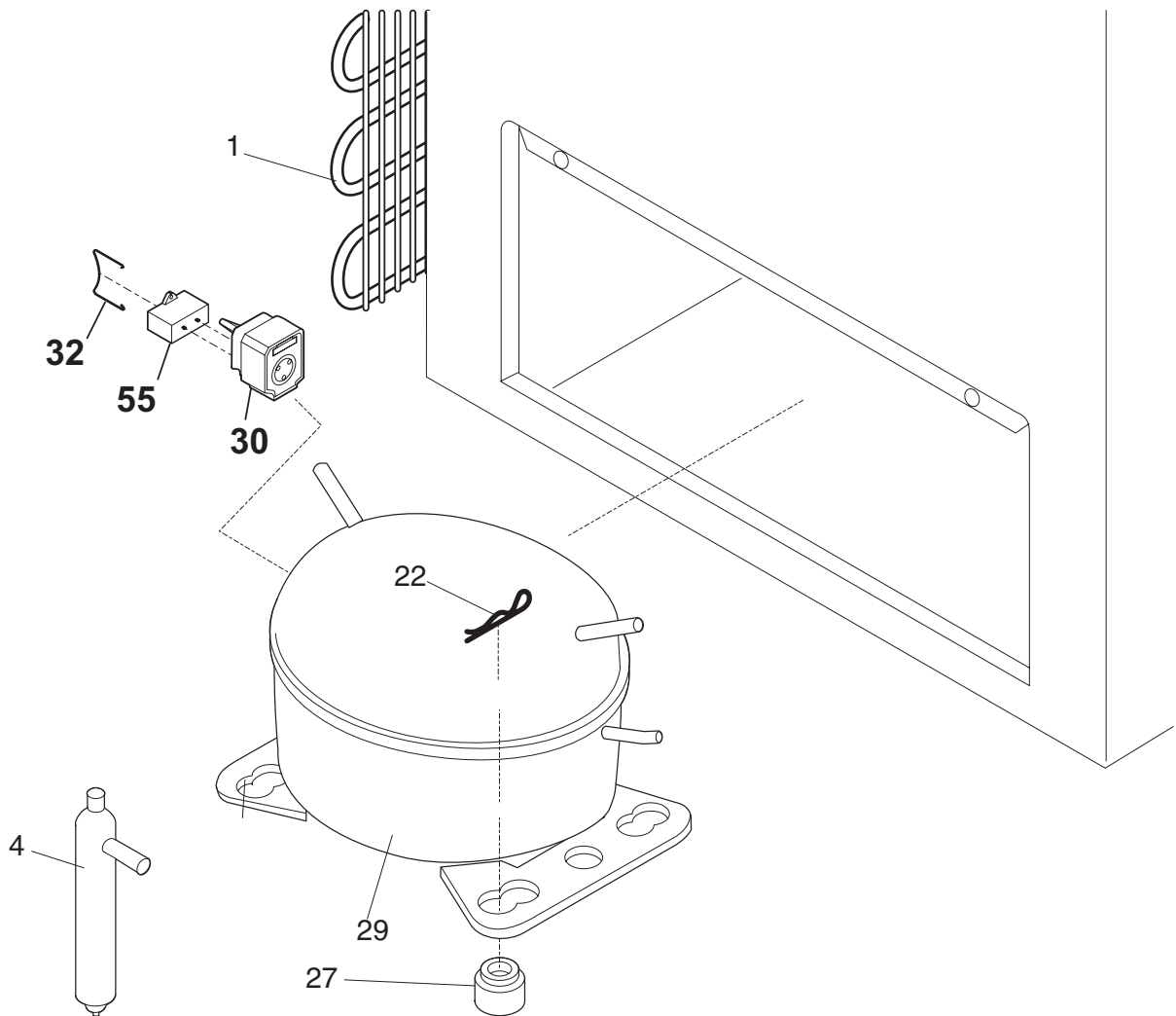
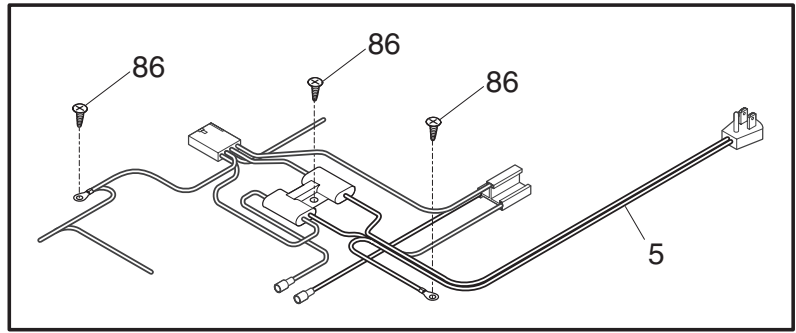
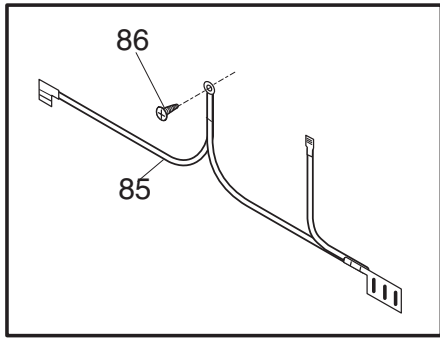
**CABINET**



**CABINET**

POS. NO	PART NO.	DESCRIPTION
3	216502600	Plug, drain, interior
4	297013600	Plug, drain, exterior
6	216855700	Breaker, hinge side
11	216855706	Breaker-ends, white
12	297146600	Nameplate, Commercial
18	216707201	Knob, temp control
21 #	216787700	Control-temperature
30	216105500	Breaker-corners, white
59	297118401	Basket
62	5304463819	Screw, AB, 8-18X3/8
73	297118001	Divider, basket
75	216782000	Panel-access, white
93	5304460605	Screw, ph truss head, 8-18AB x 0.500
100	216654100	Track-basket
104	297070100	Thermometer
120	216621000	Caster
*	216649700	CASTER PACK, 4 casters, wrench, 16 screws
*	297095300	Plug, white

**SYSTEM**



P08S0355

**SYSTEM**

---

POS. NO	PART NO.	DESCRIPTION
1	5300120779	Condenser
4	216987500	Drier-filter
5 #	<a href="#">216952000</a>	Harness-main
22	<a href="#">216056401</a>	Clip-compressor mtg
27	297293302	Grommet, compressor
29 #	<a href="#">297270400</a>	Compressor, w/o electricals
30	<a href="#">216954222</a>	Controller
32	216649200	Clip, controller
55	<a href="#">216985002</a>	Capacitor, run, 12 MF
85	216818300	Wire-ground
86	216707801	Screw, PH, 8-32 x 1/2, wiring harness