

Kelvinator 

Factory Parts Catalog

| | |
|---------------|---------------|
| Product No. | KCG090LW0 |
| Series | Commercial |
| Color | white |
| Volts | 115V |
| Owner's Guide | 297147500 |
| Market | North America |

 **Electrolux**

Electrolux Major Appliances
North & Latin America
P.O. BOX 212378
AUGUSTA, GA 30917

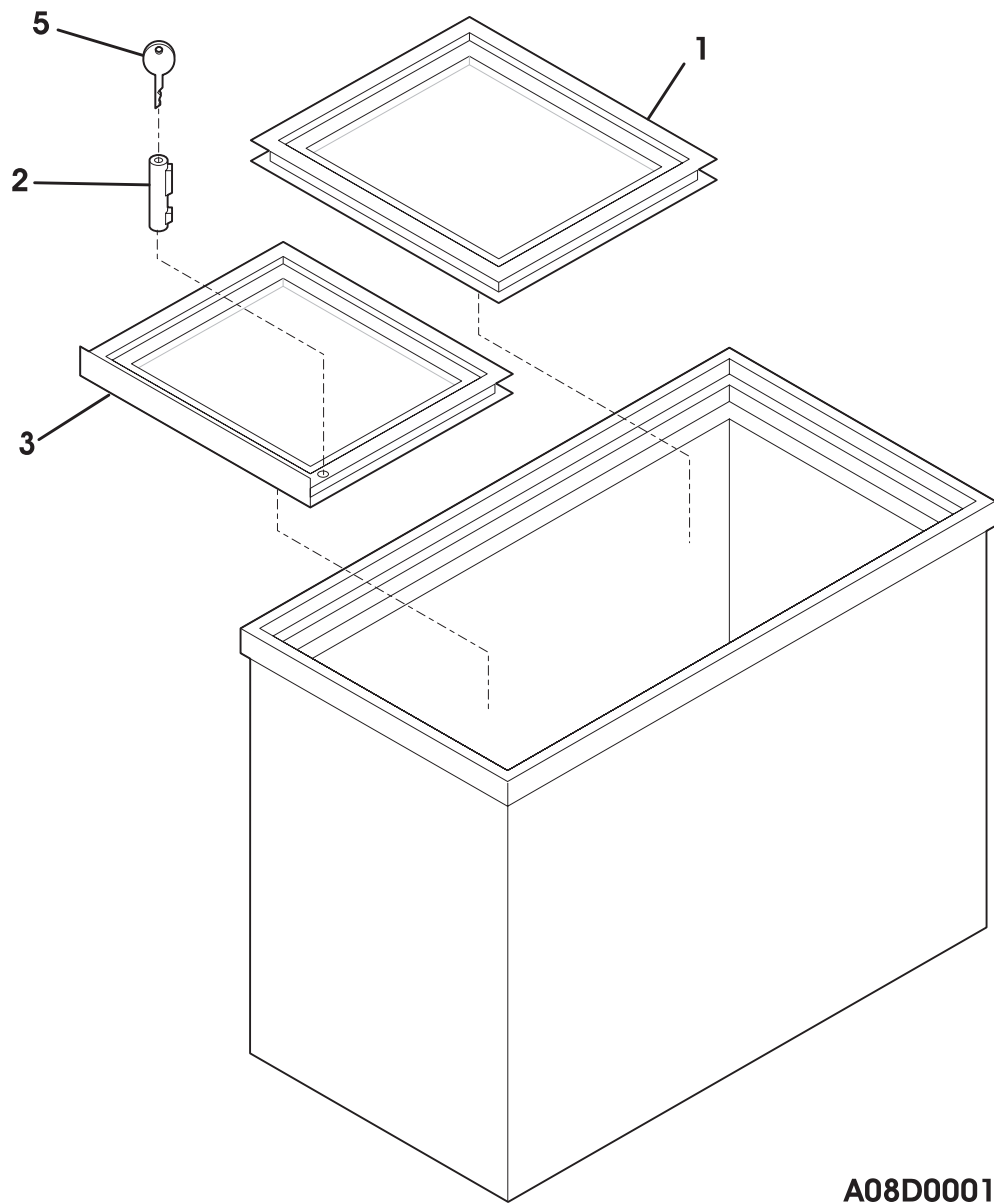
Publication No.
5995560595
10/03/02
(EN/SERVICE/MLR)
365

FREEZER CHEST

Model No.
KCG090LW

Copyright © 2010 Electrolux Home Products, Inc.
All rights reserved.

DOOR

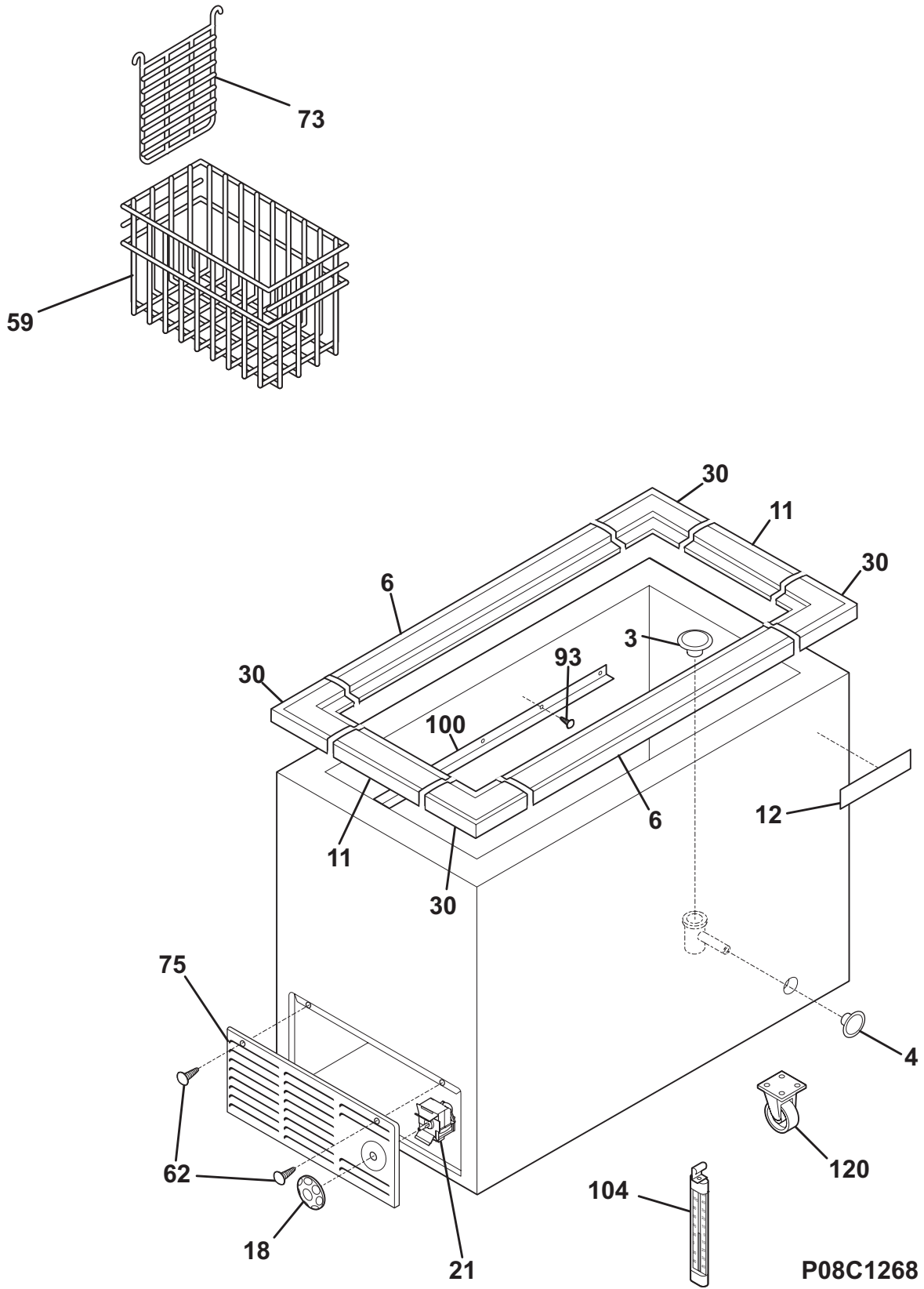


A08D0001

DOOR

| POS. NO | PART NO. | DESCRIPTION |
|---------|---------------------------|----------------------------------|
| 1 | 216620603 | Lid, chest freezer, glass, upper |
| 2 | 216621200 | Lock Assy, frzr lid |
| 3 | 216620703 | Lid, chest freezer, glass, lower |
| 5 | 216621300 | Key, frzr lid lock |

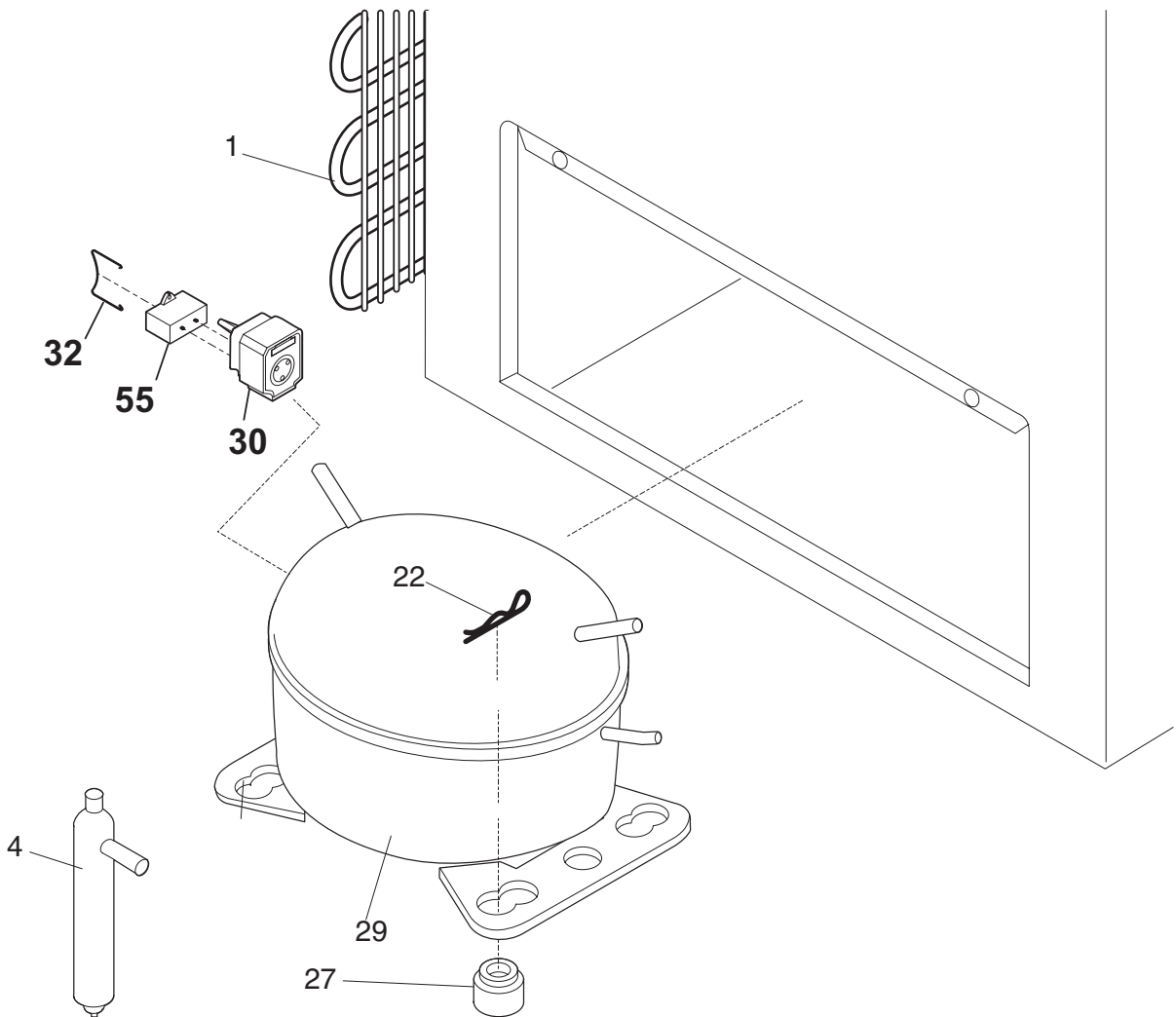
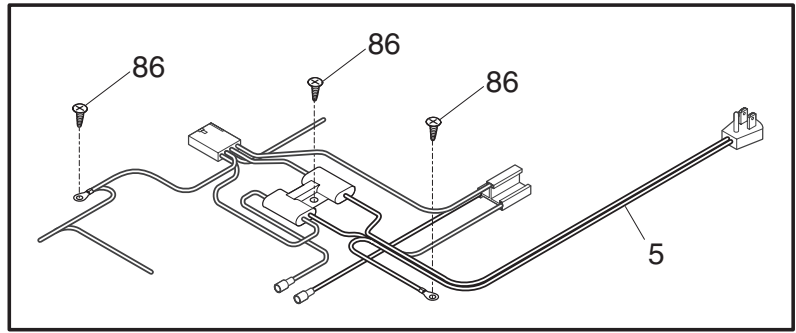
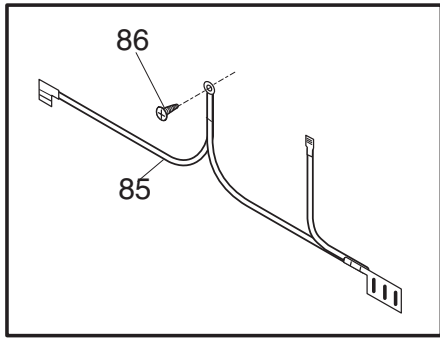
CABINET



CABINET

| POS. NO | PART NO. | DESCRIPTION |
|---------|---------------------------|---|
| 3 | 216502600 | Plug, drain, interior |
| 4 | 297013600 | Plug, drain, exterior |
| 6 | 216855704 | Breaker-hinge side, white |
| 11 | 216855706 | Breaker-ends, white |
| 12 | 297146600 | Nameplate, Commercial |
| 18 | 216707201 | Knob, temp control |
| 21 # | 216787700 | Control-temperature |
| 30 | 216105500 | Breaker-corners, white |
| 59 | 297118401 | Basket |
| 62 | 5304463819 | Screw, AB, 8-18X3/8 |
| 73 | 297118001 | Divider, basket |
| 75 | 216782000 | Panel-access, white |
| 93 | 5304460605 | Screw, ph truss head, 8-18AB x 0.500 |
| 100 | 216654300 | Basket, track freezer |
| 104 | 297070100 | Thermometer |
| 120 | 216621000 | Caster |
| * | 216649700 | CASTER PACK, 4 casters, wrench, 16 screws |
| * | 297095300 | Plug, white |

SYSTEM



P08S0355

SYSTEM

| POS. NO | PART NO. | DESCRIPTION |
|---------|---------------------------|---------------------------------------|
| 1 # | 5300120781 | Condenser |
| 4 | 216987501 | Drier-filter |
| 5 # | 216952000 | Harness-main |
| 22 | 216056401 | Clip-compressor mtg |
| 27 | 297293302 | Grommet, compressor |
| 29 # | 297270400 | Compressor, w/o electricals |
| 30 | 216954222 | Controller |
| 32 | 216649200 | Clip, controller |
| 55 | 216985002 | Capacitor, run, 12 MF |
| 85 | 216818300 | Wire-ground |
| 86 | 216707801 | Screw, PH, 8-32 x 1/2, wiring harness |