



Kelvinator 

Factory Parts Catalog

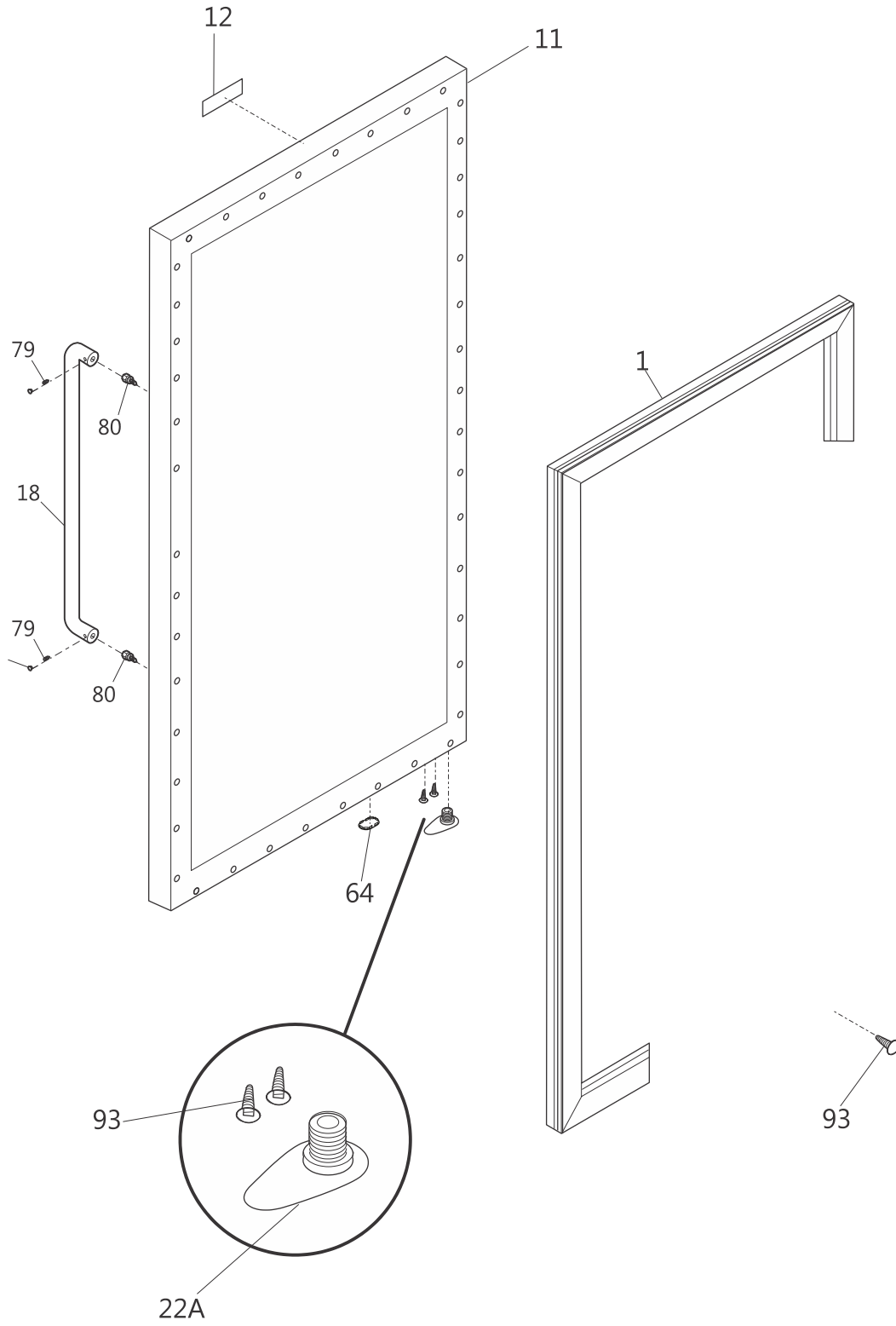
Product No.	KCGM180RQYB
Series	Commercial
Color	gray
Volts	115V
Owner's Guide	A01063601
Market	North America

REFRIGERATOR

Model No.
KCGM180RQY

Publication No.
5995674305
16/03/29
(EN/SERVICE/)
365

DOOR



P08D0714

DOOR

POS. NO	PART NO.	DESCRIPTION
1	216657201	Gasket-door, black
11	297071600	Door-assy, glass
12	297146601	Nameplate, Commercial
18	297314000	Handle
21A	216850900	Screw, hex washer hd, 1/4 x 7/8, door stop/hng
22A	216335400	Bearing-hinge
64	297014702	Plug-button, door base
79	218755401	Screw-set, 10-32 x 0.375
80	218755504	Screw, shoulder, #10-AB, handle mounting
93	216858001	Screw, 8-18x.50 AB, #10
*	297410600	Screw, 8-18 X .500

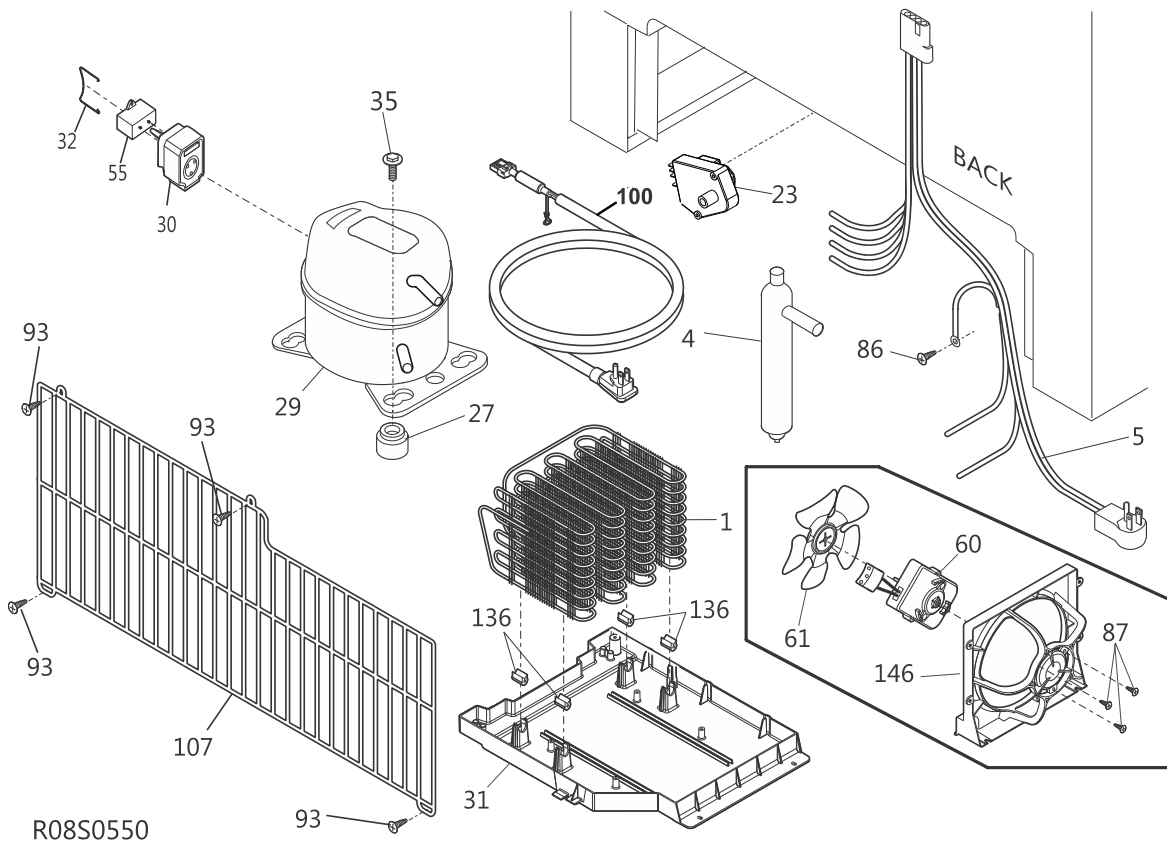
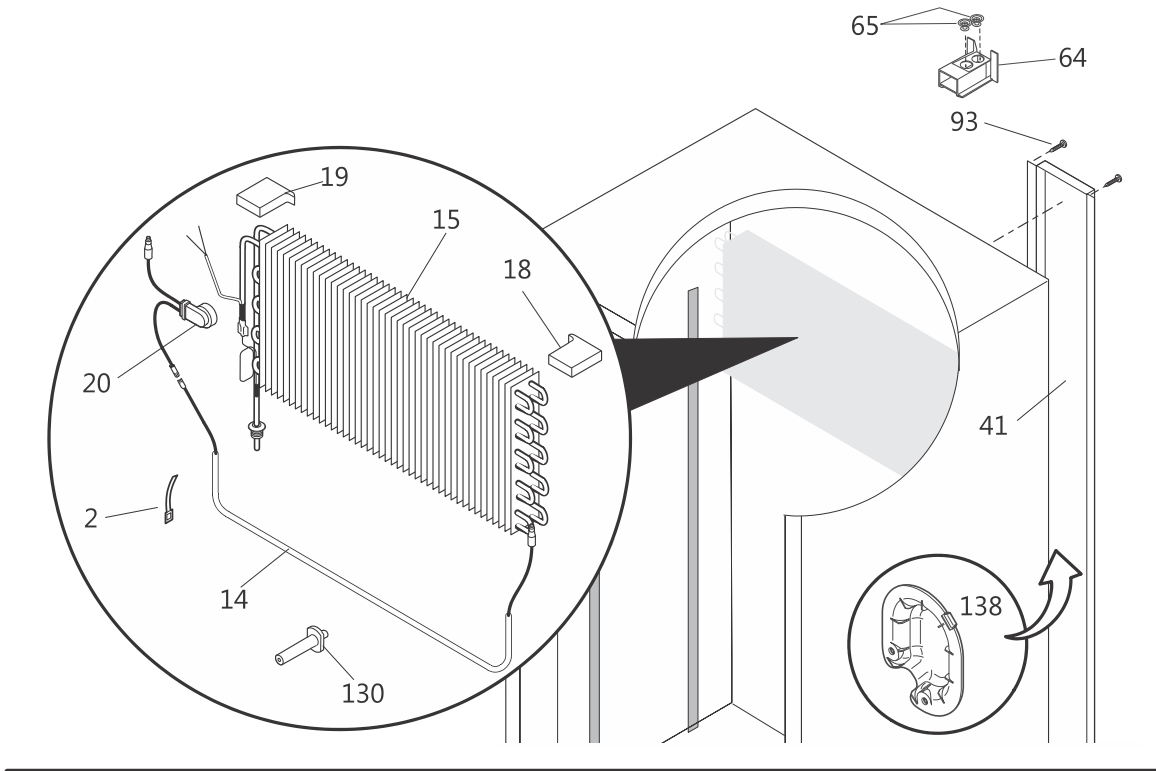
CABINET

POS. NO	PART NO.	DESCRIPTION
1	297222500	Lock-catch
5 #	216325600	Fan Blade
6	297200900	Breaker Kit w/corners
9	297200100	Breaker Kit w/corners, 32", top and bottom
13 #	297250000	Motor, fan, 115 V
14	297243800	Switch, light/lamp, plunger
15	216659500	Lamp, fluorescent, T8, 17 watt
16	216659900	Socket-light/lamp
16*	297173500	Ballast, FI Lamp
18	216591501	Knob, temp control
20	297121900	Clip, shelf support
21 #	297216018	Control-temperature
22	216823500	Clamp, cap tube, cold control
22A	5303916855	Tube, sensor sleeve, plastic, clear
24	5304460604	Screw, type A, 10-24 x 3/8
25	297421404	Cover, evaporator
28	216658900	Hinge-bottom
29	216361901	Hose-drain
31	297165800	Pan-drain
33	297421501	Duct, air
34	216659400	Shield-light
35	216273000	Clip, wire retainer
37	297273903	Trim-cabinet corner, silver mist, (2)
38	297211200	Hinge-upper
38A*	297242900	Hinge, assy, LH, w/instructions
42	5304494905	Shelf, full frame
43	5304494906	Shelf, cup, partial
47	216680600	Deflector-air
49	297471401	Trivet
50	08013207	Bracket-fan motor
63	216396900	Screw, leveling foot, plastic, adjustable
63*	297164650	Bracket, LH leg levelor
63*	297164651	Bracket, RH leg levelor
71A	216395801	Screw, 1/4 20 x 1/2
71A	297146820	Screw, 8-18AB x.470 QX
72	297071200	Grille/Kickplate
86	216036601	Screw, RWHD, 8-32A x 0.500, GX-CA
92	216850900	Screw, hex washer hd, 1/4 x 7/8, door stop/hng
93	216858001	Screw, 8-18x.50 AB, #10
105	297439601	Gasket, evaporator, RH
107	297085805	Castor Kit
109	297014200	Venturi, blower
110	216377000	Pan-drain, condensate
111	297141400	Bracket-evap cover
111*	3017666	Nut-insert
112	216381300	Cover-drain, condensate
113	216383602	Grate-air intake
114	297014400	Cover-blower
115	297439602	Gasket, evaporator, LH
116	216383800	Gasket-evap cover, front
120	297206600	Caster-front, (2)

CABINET

POS. NO	PART NO.	DESCRIPTION
121	297206500	Caster-rear, (2)
122	215774920	Plug button, silver mist
122*	297095301	Plug, black
122A	216429602	Plug-button, black, upr hinge holes
126	216658601	Nut, lock, 5/16 UNC-3B
130	297244700	Support, evaporator mtg
131	297122000	Shelf-standard
133	216658401	Bolt, caster, 5/16 sq. neck, front
134	297236250	Screw, hex head, 1/4-20x5/8, hinge
159	297070201	Dial, thermometer
160	297096100	Screw, #6-20X.375 AB, stainless, thermo dial
169	216912401	Screw, hex washer head, 8-32 x 0.500, bracket fan mtr, (2)
208	216504500	Screw, AB, 8-18x.500
* #	297069500	Harness, electrical, evaporator
*	297001708	Insulation, drain tube, 36"
*	5303311565	Clip-cable
*	5303313703	Clip, wire

SYSTEM



SYSTEM

POS. NO	PART NO.	DESCRIPTION
1 #	5300083897	Condenser
2	5308000110	Strap-evap/heater, aluminum, (2)
4 #	216938601	Filter - Dryer
5 #	5304501376	Harness, wiring, main
14	216730700	Heater-defrost
15 #	297311300	Evaporator
18	297078701	Insulator-evap, styrofoam, RH
19	297078801	Insulator-evap, styrofoam, LH
20	216731001	Thermostat, defrost
23 #	297318010	Timer, defrost, 115V, tab
27	297293302	Grommet, compressor
29 #	297414054	Compressor
30	297259502	Controller, compressor
31	297165800	Pan-drain
32	216954300	Clip, controller
35	297368500	Bolt, compressor
41	297070700	Cover-wiring, rear
55 #	297286803	Capacitor-run
60	297279500	Motor-condenser fan
61	241639501	Blade-condenser fan
64	216578800	Vent
65	5309950074	Valve, breather
65*	297318700	Vent assy, w/breather valv
86	216036601	Screw, RWHD, 8-32A x 0.500, GX-CA
93	5304460605	Screw, ph truss head, 8-18AB x 0.500
100#	297366800	Cord, power
107	297225501	Cover, access
116	216383800	Gasket-evap cover, front
130	297244700	Support, evaporator mtg
136	240405201	Grommet, rubber, black, cond tube/wire
138	297070800	Cover-drain hose
146	297164000	Shroud-fan orifice
146*	216337701	Screw, HWH, 10-24 x 0.500, Swage
*	297082300	Harness-jumper
*	297111000	Standoff
*	297315800	Clip, wire
*	5303311565	Clip-cable
*	216225700	Grommet-spacer
*	216858001	Screw, 8-18x.50 AB, #10
*	240555002	Screw-#8-32 X 3/8
*	297174300	Screw, self pierce, #8, 18x.63