



Kelvinator 

Factory Parts Catalog

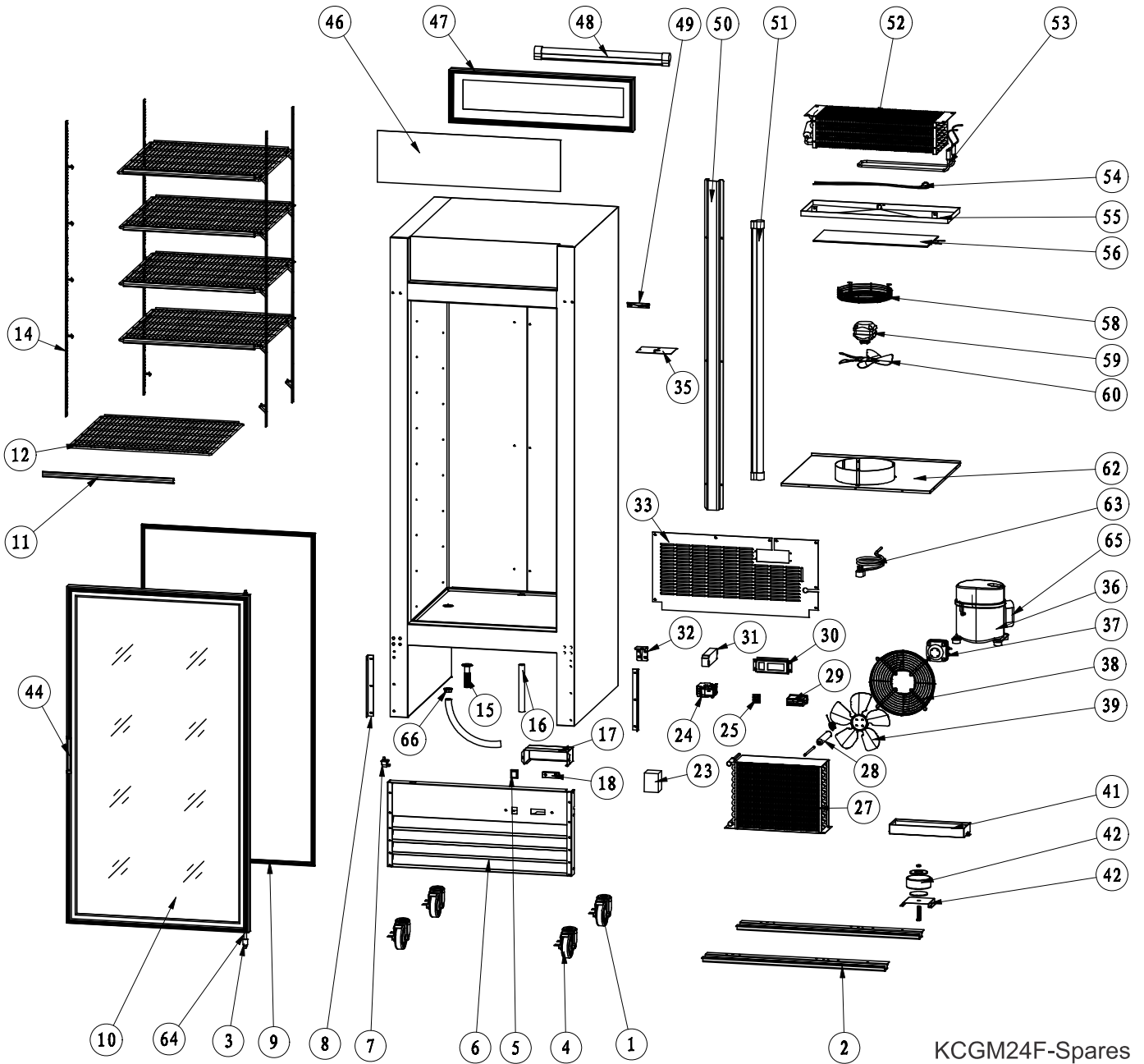
Product No.	KCGM24FB	KCGM24FW
Series	Frzr-glass door	Frzr-glass door
Color	black	white
Volts	115	115
Wiring Diagram	North America	North America
Market	2014	2014

TOP-MOUNT REFRIGERATOR

Model No.
KCGM24F

Publication No.
5995652798
14/10/22
(EN/SERVICE/KC)
099

RECOMMENDED SPARE PARTS



KCGM24F-Spares

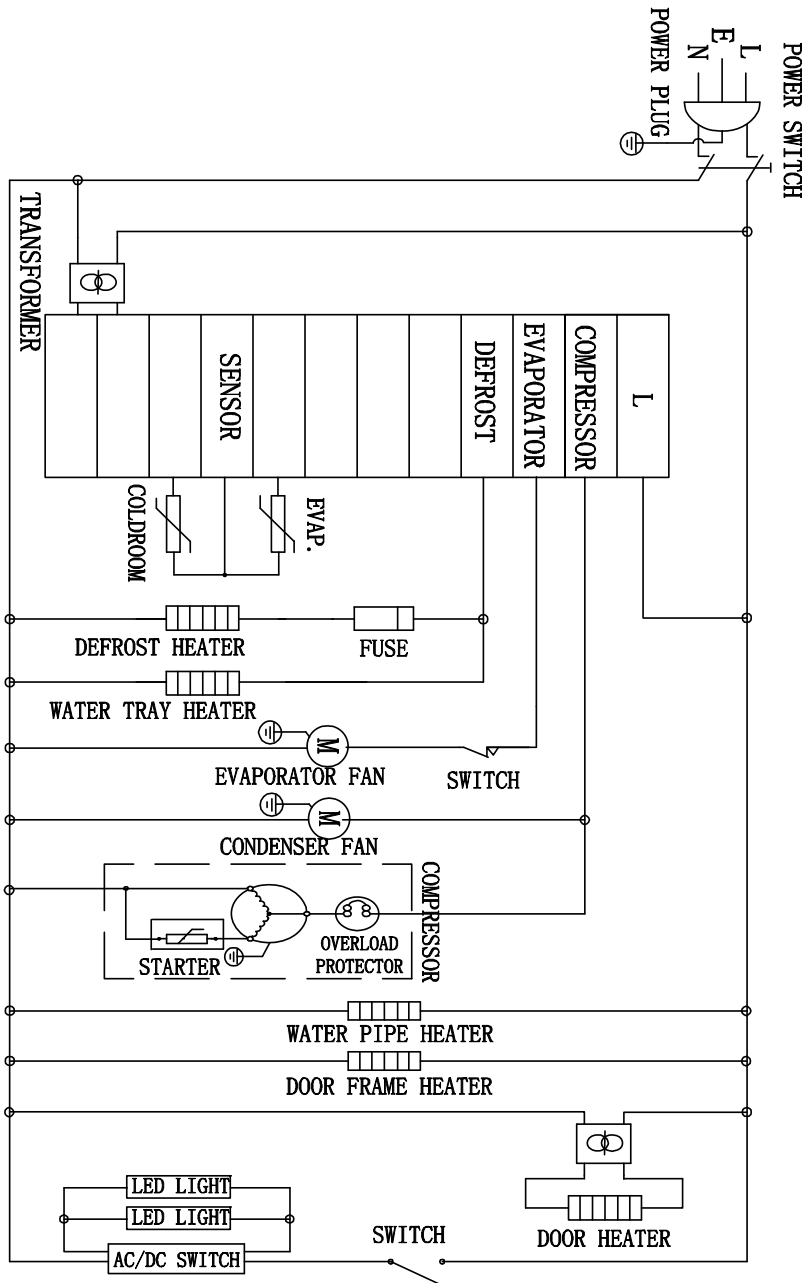
RECOMMENDED SPARE PARTS

		<i>Model Index:</i>	
		A KCGM24F (KCGM24FB)	
		B KCGM24F (KCGM24FW)	
POS. NO	PART NO.		DESCRIPTION
1	5304493319	A B	Caster, 4 inch diameter
2	5304498297	A B	Rail, caster mount
3	5304493267	A B	Hinge Pin
4	5304493320	A B	Caster, 4 inch diameter, locking
5 #	5304493279	A B	Switch, lamp, green
6	5304498299	A -	Grille, vent, black, front, louvers
6	5304498298	- B	Grille, vent, white, front, louvers
7 #	5304492259	A B	Switch, lamp, door activated
8	5304498300	A B	Block, front grille
9 #	5304498301	A B	Gasket, door seal
10	5304498302	A B	Door, glass
11	5304493132	A B	Tag Strip, price label, plastic
12	5304493131	A B	Shelf, steel, vinyl coated
14	5304498303	A B	Pilaster, shelf mount, 9 screw
15 #	5304493078	A B	Spout, drain tube
16 #	5304492265	A B	Tube, drain, outer
17	5304493269	A B	Shield, water, controller
18 #	5304493083	A B	Display, temperature, Fahrenheit
23 #	5304493077	A B	Transformer, temp display
24 #	5304492382	A B	Contact, AC
25 #	5304492248	A B	Switch, power
27 #	5304498304	A B	Condenser
28 #	5304492275	A B	Filter-drier
29 #	5304492245	A B	Controller, temp, (Carel)
30	5304493278	A -	Housing, controller, black
30	5304493277	- B	Housing, controller, white
31 #	5304493305	A B	Ballast, lamp
32	5304493329	A B	Hinge, bottom
33	5304493127	A -	Panel, svce access, black, rear
33	5304493126	- B	Panel, svce access, white, rear
35	5304493286	A B	Plate, wiring cover
36 #	5304493029	A B	Compressor, w/built-in ovld
37 #	5304492271	A B	Motor, condenser fan
38	5304492363	A B	Cover, condenser fan
39 #	5304492362	A B	Fan Blade, condenser fan
41	5304492276	A B	Drain Pan, defrost
42 #	5304493307	A B	Transformer Assy, door heater
44	5304493280	A B	Handle, door
46	5304498305	A B	Panel, front display, lamp lens
47	5304498307	A B	Frame, lamp housing
48	5304493285	A B	Lamp, LED
49	5304493281	A B	Hinge, door, upper right
50	5304498308	A B	Bracket, lamp mount, inside cab
51	5304498309	A B	Lamp, interior light, LED
52 #	5304498310	A B	Evaporator
53 #	5304498311	A B	Heater, evaporator, defrost
54 #	5304492344	A B	Heater, drain hose
55	5304498312	A B	Pan, defrost drain, evaporator
56 #	5304498313	A B	Heater, drain pan
58	5304498314	A B	Cover, evaporator fan
59 #	5304498315	A B	Motor, evaporator fan
60 #	5304492273	A B	Fan Blade, condenser fan
62	5304498316	A B	Cover, fan assembly, evaporator
63 #	5304492267	A B	Power Cord, electric, 115 V
64	5304493120	A B	Bushing, hinge pin
65 #	5304498317	A B	Electrical Parts, compressor
66	5304493080	A B	Cover, drain

WIRING DIAGRAM

Kelvinator Commercial

CIRCUIT DIAGRAM



MODEL : KCGM24FB
 TECHNIC PARAMETER

DESIGNED PRESSURE	
HIGH SIDE	360PSI
LOW SIDE	190PSI
REFRIGERANT	R404A
AMOUNT	18.7oz
FOAM AGENT	141b
RATED VOLTAGE	AC115V
FREQUENCY	60Hz
RATED CURRENT	9.6A
NET WEIGHT	185Kg
MANUFACTURED	

CONFORMS TO UL STD. 471
 CERTIFIED TO CSA STD. C22.2 No. 120-M91
 CONFORMS TO NSF/ANSI STD. 7