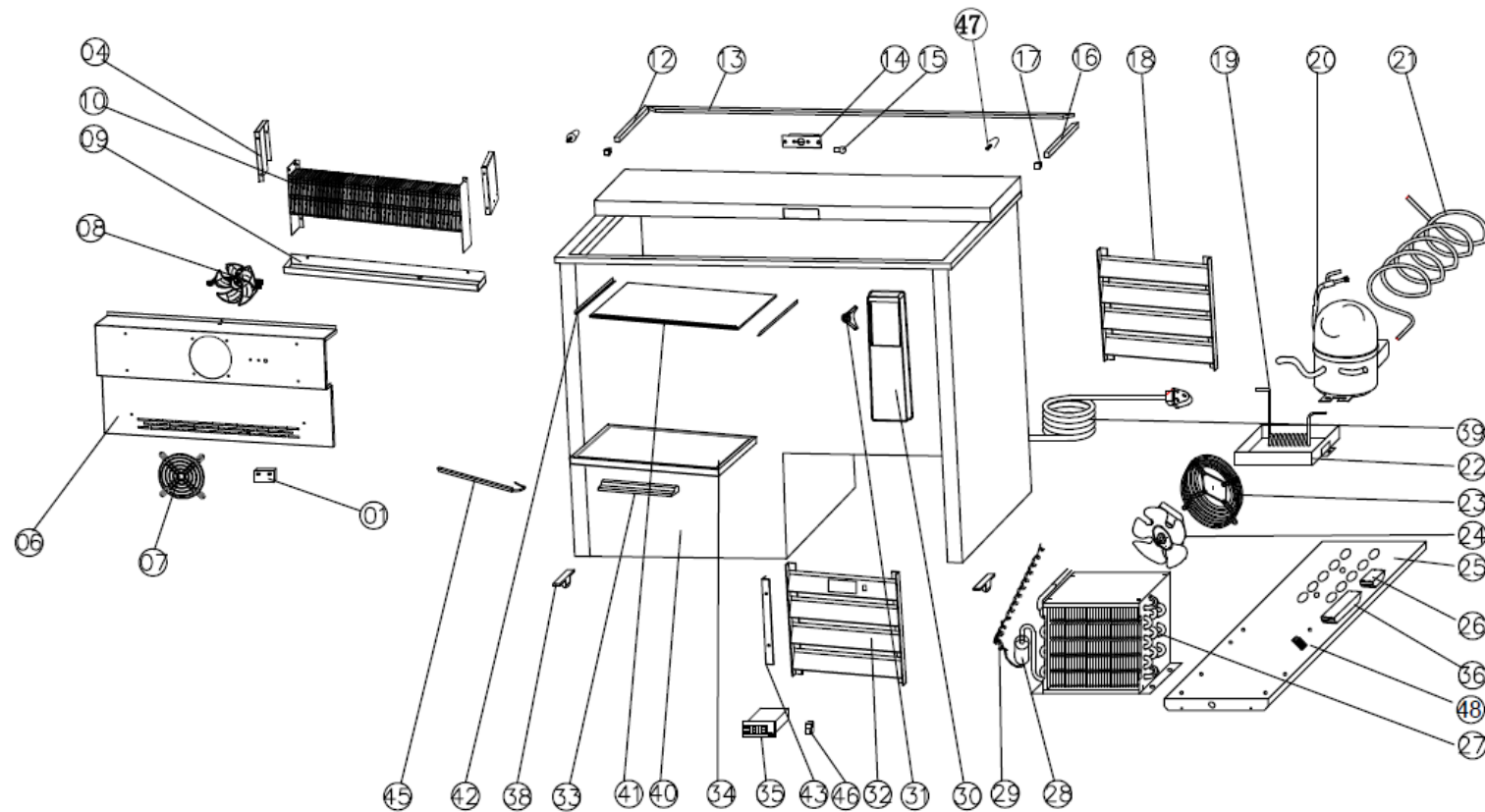


**Spare Parts List**

NO	DESCRIPTION	Serial #	QTY	COMPONENT PNC	Model Number	Model PNC
1	SENSOR FIXED CLIP	ALL	1PC	0USM10	KCHBC36	738294
4	Evaporator Support L	ALL	1PC	0USG46	KCHBC36	738294
4a	Evaporator Support R	ALL	1PC	0USM25	KCHBC36	738294
6	Evaporator Cover	ALL	1PC	0USG41	KCHBC36	738294
7	Circle Fan cover	ALL	1PC	0USF21	KCHBC36	738294
8	Circle Fan	ALL	1PC	0USF12	KCHBC36	738294
9	Evaporator Water Pan	ALL	1PC	0USG49	KCHBC36	738294
10	Evaporator	ALL	1PC	0USG23	KCHBC36	738294
10a	Evaporator Temperature Sensor Probe	ALL	1PC	0USC6R	KCHBC36	738294
12	Left Omament A	ALL	1PC	0USH44	KCHBC36	738294
12a	Left Omament B	ALL	1PC	0USM29	KCHBC36	738294
13	Back Omament A	ALL	1PC	0USE95	KCHBC36	738294
13a	Back Omament B	ALL	1PC	0USM40	KCHBC36	738294
14	Lock Box	ALL	1PC	0USH50	KCHBC36	738294
14a	Lock Box Cover	ALL	1PC	0USL09	KCHBC36	738294
15	LOCK (with key)	ALL	1PC	0USH49	KCHBC36	738294
16	Right Omament A	ALL	1PC	0USH73	KCHBC36	738294
16a	Right Omament B	ALL	1PC	0USM31	KCHBC36	738294
17	Omament Clip	ALL	2PCS	0USH66	KCHBC36	738294
18	Back Air Flow Window	ALL	1PC	0USE94	KCHBC36	738294
19	EVAPORATE PIPE	ALL	1PC	0USG45	KCHBC36	738294
20	Compressor	ALL	1PC	0USF24	KCHBC36	738294
20a	COMPRESSOR ELECTRICAL COMPONENT SET	ALL	1PC	0USDF1	KCHBC36	738294
21	Suction Pipe	ALL	1PC	0USH78	KCHBC36	738294
22	WATER BOX	ALL	1PC	0USI34	KCHBC36	738294
23	Basket Guard Grills	<0142005 7	1PC	0USI47	KCHBC36	738294
		≥0142005 7	1PC	0USDCI	KCHBC36	738294
24	Condenser Fan	ALL	1PC	0USF41	KCHBC36	738294
24a	CONDENSER FAN BLADE	ALL	1PC	0USI52	KCHBC36	738294
25	Unit Board	ALL	1PC	0USI03	KCHBC36	738294
26	Led Power Supply	ALL	1PC	0USH36	KCHBC36	738294
27	Condenser	ALL	1PC	0USF35	KCHBC36	738294
28	FILTER DRIER	ALL	1PC	0USG65	KCHBC36	738294
29	CAPILLARY	ALL	1PC	0USM33	KCHBC36	738294
30	Bottle Cap Box	ALL	1PC	0USF01	KCHBC36	738294
31	Bottle Opener	ALL	1PC	0USF02	KCHBC36	738294
32	Front Air Flow Window	ALL	1PC	0USG74	KCHBC36	738294
33	Handle	ALL	2PCS	0USH08	KCHBC36	738294
34	Door	ALL	2PCS	0USF59	KCHBC36	738294
35	TEMPERATURE CONTROLLER	<0162113 0	1PC	0USF42	KCHBC36	738294

		≥0162113 0	1PC	<a href="#">0USDET</a>	KCHBC36	738294
35a	Inner Chest Temperature Sensor Probe	ALL	1PC	<a href="#">0USC4C</a>	KCHBC36	738294
36	Led Power Supply	ALL	1PC	<a href="#">0USK94</a>	KCHBC36	738294
38	Wheel	ALL	4PCS	<a href="#">0USE98</a>	KCHBC36	738294
39	PLUG	ALL	1PC	<a href="#">0USH67</a>	KCHBC36	738294
40	Body	ALL	1PC	N/A	KCHBC36	738294
41	Air Conduct Board	ALL	1PC	<a href="#">0USE89</a>	KCHBC36	738294
42	Air Conduct Board Support L	ALL	1PC	<a href="#">0USE92</a>	KCHBC36	738294
42a	Air Conduct Board Support R	ALL	1PC	<a href="#">0USM35</a>	KCHBC36	738294
43	Window Fixed Strip L	ALL	1PC	<a href="#">0USI42</a>	KCHBC36	738294
43a	Window Fixed Strip R	ALL	1PC	<a href="#">0USM36</a>	KCHBC36	738294
45	Led Lamp	ALL	1PC	<a href="#">0USH31</a>	KCHBC36	738294
46	LIGHT SWITCH	ALL	1PC	<a href="#">0USH45</a>	KCHBC36	738294
47	LOCATION KNOB	ALL	2PCS	<a href="#">0USH46</a>	KCHBC36	738294
48	CABLE CONNECTOR	ALL	1PC	<a href="#">0USF09</a>	KCHBC36	738294



EXPLODE DRAWING OF KCHBC36