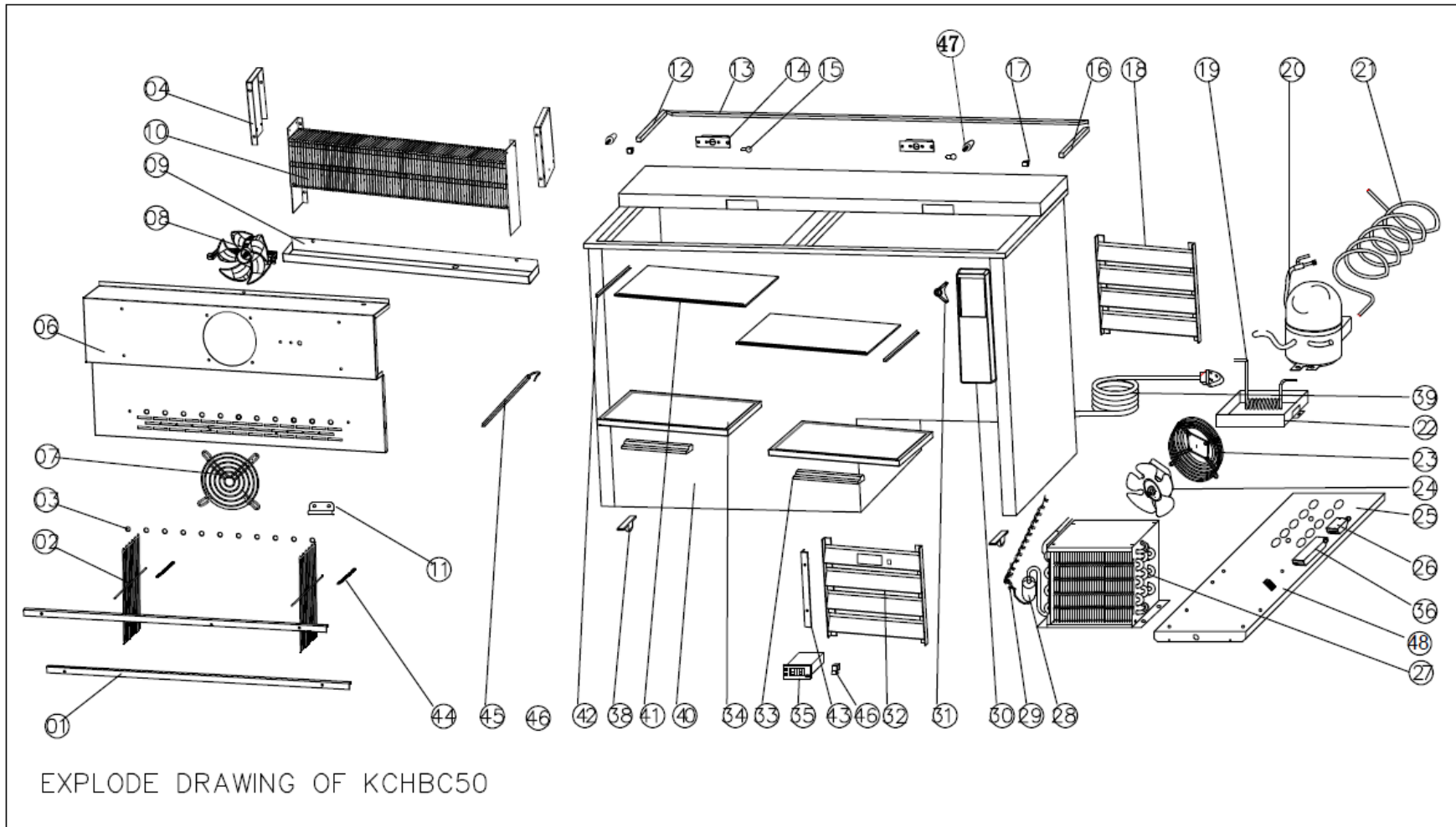


Spare Parts List

NO	DESCRIPTION	Serial #	QTY	COMPONENT PNC	Model Number	Model PNC
1	Support	ALL	2PCS	0USH85	KCHBC50	738267
1a	Shelf Support Screw	ALL		0USM14	KCHBC50	738267
2	Shelf	ALL	2PCS	0USC01	KCHBC50	738267
3	Shelf Protector Pin	ALL	32PCS	0USI45	KCHBC50	738267
4	Evaporator Support L	ALL	1PC	0USG46	KCHBC50	738267
4a	Evaporator Support R	ALL	1PC	0USM25	KCHBC50	738267
6	Evaporator Cover	ALL	1PC	0USG42	KCHBC50	738267
7	Circle Fan cover	ALL	1PCS	0USF21	KCHBC50	738267
8	Circle Fan	ALL	1PCS	0USF12	KCHBC50	738267
9	Evaporator Water Pan	ALL	1PC	0USM37	KCHBC50	738267
10	Evaporator	ALL	1PC	0USG24	KCHBC50	738267
10a	Evaporator Temperature Sensor Probe	ALL	1PC	0USC6R	KCHBC50	738267
11	SENSOR FIXED CLIP	ALL	1PC	0USM10	KCHBC50	738267
12	Left Omament A	ALL	1PC	0USH44	KCHBC50	738267
12a	Left Omament B	ALL	1PC	0USM29	KCHBC50	738267
13	Back Omament A	ALL	1PC	0USE96	KCHBC50	738267
13a	Back Omament B	ALL	1PC	0USM38	KCHBC50	738267
14	Lock Box	ALL	2PCS	0USH50	KCHBC50	738267
14a	Lock Box Cover	ALL	2PCS	0USL09	KCHBC50	738267
15	LOCK (with key)	ALL	2PCS	0USH49	KCHBC50	738267
16	Right Omament A	ALL	1PC	0USH73	KCHBC50	738267
16a	Right Omament B	ALL	1PC	0USM31	KCHBC50	738267
17	Omament Clip	ALL	1PC	0USH66	KCHBC50	738267
18	Back Air Flow Window	ALL	1PC	0USE94	KCHBC50	738267
19	EVAPORATE PIPE	ALL	1PC	0USG45	KCHBC50	738267
20	Compressor	ALL	1PC	0USF25	KCHBC50	738267
20a	COMPRESSOR ELECTRICAL COMPONENT SET	ALL	1PC	0USDF2	KCHBC50	738267
21	Suction Pipe	ALL	1PC	0USH78	KCHBC50	738267
22	WATER BOX	ALL	1PC	0USI34	KCHBC50	738267
23	Basket Guard Grills	<0122007 2	1PC	0USI47	KCHBC50	738267
		≥0122007 2	1PC	0USDCI	KCHBC50	738267
24	Condenser Fan	ALL	1PC	0USF41	KCHBC50	738267
24a	CONDENSER FAN BLADE	ALL	1PC	0USI52	KCHBC50	738267
25	Unit Board	ALL	1PC	0USI03	KCHBC50	738267
26	Led Power Supply	ALL	1PC	0USH36	KCHBC50	738267
27	Condenser	ALL	1PC	0USF35	KCHBC50	738267
28	FILTER DRIER	ALL	1PC	0USG65	KCHBC50	738267
29	CAPILLARY	ALL	1PC	0USM33	KCHBC50	738267
30	Bottle Cap Box	ALL	1PC	0USF01	KCHBC50	738267
31	Bottle Opener	ALL	1PC	0USF02	KCHBC50	738267

32	Front Air Flow Window	ALL	1PC	0USG74	KCHBC50	738267
33	Handle	ALL	2PCS	0USH08	KCHBC50	738267
34	Door	ALL	2PCS	0USF60	KCHBC50	738267
35	Thermostat Controller	<0182132 0	1PC	0USF42	KCHBC50	738267
		≥0182132 0	1PC	0USDET	KCHBC50	738267
35a	Inner Chest Temperature Sensor Probe	ALL	1PC	0USC4C	KCHBC50	738267
36	Led Power Supply	ALL	1PC	0USK94	KCHBC50	738267
38	Back Wheel	ALL	4PCS	0USE98	KCHBC50	738267
39	PLUG	ALL	1PC	0USH67	KCHBC50	738267
40	Body	ALL	1PC	N/A	KCHBC50	738267
41	Air Conduct Board	ALL	2PCS	0USE90	KCHBC50	738267
42	Air Conduct Board Support L	ALL	2PCS	0USE92	KCHBC50	738267
42a	Air Conduct Board Support R	ALL	2PCS	0USM35	KCHBC50	738267
43	Window Fixed Strip L	ALL	1PC	0USI42	KCHBC50	738267
43a	Window Fixed Strip R	ALL	1PC	0USM36	KCHBC50	738267
44	Spring	ALL	2PCS	0USJ02	KCHBC50	738267
45	Led Lamp	ALL	1PC	0USH31	KCHBC50	738267
46	LIGHT SWITCH	ALL	1PC	0USH45	KCHBC50	738267
47	LOCATION KNOB	ALL	2PCS	0USH46	KCHBC50	738267
48	CABLE CONNECTOR	ALL	1PC	0USF09	KCHBC50	738267



EXPLODE DRAWING OF KCHBC50