

....

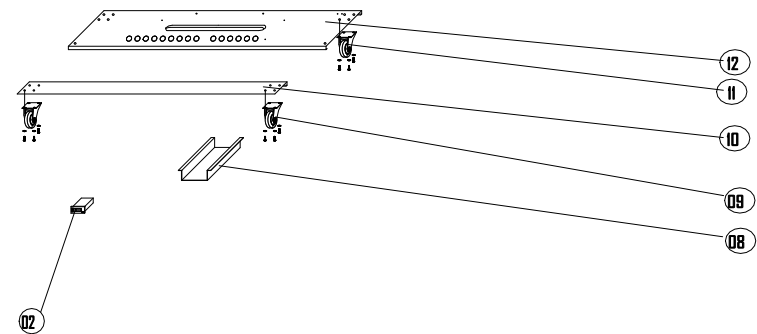
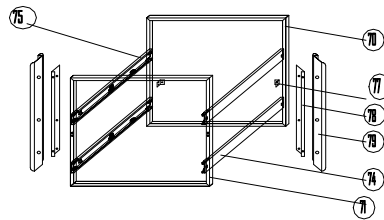
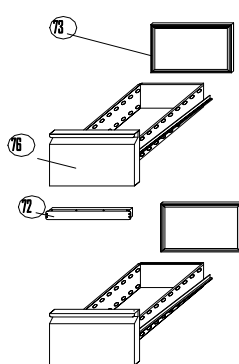
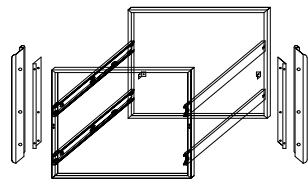
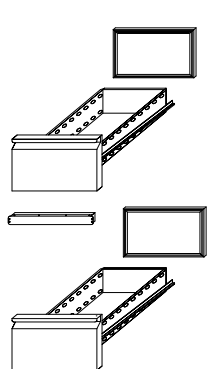
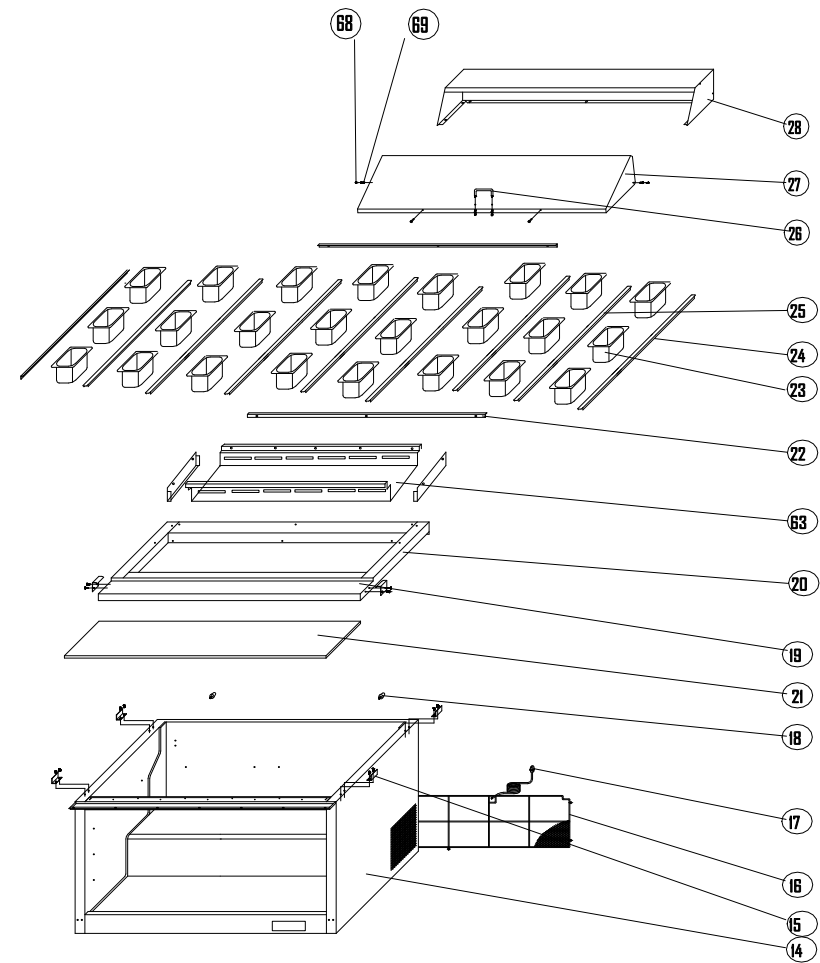
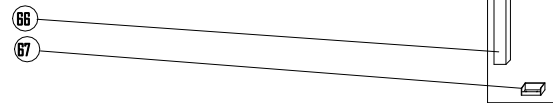
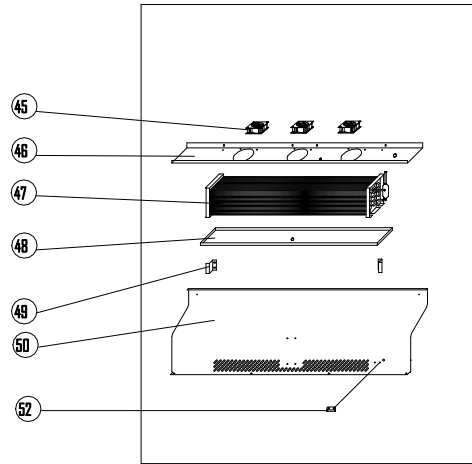
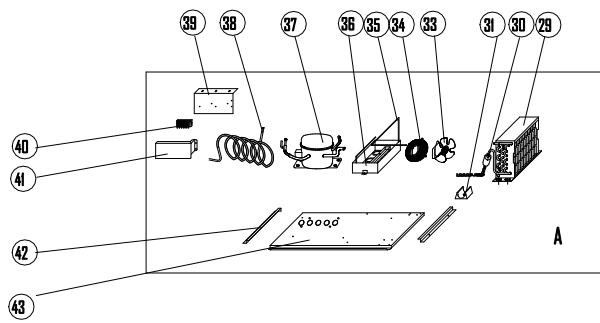
.....DF9D'H56 @'

PNC MODEL

738G Ì ÁÁÁÁ SÔPT VÍ €€ È Ö

Pag.	Indice	Index
2	Disegni	Drawings
3	Lista ricambi	Spare parts list

Brand / Marchio: KELVINATOR



EXPLODE OF KCHMT60.24.4D

SPARE PARTS LIST OF KCHMT60.24.4D

NO.	ELECTROLUX PNC	NAME	ERP	QUY.	MATERIAL	REMARK
2	0USF42	THERMOSTAT CONTROLLER	104020039	1PC		D20-001M
	0USC4C	Inner Chest Temperature Sensor Probe	XR20C-TempSensorProbe-738263	1PC		BLACK
8	0USK07	CABLE COVER	5202003668	1PC		
9	0USF03	BRAKE WHEEL	107050008	2PCS		
10	0USJ61	FRONT SUPPORT OF UNIT BOARD	5201006358	1PC		
11	0USH63	NORMAL WHEEL	107050007	2PCS		
	0USK99	Castor Mounting Bolt	107210131	16PCS	Galvanized STEEL	Hexagon Head
	0USL00	Castor Mounting Locking Washer	107210244	16PCS	Galvanized STEEL	
	0USL01	Castor Mounting Flat Washer	107210224	16PCS	Galvanized STEEL	
12	0USJ62	BACK SUPPORT OF UNIT BOARD	5201006359	1PC		
14		BODY	5102002396	1PC		
15	0USL80	TOP CLIP	5201007056	4PCS		
16	0USI10	UNIT ROOM COVER	109040075	1PC		
17	0USH67	PLUG	104050013	1PC		
18	0USH46	LOCATION KNOB	114010039	2PCS	RUBBER	
19	0USG68	FIXED CLIP OF CUTTING BOARD	5202003562	2PCS		
20	0USH97	TOP	5108000362	1PC		
21	0USF49	CUTTING BOARD	106120007	1PC		
22	0USJ35	PAN SUPPORT /FRONT	5203000287F	1PC		
	0USDEM	PAN SUPPORT /BACK	5203000287B	1PC		
23		STANDARD PAN	106070007	24PCS		
24	0USM80	PAN SUPPORT /LEFT/RIGHT	5203000114	2PCS		
25	0USJ31	PAN SUPPORT	5203000183	7PCS		
26	0USH09	HANDLE OF COVER	107210314	1PC	STAINLESS	
27	0USH61	MOVING COVER	5202003600	1PC		
	0USL39	MOVING COVER LINER	5202005297	1PC		
28	0USG72	FIXED COVER	5202003598	1PC		
	0USL70	FIXED COVER LINER	5202005296	1PC		
29	0USF34	CONDENSER	113010368	1PC		
30	0USG66	FILTER DRIER	107180004	1PC		
31	0USI78	DRIER SUPPORT	108300116	1PC		
32	0USM13	CAPILLARY	102050022	1PC		
33	0USF40	CONDENSER FAN	104030019	1PC		
	0USC4J	CONDENSER FAN BLADE	104040001	1PC		
34	0USI46	BASKET GUARD GRILLS	109030031	1PC	COATED STEEL	
35	0USG14	EVAPORATE PIPE	113110265	1PC	COPPER	
36	0USI29	WATER BOX	108140003	1PC	PLASTIC	
37	0USF28	COMPRESSOR	104010249	1PC		
38	0USH80	SUCTION PIPE	113100583	1PC	COPPER	
39	0USDEE	CONNECTOR SUPPORT	5202004245	1PC		
40	0USF09	CABLE CONNECTOR	104110005	1PC		
41	0USJ98	CONNECTOR COVER	5202003545	1PC	ZINC	
42	0USK50	GUIDE OF UNIT BOARD/LEFT	5203000284	1PC		
	0USK49	GUIDE OF UNIT BOARD/RIGHT	5203000283	1PC		
43	0USK32	UNIT BOARD	5202004723	1PC		
44	0USL13	AIR FLOW CONDUCT BOARD	101060199	2PCS		
45	0USF14	CIRCLE FAN	104030041	3PCS		
46	0USK03	CIRCLE FAN SUPPORT	5202003595	1PC		
47	0USG30	EVAPORATOR	5112000396	1PC		
	0USC6R	Evaporator Temperature Sensor Probe	XR20C-TempSensorProbe-738264	1PC		WHITE
48	0USG55	EVAPORATOR WATER PAN	5202003706	1PC	STAINLESS	
49	0USK05	FIXED SUPPORT OF EVAPORATOR COVER	5202003659	2PCS	STAINLESS	
50	0USK02	EVAPORATOR COVER	5202005295	1PC	ss304	
52	0USM10	SENSOR FIXED CLIP	108110315	1PC	PLASTIC	GRAY
63	0USK04	CONDUCT BOARD	5202006368	1PC		
	0USL14	CONDUCT BOARD SIDE PLATE	5202006371	2PCS		
66	0USC6D	MIDDLE GIRDER	5118000269P	1PC		
67	0USH59	MIDDLE GIRDER FIXER	108030547	2PCS		
68	0USG67	FIXED BOLT	107210320	2PCS		
69	0USG73	FIXED NUT	107070020	2PCS		

Nº.	ELECTROLUX PNC	NAME	ERP	QUY.	MATERIAL	REMARK
70	0USM81	BACK FRAME	110010010	2PCS		
71	0USM82	FRONT FRAME	110010017	2PCS		
	0USM07	FRONT FRAME COVER (TOP)	5201009251	2PCS		
	0USM07	FRONT FRAME COVER (BOTTOM)	5201009251	2PCS		
	0USM05	FRONT FRAME COVER (LEFT)	5201010931L	2PCS		
	0USDEG	FRONT FRAME COVER (RIGHT)	5201010931R	2PCS		
72	0USM83	BRIDGE	5109000079	2PCS		
73	0USM84	GASKET	108270081	4PCS	PVC	
74	0USM46	DRAWER GUIDE (RIGHT)	107250006	4PCS		
75	0USM47	DRAWER GUIDE (LEFT)	107250024	4PCS		
76	0USM85	DRAWER PANNEL	5113000350	4PCS		
	0USM86	DRAWER BODY	5113000194	4PCS		
77	0USM87	BACK FRAME CLIP	5201006278	4PCS		
78	0USM51	BACK DRAWER SUPPORT	5201006297	4PCS		
79	0USM52	FRONT DRAWER SUPPORT	5201008094	4PCS		
	0USM14	Shelf Support Screw	108300165			

REV
10.12.2020