



Model: KCHUC72R

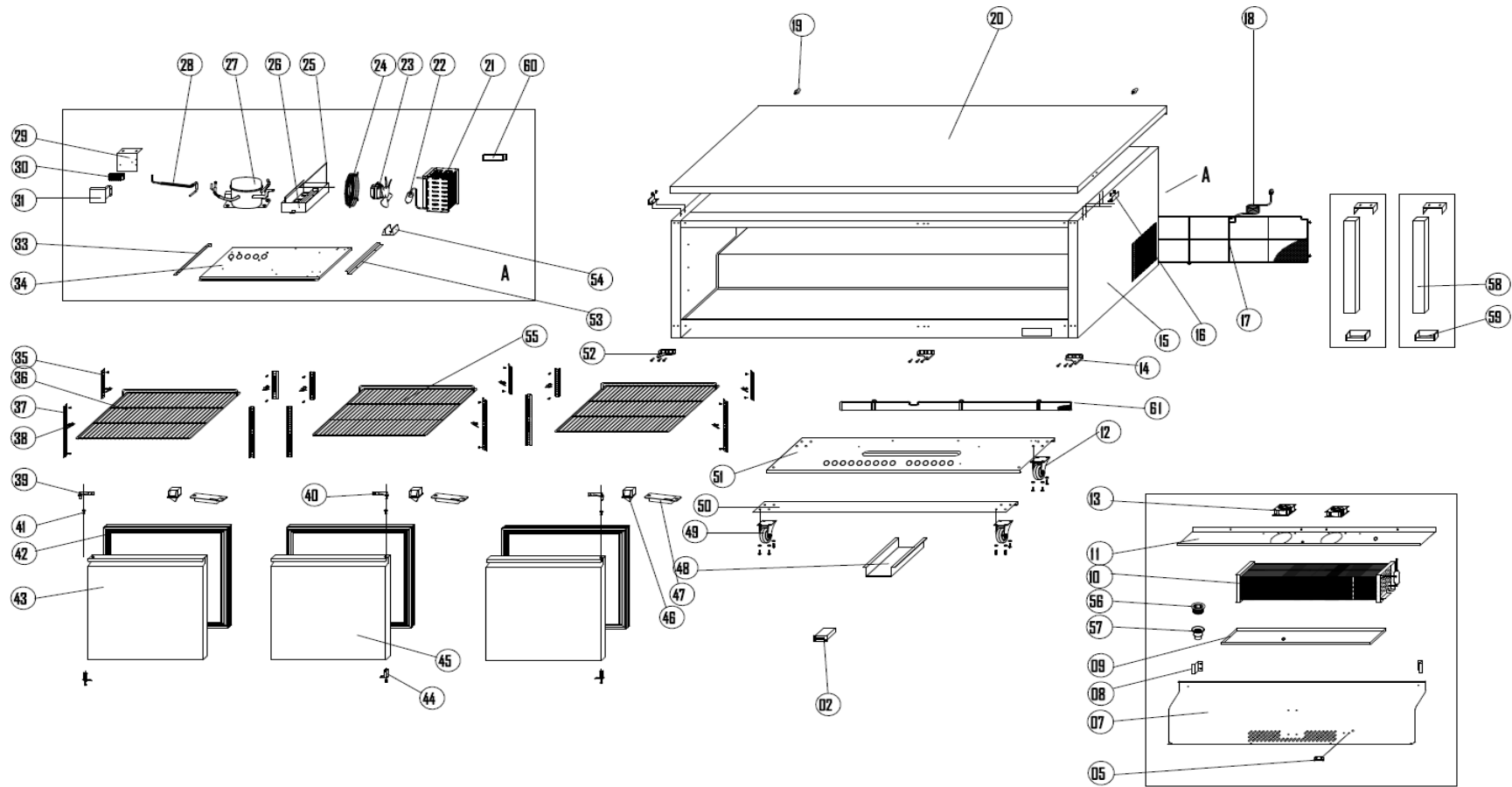
PNC: 738292

REV: 4/18/2024

Spare Parts List

NO	DESCRIPTION	Serial #	QTY	COMPONENT PNC	Model Number	Model PNC
2	TEMPERATURE CONTROLLER	<01021350	1PC	0USF42	KCHUC72R	738292
		≥01021350	1PC	0USDET	KCHUC72R	738292
2a	Inner Chest Temperature Sensor Probe	ALL	1PC	0USC4C	KCHUC72R	738292
2b	Controller Mounting Plate	ALL	1PC	0USDIF	KCHUC72R	738292
5	Sensor Fixed Clip	ALL	1PC	0USM10	KCHUC72R	738292
7	Evaporator Cover	ALL	1PC	0USK12	KCHUC72R	738292
8	FIXED SUPPORT OF EVAPORATOR COVER	ALL	2PCS	0USK05	KCHUC72R	738292
9	Evaporator Water Pan	ALL	1PC	0USG61	KCHUC72R	738292
10	Evaporator	ALL	1PC	0USG39	KCHUC72R	738292
10a	Evaporator Temperature Sensor Probe	ALL	1PC	0USC6R	KCHUC72R	738292
11	Circle Fan Support	ALL	1PC	0USK37	KCHUC72R	738292
12	Normal Wheel	ALL	2PCS	0USH63	KCHUC72R	738292
13	Circle Fan	ALL	2PCS	096250	KCHUC72R	738292
14	LOWER Door Hinge/Right	ALL	2PCS	0USF81	KCHUC72R	738292
15	Body	ALL	1PC	N/A	KCHUC72R	738292
16	Top Clip	ALL	2PCS	0USL80	KCHUC72R	738292
17	UNIT ROOM COVER	ALL	1PC	0USI15	KCHUC72R	738292
18	PLUG	ALL	1PC	0USH67	KCHUC72R	738292
19	Location Knob	ALL	2PCS	0USH46	KCHUC72R	738292
20	Top	ALL	1PC	0USL56	KCHUC72R	738292
21	Condenser	ALL	1PC	0USF39	KCHUC72R	738292
22	FILTER DRIER	ALL	1PC	0USG65	KCHUC72R	738292
22a	CAPILLARY	ALL	1PC	0USL79	KCHUC72R	738292
23	CONDENSER FAN	ALL	1PC	0USDGW	KCHUC72R	738292
23a	CONDENSER FAN BLADE	ALL	1PC	0USI52	KCHUC72R	738292
24	BASKET GUARD GRILLS	ALL	1PC	0USI81	KCHUC72R	738292
25	Evaporate Pipe	ALL	1PC	0USG20	KCHUC72R	738292
26	WATER BOX	ALL	1PC	0USI35	KCHUC72R	738292
27	Compressor	ALL	1PC	0USF32	KCHUC72R	738292
27a	COMPRESSOR ELECTRICAL COMPONENT SET	ALL	1PC	0USDF8	KCHUC72R	738292
28	Suction Pipe	ALL	1PC	0USO36	KCHUC72R	738292
29	CONNECTOR SUPPORT	ALL	1PC	0USDEE	KCHUC72R	738292
30	Cable Connector	ALL	1PC	0USF09	KCHUC72R	738292
31	CONNECTOR COVER	ALL	1PC	0USI98	KCHUC72R	738292
33	GUIDE OF UNIT BOARD/LEFT	ALL	1PC	0USK50	KCHUC72R	738292
34	UNIT BOARD	ALL	1PC	0USK32	KCHUC72R	738292
35	SHELF SUPPORT B	ALL	6PCS	0USI66	KCHUC72R	738292
35a	Shelf Support Screw	ALL	12PCS	0USM14	KCHUC72R	738292
36	Shelf (left/ Right)	ALL	2PCS	0USCOM	KCHUC72R	738292
37	SHELF SUPPORT A	ALL	6PCS	0USI44	KCHUC72R	738292
37a	Shelf Support Screw	ALL	18PCS	0USM14	KCHUC72R	738292
38	K Shape Clip	ALL	12PCS	0USH19	KCHUC72R	738292
39	Up Hinge/Left	ALL	1PC	0USI16	KCHUC72R	738292
40	UP HINGE /RIGHT	ALL	2PCS	0USI17	KCHUC72R	738292
41	BUSHING	ALL	3PCS	096268	KCHUC72R	738292
42	GASKET	ALL	3PCS	0USH00	KCHUC72R	738292
43	DOOR/LEFT	ALL	1PC	0USM97	KCHUC72R	738292
44	DOOR SPRING HINGE	ALL	3PCS	0USF83	KCHUC72R	738292
45	RIGHT DOOR	ALL	2PCS	0USM98	KCHUC72R	738292
46	DOOR SWITCH	ALL	3PCS	096253	KCHUC72R	738292
47	Door Switch Case	ALL	3PCS	0USF88	KCHUC72R	738292

48	CABLE COVER	ALL	1PC	0USK07	KCHUC72R	738292
49	BRAKE WHEEL	ALL	2PCS	0USF03	KCHUC72R	738292
49a	Castor Mounting Bolt (4-PACK)	ALL	4PC	0USC2U	KCHUC72R	738292
49b	Castor Mounting Locking Washer (4-PACK)	ALL	4PC	0USC4A	KCHUC72R	738292
49c	Castor Mounting Flat Washer (4-PACK)	ALL	4PC	0USC2X	KCHUC72R	738292
50	FRONT SUPPORT OF UNIT BOARD	ALL	1PC	0USJ63	KCHUC72R	738292
51	BACK SUPPORT OF UNIT BOARD	ALL	1PC	0USJ64	KCHUC72R	738292
52	LOWER Door Hinge/Left	ALL	1PC	0USF80	KCHUC72R	738292
53	GUIDE OF UNIT BOARD/RIGHT	ALL	1PC	0USK49	KCHUC72R	738292
54	DRIER SUPPORT	ALL	1PC	0USI78	KCHUC72R	738292
55	Middle Shelf	ALL	1PC	0USC0Q	KCHUC72R	738292
56	Drain Pipe(A Int)	ALL	1PC	096263	KCHUC72R	738292
57	Drain Pipe(B Ext)	ALL	1PC	0USG04	KCHUC72R	738292
57a	DRAIN PIPE	ALL	1PC	0USM54	KCHUC72R	738292
57b	DRAIN FIXER	ALL	1PC	0USN75	KCHUC72R	738292
58	Middle Girder	ALL	2PCS	0USH56	KCHUC72R	738292
59	Middle Girder Fixer	ALL	4PCS	0USH59	KCHUC72R	738292
60	Transformer	ALL	1PC	096252	KCHUC72R	738292
61	Unit Room Cover - Bottom	<7104325		N/A	KCHUC72R	738292
		≥7104325	1PC	0USFAI	KCHUC72R	738292



EXPLODE OF KCHUC72R