



**COMMERCIAL**

**Spare Parts List**

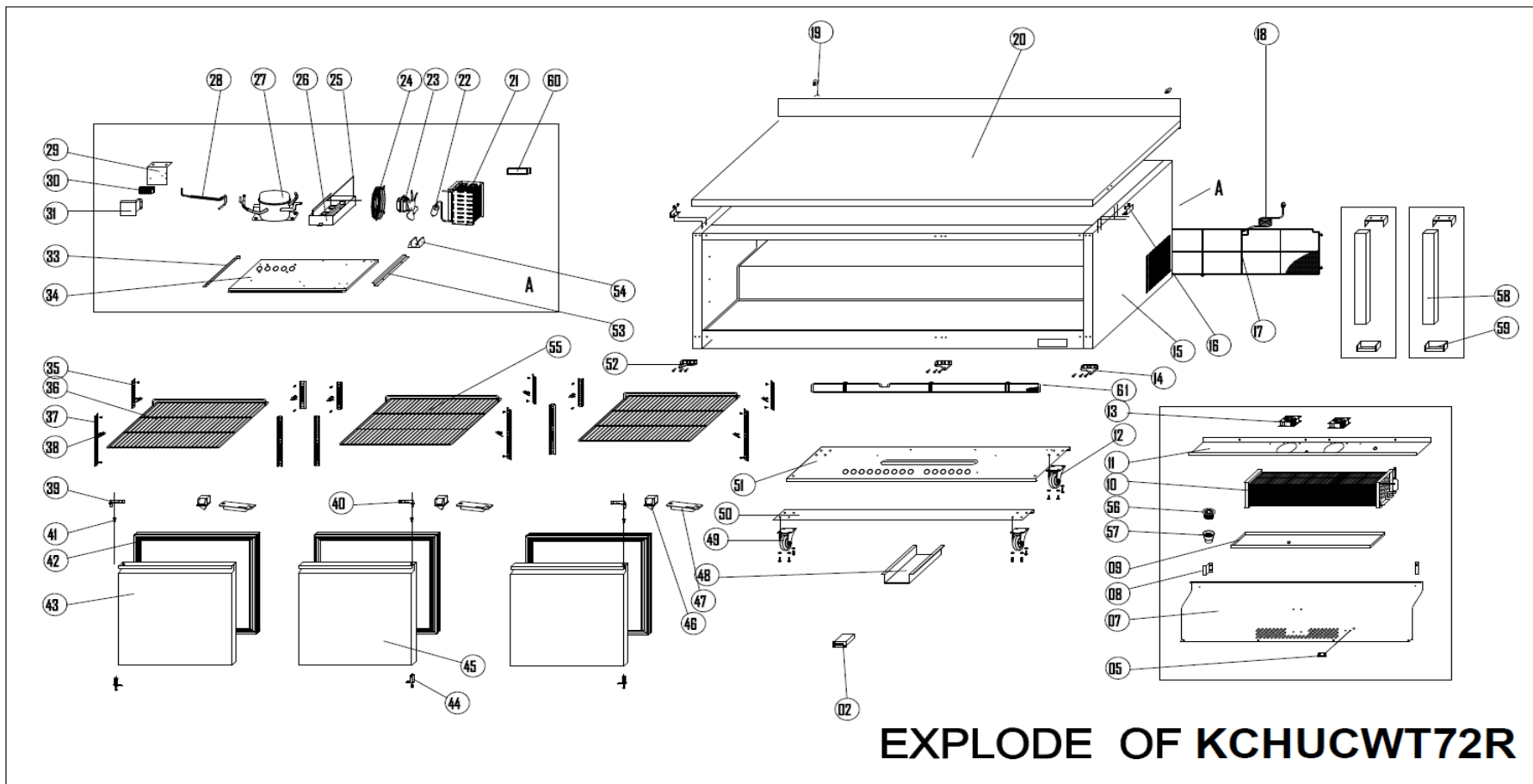
**Model:** KCHUCWT72R

**PNC:** 738302

**REV:** 7/11/2024

NO	DESCRIPTION	Serial #	QTY	COMPONENT PNC	Model Number	Model PNC
2	TEMPERATURE CONTROLLER	<01021351	1PC	0USF42	KCHUCWT72R	738302
		≥01021351	1PC	0USDET	KCHUCWT72R	738302
2a	Inner Chest Temperature Sensor Probe	ALL	1PC	0USC4C	KCHUCWT72R	738302
2b	Controller Mounting Plate	ALL	1PC	0USDIF	KCHUCWT72R	738302
5	Sensor Fixed Clip	ALL	1PC	0USM10	KCHUCWT72R	738302
7	Evaporator Cover	ALL	1PC	0USK12	KCHUCWT72R	738302
8	FIXED SUPPORT OF EVAPORATOR COVER	ALL	2PCS	0USK05	KCHUCWT72R	738302
9	Evaporator Water Pan	ALL	1PC	0USG61	KCHUCWT72R	738302
10	Evaporator	ALL	1PC	0USG39	KCHUCWT72R	738302
10a	Evaporator Temperature Sensor Probe	ALL	1PC	0USC6R	KCHUCWT72R	738302
11	Circle Fan Support	ALL	1PC	0USK37	KCHUCWT72R	738302
12	Normal Wheel	ALL	2PCS	0USH63	KCHUCWT72R	738302
13	Circle Fan	ALL	2PCS	096250	KCHUCWT72R	738302
14	Door Hinge/Right	ALL	2PCS	0USF81	KCHUCWT72R	738302
15	Body	ALL	1PC	N/A	KCHUCWT72R	738302
16	Top Clip	ALL	2PCS	0USL80	KCHUCWT72R	738302
17	UNIT ROOM COVER	ALL	1PC	0USI15	KCHUCWT72R	738302
18	PLUG	ALL	1PC	0USH67	KCHUCWT72R	738302
19	Location Knob	ALL	2PCS	0USH46	KCHUCWT72R	738302
20	Top	ALL	1PC	0USL78	KCHUCWT72R	738302
21	Condenser	ALL	1PC	0USF39	KCHUCWT72R	738302
22	FILTER DRIER	ALL	1PC	0USG65	KCHUCWT72R	738302
22a	CAPILLARY	ALL	1PC	0USL79	KCHUCWT72R	738302
23	CONDENSER FAN	ALL	1PC	0USF40	KCHUCWT72R	738302
23a	CONDENSER FAN BLADE	ALL	1PC	0USI52	KCHUCWT72R	738302
24	BASKET GUARD GRILLS	ALL	1PC	0USI81	KCHUCWT72R	738302
25	Evaporate Pipe	ALL	1PC	0USG20	KCHUCWT72R	738302
26	WATER BOX	ALL	1PC	0USI35	KCHUCWT72R	738302
27	Compressor	ALL	1PC	0USF32	KCHUCWT72R	738302
27a	COMPRESSOR ELECTRICAL COMPONENT SET	ALL	1PC	0USDF8	KCHUCWT72R	738302
28	Suction Pipe	ALL	1PC	0USO36	KCHUCWT72R	738302
29	CONNECTOR SUPPORT	ALL	1PC	0USDEE	KCHUCWT72R	738302
30	Cable Connector	ALL	1PC	0USF09	KCHUCWT72R	738302
31	CONNECTOR COVER	ALL	1PC	0USI98	KCHUCWT72R	738302
33	GUIDE OF UNIT BOARD/LEFT	ALL	1PC	0USK50	KCHUCWT72R	738302
34	UNIT BOARD	ALL	1PC	0USK32	KCHUCWT72R	738302
35	SHELF SUPPORT B	ALL	6PCS	0USI66	KCHUCWT72R	738302
35a	Shelf Support Screw	ALL	12PCS	0USM14	KCHUCWT72R	738302
36	Shelf (left/ Right)	ALL	2PCS	0USC0M	KCHUCWT72R	738302
37	SHELF SUPPORT A	ALL	6PCS	0USI44	KCHUCWT72R	738302
37a	Shelf Support Screw	ALL	18PCS	0USM14	KCHUCWT72R	738302
38	K Shape Clip	ALL	12PCS	0USH19	KCHUCWT72R	738302
39	Up Hinge/Left	ALL	1PC	0USI16	KCHUCWT72R	738302
40	UP HINGE /RIGHT	ALL	2PCS	0USI17	KCHUCWT72R	738302
41	BUSHING	ALL	3PCS	096268	KCHUCWT72R	738302
42	GASKET	ALL	3PCS	0USH00	KCHUCWT72R	738302
43	DOOR/LEFT	ALL	1PC	0USM97	KCHUCWT72R	738302
44	DOOR SPRING HINGE	ALL	3PCS	0USF83	KCHUCWT72R	738302
45	RIGHT DOOR	ALL	2PCS	0USM98	KCHUCWT72R	738302
46	DOOR SWITCH	ALL	3PCS	096253	KCHUCWT72R	738302
47	Door Switch Case	ALL	3PCS	0USF88	KCHUCWT72R	738302

48	CABLE COVER	ALL	1PC	0USK07	KCHUCWT72R	738302
49	BRAKE WHEEL	ALL	2PCS	0USF03	KCHUCWT72R	738302
49a	Castor Mounting Bolt (4-PACK)	ALL	4PC	0USC2U	KCHUCWT72R	738302
49b	Castor Mounting Locking Washer (4-PACK)	ALL	4PC	0USC4A	KCHUCWT72R	738302
49c	Castor Mounting Flat Washer (4-PACK)	ALL	4PC	0USC2X	KCHUCWT72R	738302
50	FRONT SUPPORT OF UNIT BOARD	ALL	1PC	0USJ63	KCHUCWT72R	738302
51	BACK SUPPORT OF UNIT BOARD	ALL	1PC	0USJ64	KCHUCWT72R	738302
52	Lower Door Hinge/Left	ALL	1PC	0USF80	KCHUCWT72R	738302
53	GUIDE OF UNIT BOARD/RIGHT	ALL	1PC	0USK49	KCHUCWT72R	738302
54	DRIER SUPPORT	ALL	1PC	0USI78	KCHUCWT72R	738302
55	Middle Shelf	ALL	1PC	0USC0Q	KCHUCWT72R	738302
56	Drain Pipe(A Int)	ALL	1PC	096263	KCHUCWT72R	738302
57	Drain Pipe(B Ext)	ALL	1PC	0USG04	KCHUCWT72R	738302
57a	DRAIN PIPE	ALL	1PC	0USM54	KCHUCWT72R	738302
57b	DRAIN FIXER	ALL	1PC	0USN75	KCHUCWT72R	738302
58	Middle Girder	ALL	2PCS	0USH56	KCHUCWT72R	738302
59	Middle Girder Fixer	ALL	4PCS	0USH59	KCHUCWT72R	738302
60	Transformer	ALL	1PC	096252	KCHUCWT72R	738302
61	Unit Room Cover - Bottom	<9052161		N/A	KCHUCWT72R	738302
		≥9052161	1PC	0USFAI	KCHUCWT72R	738302



**EXPLODE OF KCHUCWT72R**