

'AFA58-C': F99N9F

.....: F99N9F' I B89F7 "....."

PNC MODEL
I H I H I S O P W O Y V I O A

Pag.	Indice	Index
2	Disegni	Drawings
3	Lista ricambi	Spare parts list

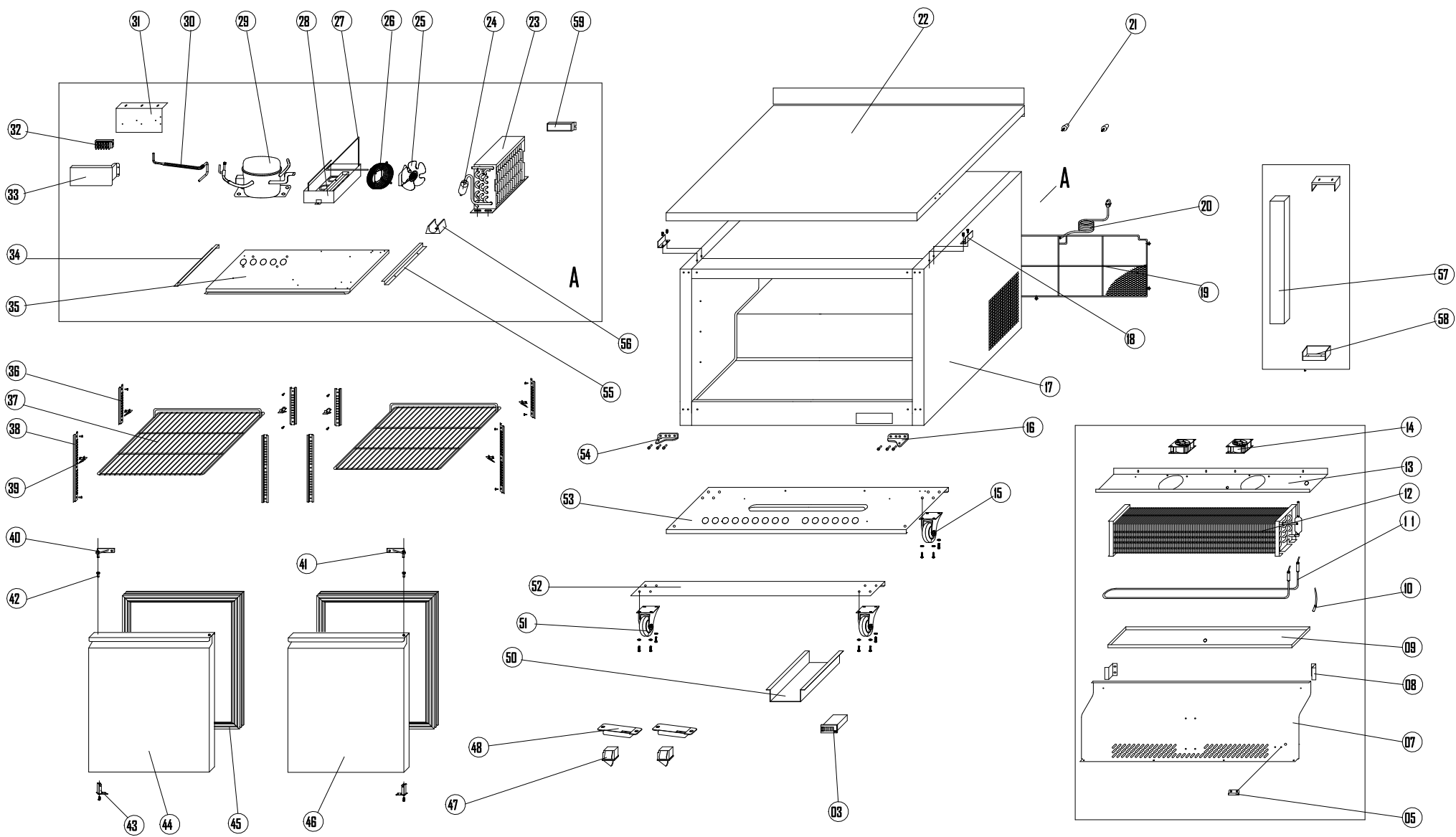
Brand / Marchio: SÒŠXQÆVUÜ

Ä

Á

Uæ ^ k F M O ð Z G C E F Á

Doc. Nr.: _____



EXPLODE OF KCHUCWT48F

SPARE PARTS LIST OF KCHUCWT48F

NO.	ELECTROLUX PNC	NAME	ERP	QTY.	MATERIAL	REMARK
3	0USH92	Thermostat Controller	104020003	1PC		D60-002M
	0USC4F	Inner Chest Temperature Sensor Probe	XR60C-TempSensorProbe-738265	1PC		Black
5	0USM10	Sensor Fixed Clip	108110315	1PC	PLASTIC	GRAY
7	0USK10	Evaporator Cover	5202006472	1PC		
8	0USK05	FIXED SUPPORT OF EVAPORATOR COVER	5202003659	2PCS	STAINLESS	
9	0USG59	EVAPORATOR WATER PAN	5202003564	1PC	STAINLESS	
10	0USH71	Protector For Heating Element	104120052	1PC		
11	0USF56	Defrost Heating Element	104130148	1PC		
12	0USG36	Evaporator	5112000501	1PC		
	0USC6U	Evaporator Temperature Sensor Probe	XR60C-TempSensorProbe-738266	1PC		White
13	0USK33	Circle Fan Support	5202004849	1PC		
14	096250	Circle Fan	104030109	2PCS		
15	0USH63	Normal Wheel	107050007	2PCS		
16	0USF81	Lower Door Hinge/Right	114020122	1PC		
17		Body	5102003115	1PC		
18	0USL80	Top Clip	5201007056	2PCS		
19	0USI14	Unit Room Cover	109040074	1PC	COATED STEEL	
20	0USH67	PLUG	104050013	1PC		
21	0USH46	Location Knob	114010039	2PCS	RUBBER	
22	0USO37	Top	5108000526	1PC		
23	0USF34	Condenser	113010368	1PC		
24	0USG65	FILTER DRIER	107180001	1PC	XH-9	
	0USL77	CAPILLARY	102050014	1PC		
25	0USF40	CONDENSER FAN	104030019	1PC		
	0USC4J	CONDENSER FAN BLADE	104040001	1PC		
26	0USI46	BASKET GUARD GRILLS	109030031	1PC	COATED STEEL	
27	0USG14	EVAPORATE PIPE	113110265	1PC	COPPER	
28	0USI35	WATER BOX	5114000739	1PC	PLASTIC	
29	0USF28	COMPRESSOR	104010249	1PC		
30	0USO27	Suction Pipe	113100467	1PC	COPPER	
31	0USK22	CONNECTOR SUPPORT	5202004245	1PC		
32	0USF09	Cable Connector	104110005	1PC		
33	0USJ98	CONNECTOR COVER	5202003545	1PC	ZINC	
34	0USK50	GUIDE OF UNIT BOARD/LEFT	5203000284	1PC		
35	0USK32	UNIT BOARD	5202004723	1PC		
36	0USI66	SHELF SUPPORT B	107100019	4PCS	STAINLESS	2 screw
37	0USC0M	Shelf	109020220	2PCS	COATED STEEL	
38	0USI44	SHELF SUPPORT A	107100018	4PCS	STAINLESS	
39	0USH19	K Shape Clip	107090002	8PCS		
40	0USI16	Up Hinge/Left	114020126	1PC		
41	0USI17	UP HINGE /RIGHT	114020125	1PC		
42	096268	BUSHING	108300029	2PCS	PLASTIC	
43	0USF83	DOOR SPRING HINGE	114030084	2PCS		
44	0USM97	DOOR/LEFT	5107000944	1PC		
45	0USH00	GASKET	108270291	2PCS	PLASTIC	
46	0USM98	RIGHT DOOR	5107000463	1PC		
47	096253	DOOR SWITCH	104090013	2PCS		
48	0USF88	Door Switch Case	114010067	2PCS		
50	0USK07	CABLE COVER	5202003668	1PC		
51	0USF03	BRAKE WHEEL	107050008	2PCS		
	0USK99	Castor Mounting Bolt	107210131	16PCS	Galvanized STEEL	Hexagon Head
	0USL00	Castor Mounting Locking Washer	107210244	16PCS	Galvanized STEEL	
	0USL01	Castor Mounting Flat Washer	107210224	16PCS	Galvanized STEEL	
52	0USJ59	FRONT SUPPORT OF UNIT BOARD	5201006324	1PC		
53	0USJ60	BACK SUPPORT OF UNIT BOARD	5201006325	1PC		
54	0USF80	Lower Door Hinge/Left	114020121	1PC		
55	0USK49	GUIDE OF UNIT BOARD/RIGHT	5203000283	1PC		
56	0USI78	DRIER SUPPORT	108300116	1PC		
57	0USC6C	Middle Girder	5118000264P	1PC		
58	0USH59	Middle Girder Fixer	108030547	2PCS		

Nº.	ELECTROLUX PNC	NAME	ERP	QTY.	MATERIAL	REMARK
59	096252	Transformer	104070144	1PC		
	0USG04	DRAIN PIPE(A INT)	108300031	1PC		
	096263	DRAIN PIPE(B EXT)	108110136	1PC	PLASTIC	
	0USM14	Shelf Support Screw	108300165			
	0USN75	DRAIN FIXER	108030581	1PC		
	0USM54	DRAIN PIPE	114040017	1PC		

REV
10.14.2020