



Kelvinator 

Factory Parts Catalog

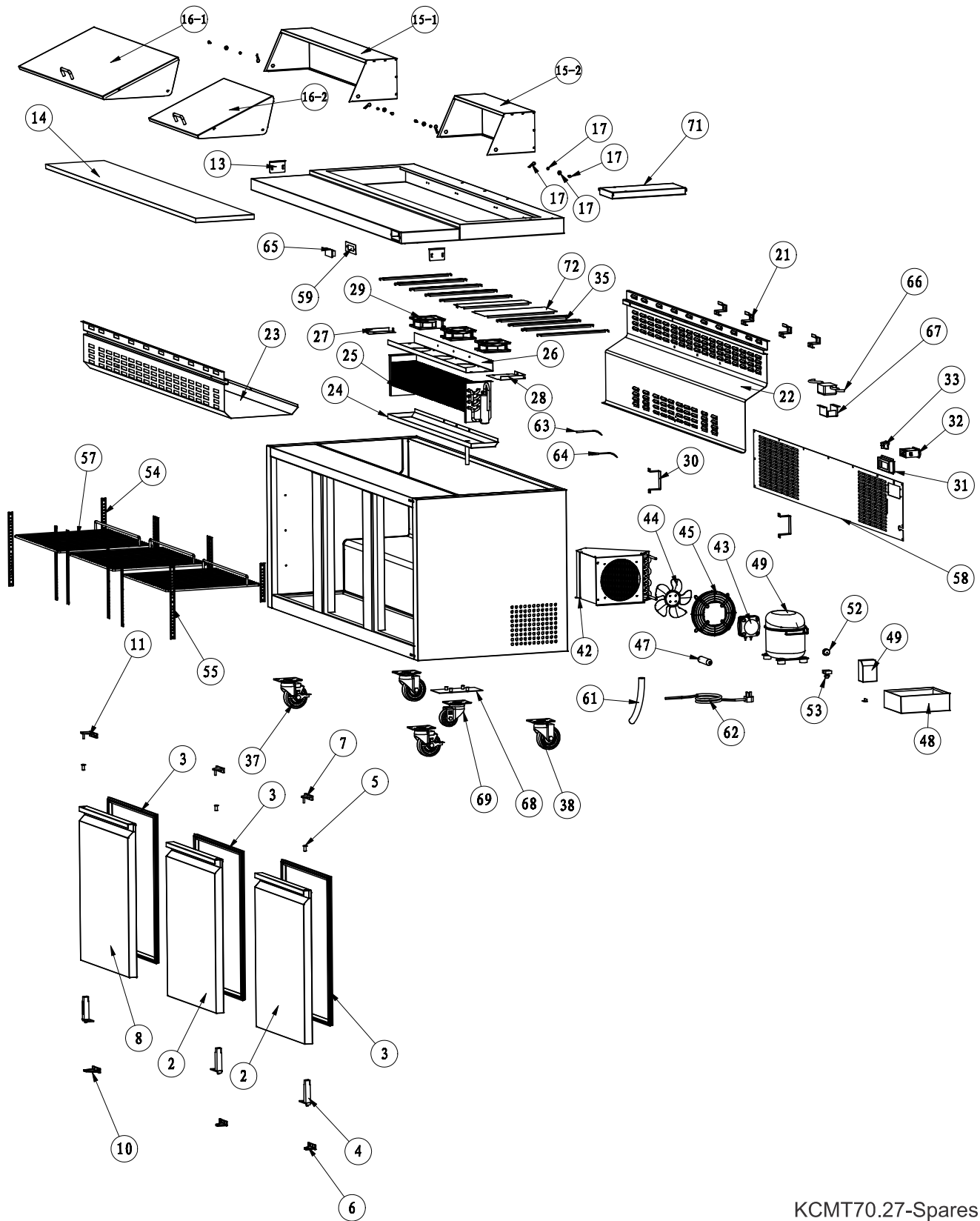
Product No.	KCMT70.27
Series	Mega Prep Table
Color	stainless steel
Volts	115
Market	North America

MEGA PREP TABLE

Model No.
KCMT70

Publication No.
5995650842
14/09/10
(EN/SERVICE/KC)
099

RECOMMENDED SPARE PARTS



KCMT70.27-Spares

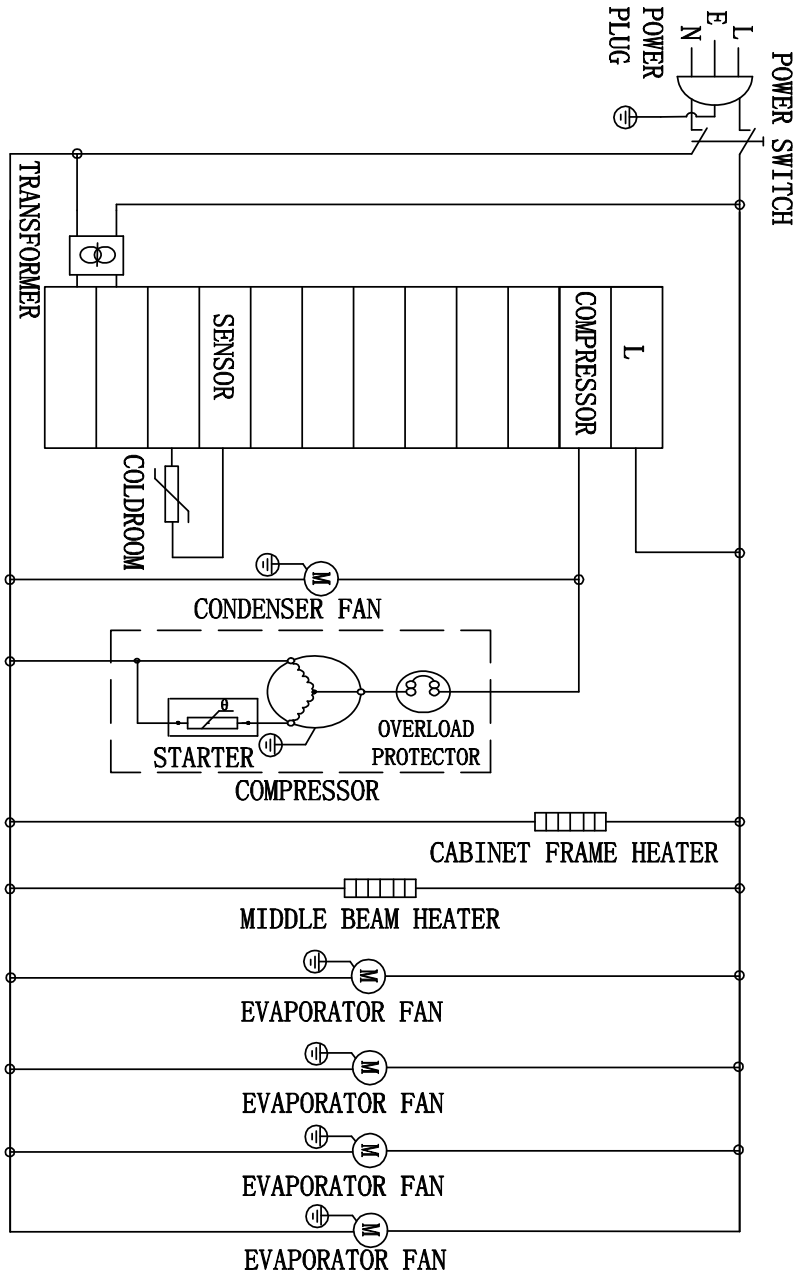
RECOMMENDED SPARE PARTS

POS. NO	PART NO.	DESCRIPTION
2	5304493406	Door, right/middle
3 #	5304493407	Gasket, door seal
4	5304492217	Door Closer, hinge spring
5	5304493360	Hinge Pin, door, upper
6	5304493361	Hinge, door, bottom right
7	5304493362	Hinge, door, upper right
8	5304493408	Door, left side
10	5304493409	Hinge, door, bottom left
11	5304493410	Hinge, door, top left
13	5304493363	Bracket, cutting board
14	5304493522	Board, cutting
15-1	5304493572	Hood, lid, large
15-2	5304493574	Hood, lid, small
16-1	5304493576	Lid, large
16-2	5304493578	Lid, small
17	5304493386	Hinge Kit, hood
21	5304493368	Support, air vent
22	5304493580	Cover, evaporator
23	5304493582	Cover, air return
24	5304493583	Pan, defrost drain, evaporator
25 #	5304493584	Evaporator
26	5304493586	Panel, fan motor mount
27	5304493588	Support, evaporator, left side
28	5304493590	Support, evaporator, right side
29 #	5304492231	Fan Assy, evaporator, with motor
30	5304493382	Bracket, stand off
31	5304493383	Control Box
32 #	5304492240	Controller, temp, (Carel)
32 #	5304496527	Controller, temp, (Juchuang)
33 #	5304492248	Switch, power
35	5304493390	Bracket, end pan, 25 mm
37	5304492261	Caster, 4 inch diameter, locking
38	5304492262	Caster, 4 inch diameter
42 #	5304493455	Condenser
43 #	5304492359	Motor, condenser fan
44 #	5304493456	Fan Blade, condenser fan
45	5304493105	Grille, fan cover, condenser
47 #	5304492275	Filter-drier
48	5304493457	Pan, drain, condensate
49 #	5304493028	Compressor, w/terminal box
52 #	5304493068	Overload
53 #	5304493067	Relay/Starter
54	5304493396	Pilaster, shelf mount, 2 screw
55	5304493397	Pilaster, shelf mount, 3 screw
57	5304493593	Shelf
58	5304493594	Panel, svce access, rear
59	5304493400	Plate, temp display
61 #	5304493401	Tube, drain, 16 mm dia
62 #	5304493100	Power Cord, electric, 115 V
63 #	5304492340	Probe, temp controller
64 #	5304493402	Probe, temp display, Fahrenheit
65 #	5304493083	Display, temperature, Fahrenheit
66 #	5304493077	Transformer, temp display
67	5304493403	Bracket, transformer
68	5304493595	Support, small caster, middle
69	5304493596	Caster, small, middle, w/o brake
71	5304493599	Plate, top board
72	5304493601	Strip, windshield

WIRING DIAGRAM

Kelvinator Commercial

CIRCUIT DIAGRAM



MODEL: KCMT70.27
TECHNIC PARAMETER

DESIGNED PRESSURE	
HIGH SIDE	358PSI
LOW SIDE	190PSI
REFRIGERANT	R134a
AMOUNT	14.81oz
FOAM AGENT	141b
RATED VOLTAGE	AC115V
FREQUENCY	60Hz
RATED CURRENT	8.8A
NET WEIGHT	170Kg
MANUFACTURED	

CONFORMS TO UL STD. 471
CERTIFIED TO CSA STD. C22.2 No. 120-M91
CONFORMS TO NSF/ANSI STD. 7