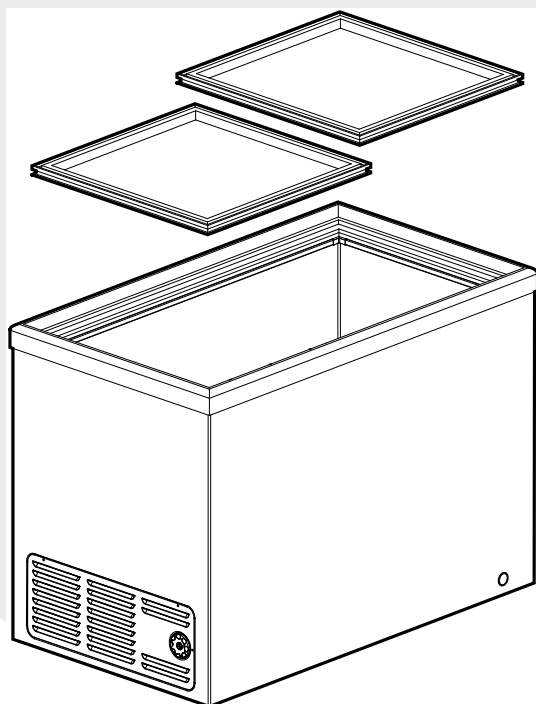




## Factory Parts Catalog



Product No.	KCNF070QWA
Series	Commercial
Color	white
Volts	115V
Owner's Guide	A01063901
Market	North America

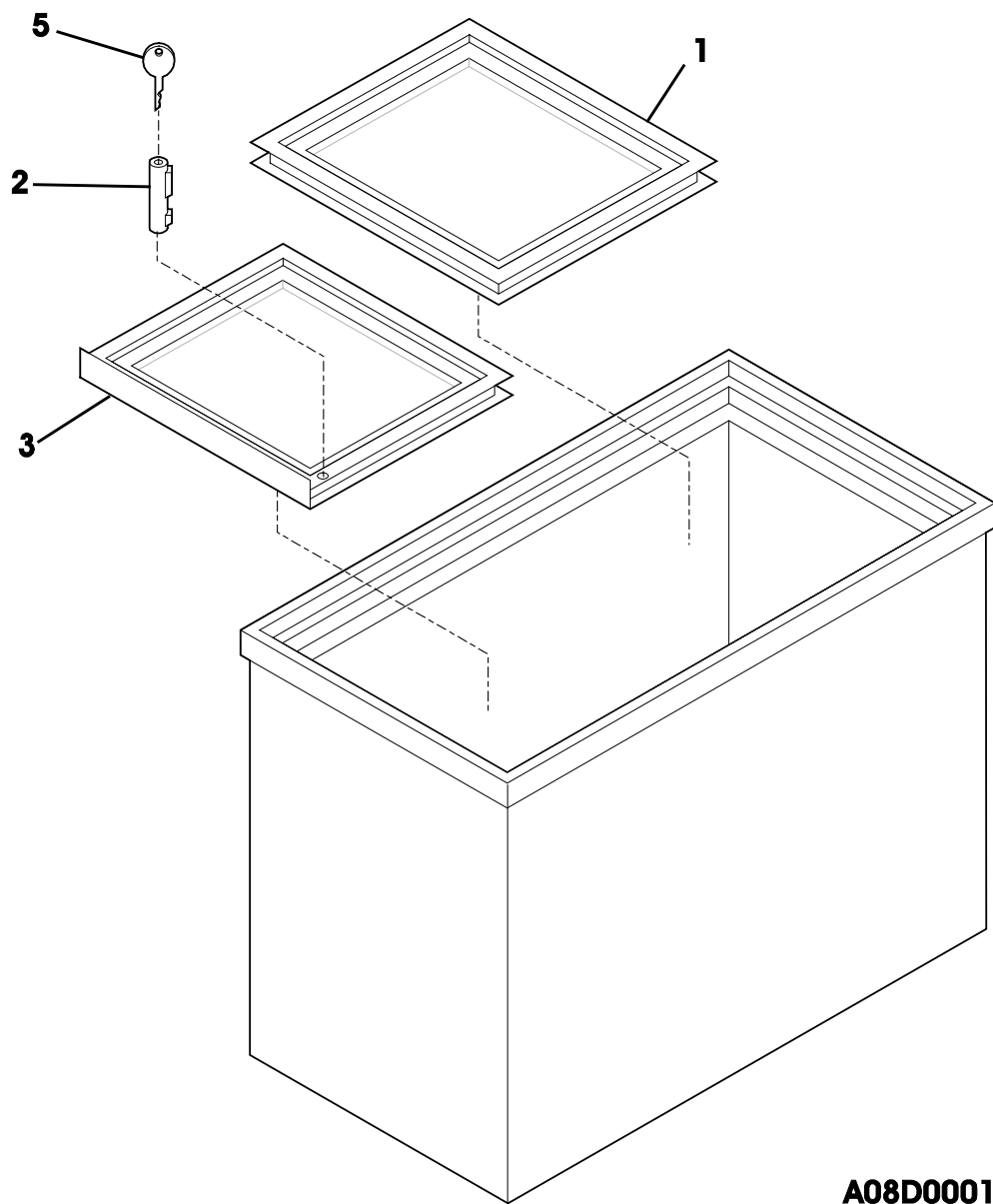
### **FREEZER CHEST**

Model No.  
**KCNF070QW**

Publication No.  
**5995659975**  
15/04/20  
(EN/SERVICE/)  
365

**DOOR**

---



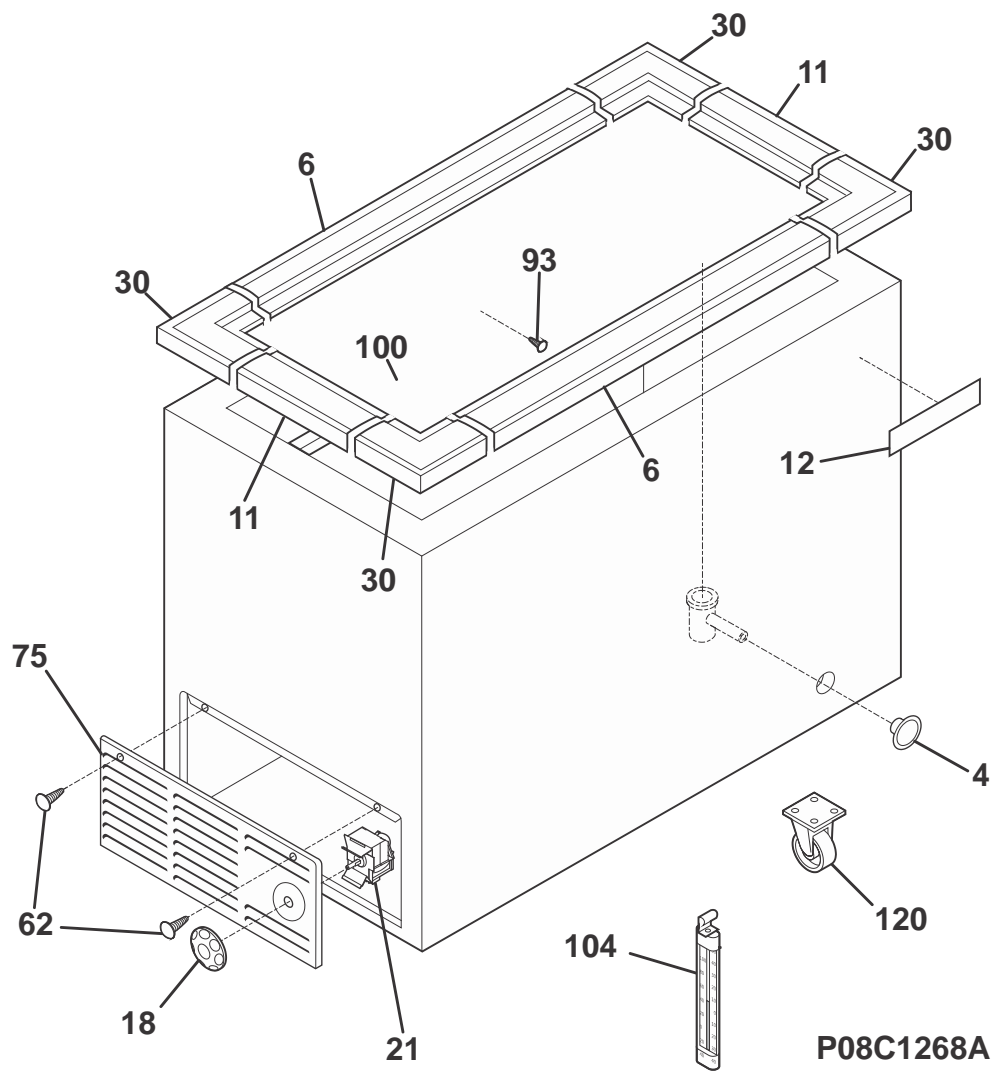
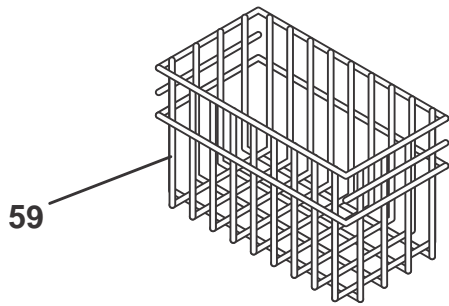
**A08D0001**

**DOOR**

---

POS. NO	PART NO.	DESCRIPTION
1	5304501807	Lid, glass, top
2	216621200	Lock Assy, frzr lid
3	5304501806	Lid, w/fixed lock, glass, bottom
5	216621300	Key, frzr lid lock
*	240494001	Plug-button, white, cab liner holes
*	216858001	Screw, 8-18x.50 AB, #10

**CABINET**



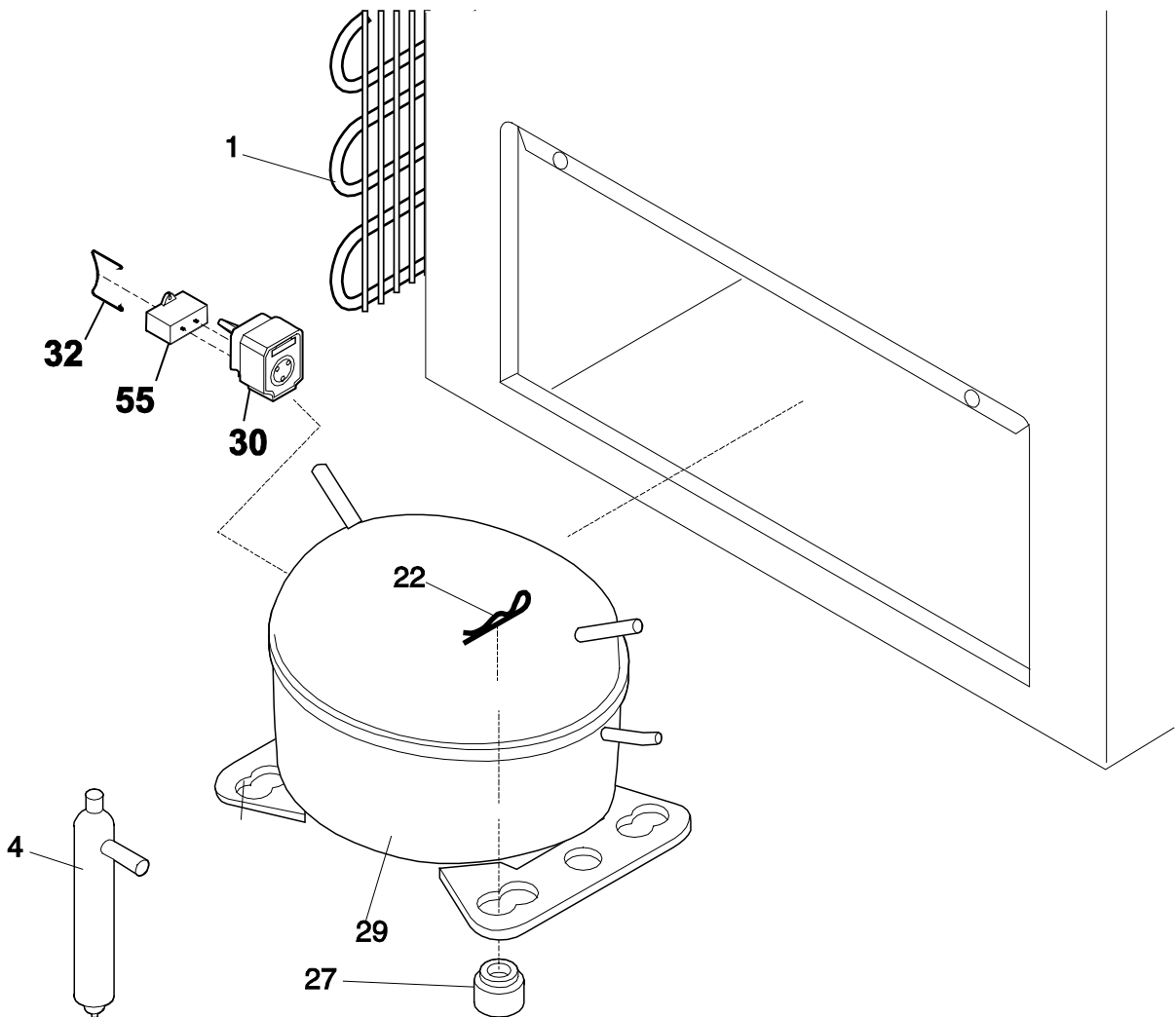
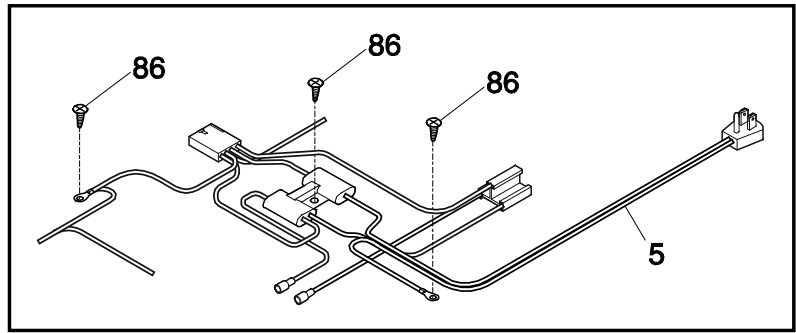
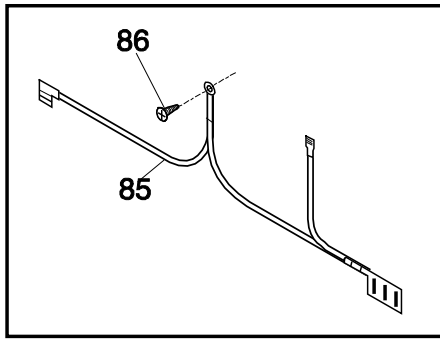
---

**CABINET**


---

POS. NO	PART NO.	DESCRIPTION
3	216502600	Plug, drain, interior
4	297013600	Plug, drain, exterior
6	297400602	Breaker
11	297400606	Breaker, white, chest end, (2)
12	297146601	Nameplate, Commercial
18	216707201	Knob, temp control
21	297216000	Control-temperature
30	297400500	Breaker-corner, white
59	297118401	Basket
62	5304463819	Screw, AB, 8-18X3/8
73	297070101	Thermometer
75	297412700	Panel, access, white
79	3017666	Nut-insert
93	5304460605	Screw, ph truss head, 8-18AB x 0.500
100	216654200	Track-basket
120	216621000	Caster
*	216621100	Wrench
*	216614300	Screw
*	216858001	Screw, 8-18x.50 AB, #10
*	5304493735	Wire Guard

**SYSTEM**



P08S0355

**SYSTEM**

---

POS. NO	PART NO.	DESCRIPTION
1 #	5303280307	Condenser
4 #	297396820	Filter-dryer
5 #	297345810	Harness
22	216056401	Clip-compressor mtg
27	216337701	Screw, HWH, 10-24 x 0.500, Swage
29 #	297406910	Compressor
*	297405100	Support, compressor
30	297259511	Controller, compressor
32	216954300	Clip, controller
55 #	297286805	Capacitor-run
85	216818300	Wire-ground
86	216707801	Screw, PH, 8-32 x 1/2, wiring harness
*	297398000	Spacer
*	216858001	Screw, 8-18x.50 AB, #10