



**Kelvinator** 

## Factory Parts Catalog

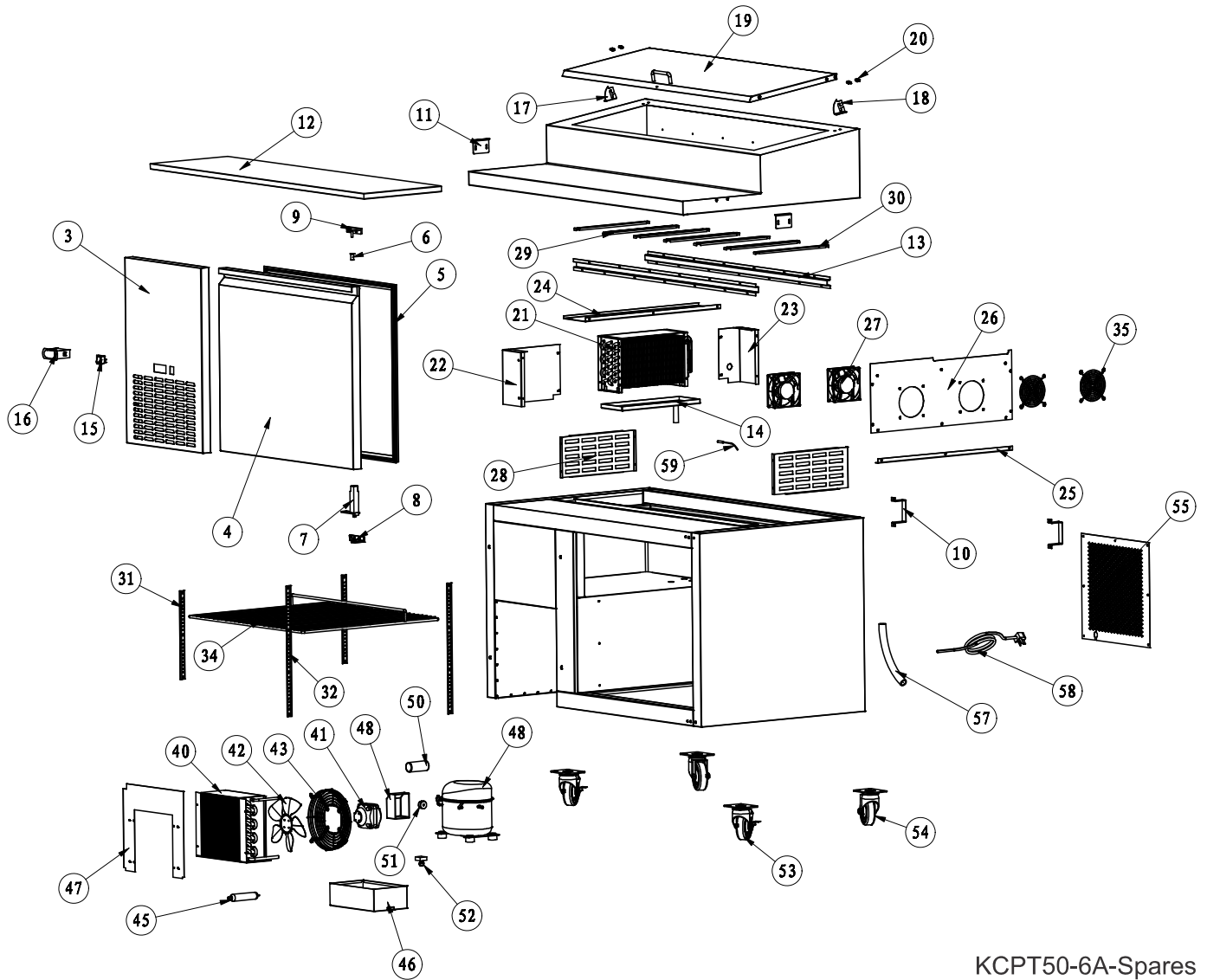
Product No.	KCPT50.6
Series	Pizza Table
Color	stainless steel
Volts	115
Market	North America

### PIZZA PREP TABLE

Model No.  
KCPT50

Publication No.  
**5995650065**  
14/08/19  
(EN/SERVICE/KC)  
099

RECOMMENDED SPARE PARTS



KCPT50-6A-Spares

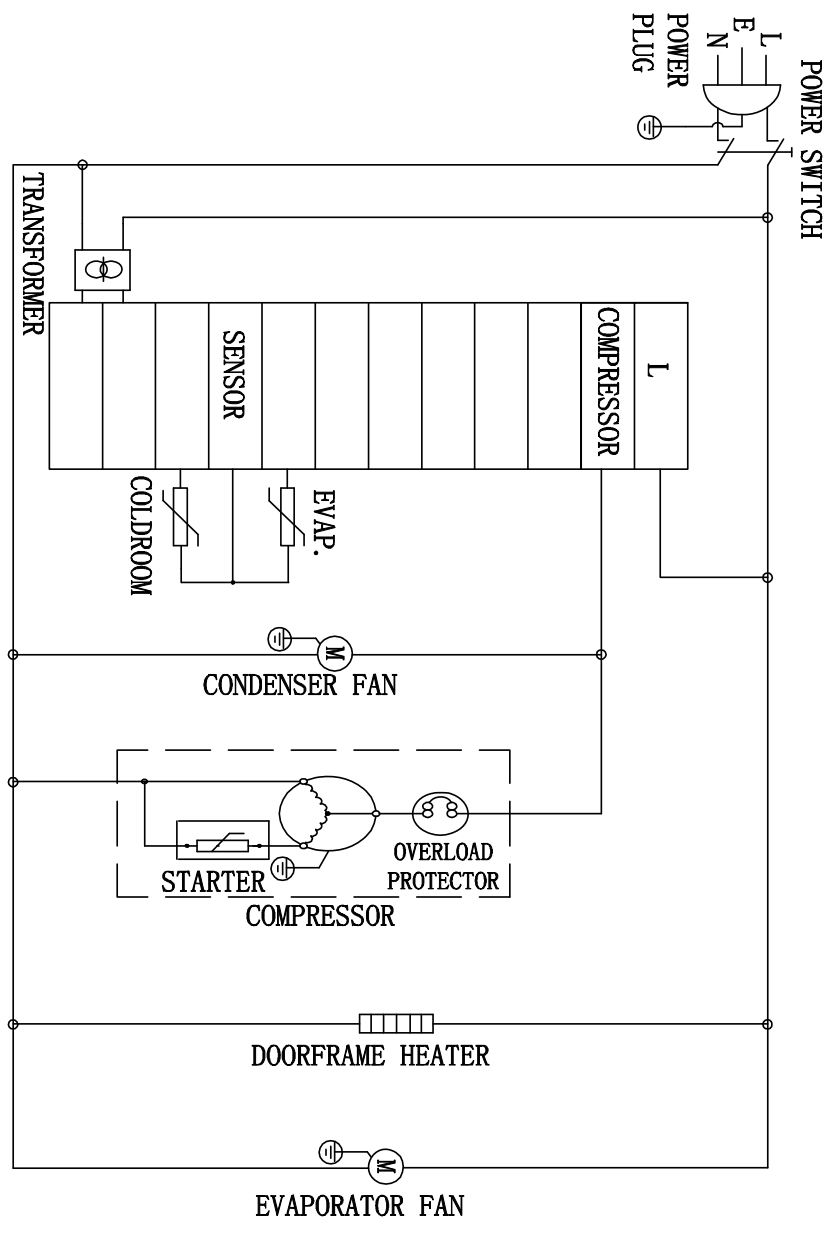
## RECOMMENDED SPARE PARTS

---

POS. NO	PART NO.	DESCRIPTION
3	5304493462	Cover, condenser, control panel
4	5304497880	Door
5 #	5304497881	Gasket, door seal
6	5304493360	Hinge Pin, door, upper
7	5304492217	Door Closer, hinge spring
8	5304493361	Hinge, door, bottom right
9	5304493362	Hinge, door, upper right
10	5304493382	Bracket, stand off
11	5304493363	Bracket, cutting board
12	5304497353	Board, cutting
13	5304497354	Rail, pan
14	5304497882	Pan, defrost drain, evaporator
15 #	5304492248	Switch, power
16 #	5304496527	Controller, temp, (Juchuang)
16 #	5304492240	Controller, temp, (Carel)
17	5304493469	Hinge, top lid, left
18	5304493470	Hinge, top lid, right
19	5304497883	Lid
20	5304493473	Hinge Pin, lid
21 #	5304497884	Evaporator
22	5304497885	Support, evap cover, left side
23	5304493476	Support, evap cover, right side
24	5304493477	Support, evap cover, upper
25	5304493478	Support, evap cover, bottom
26	5304493479	Panel, fan mount
27 #	5304492231	Fan Assy, evaporator, with motor
28	5304493480	Grille, inner
29	5304493481	Bracket, end pan, 25 mm wide
30	5304493482	Bracket, end pan, 15 mm wide
31	5304493397	Pilaster, shelf mount, 3 screw
32	5304493483	Pilaster, shelf mount, 4 screw
34	5304497970	Shelf
35	5304493485	Grille, fan cover, evaporator
40 #	5304497886	Condenser
41 #	5304492271	Motor, condenser fan
42 #	5304493298	Fan Blade, condenser fan
43	5304493299	Cover, condenser fan
45 #	5304492275	Filter-drier
46	5304493296	Pan, drain, condensate
47	5304493501	Frame, air baffle, condenser
48 #	5304493026	Compressor, w/terminal box
50 #	5304493032	Capacitor, start
51 #	5304493031	Overload
52 #	5304493030	Relay/Starter
53	5304492261	Caster, 4 inch diameter, locking
54	5304492262	Caster, 4 inch diameter
55	5304493502	Panel, svce access, rear grille
57 #	5304493401	Tube, drain, 16 mm dia
58 #	5304493100	Power Cord, electric, 115 V
59 #	5304492340	Probe, temp controller

**WIRING DIAGRAM**

**CIRCUIT DIAGRAM**



**MODEL: KCPT50.6  
TECHNIC PARAMETER**

DESIGNED PRESSURE	
HIGH SIDE	358PSI
LOW SIDE	190PSI
REFRIGERANT	R134a
AMOUNT	350g
FOAM AGENT	141b
RATED VOLTAGE	AC115V
FREQUENCY	60Hz
RATED CURRENT	6.0A
NET WEIGHT	130Kg
MANUFACTURED	