

Kelvinator 

Factory Parts Catalog

Product No.	KCS050LW0
Series	Commercial
Color	white
Volts	115V
Owner's Guide	297147500
Market	North America

 **Electrolux**

Electrolux Major Appliances

P.O. BOX 212378
AUGUSTA, GA 30917

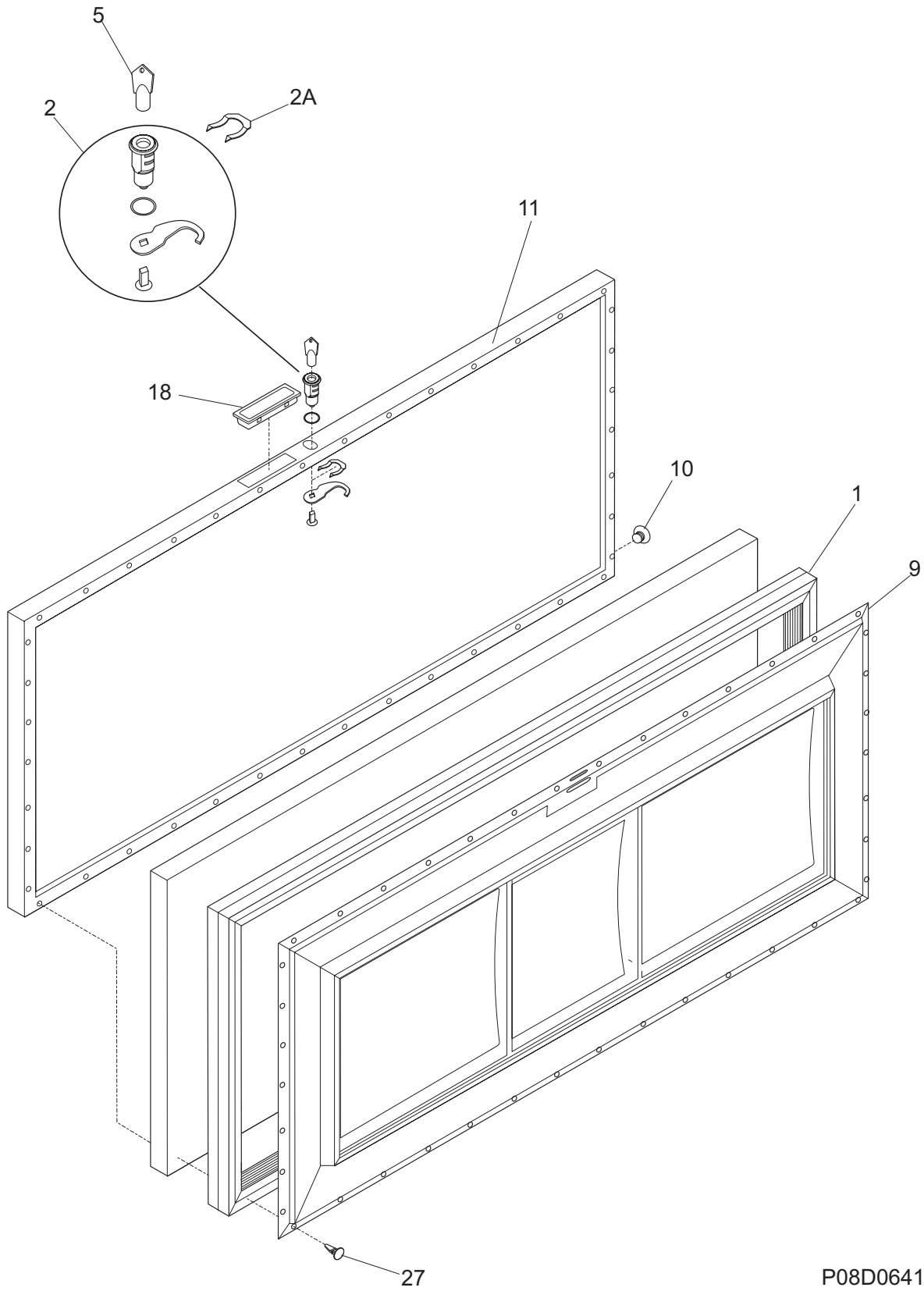
Publication No.
5995560611
10/03/03
(EN/SERVICE/MLR)
365

FREEZER CHEST

Model No.
KCS050LW

Copyright © 2009 Electrolux Home Products, Inc.
All rights reserved.

DOOR



P08D0641

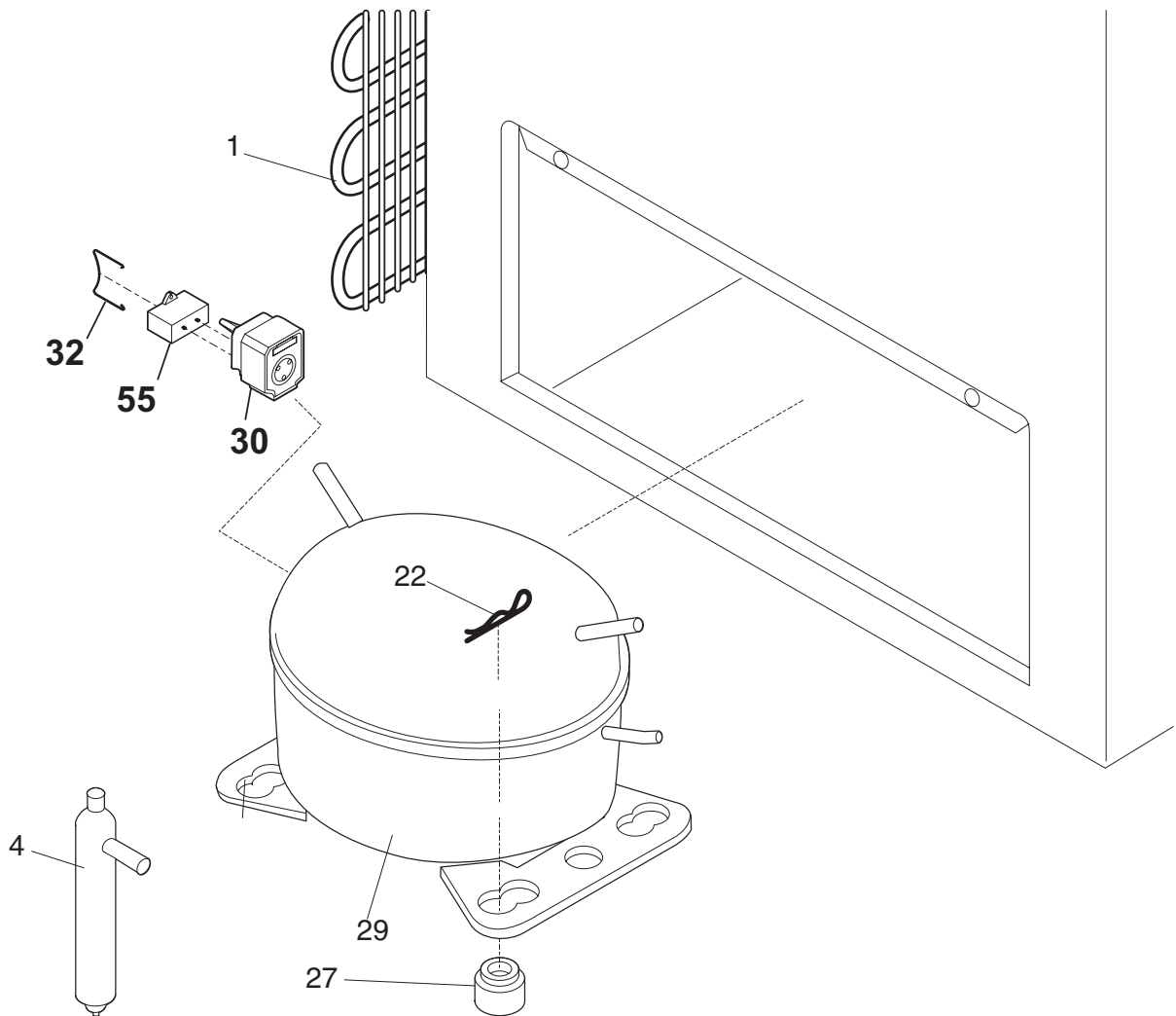
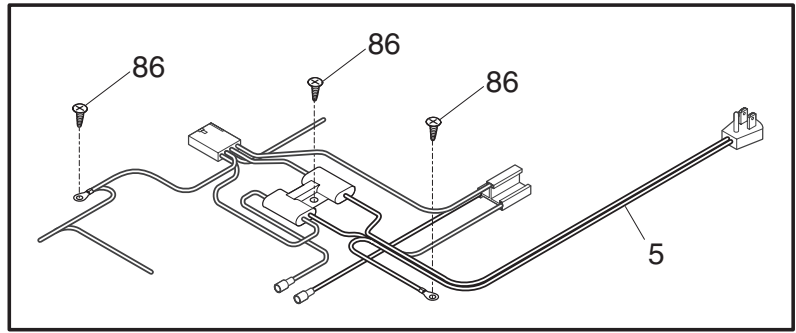
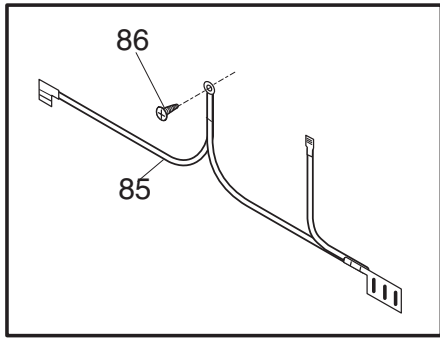
DOOR

POS. NO	PART NO.	DESCRIPTION
1	216480811	Gasket-door, white
2	297090200	Lock Assy
2A	297090900	Clip, spring
5	297147700	Key, lock
9	216061504	Panel-inner door, white, frzr
10	216923001	Plug button, 1/4", white
11	216106013	Panel-outer door, white
*	216858001	Screw, 8-18x.50 AB, #10
18	297034202	Handle, recessed, chrome, w/gasket
27	5303212828	Clip, panel mtg
27*	5304406520	Clip, panel mtg kit, (40)
*	5303917276	Insulation-door, fiberglass, (bulk)

CABINET

POS. NO	PART NO.	DESCRIPTION
1	297014100	Catch-lock, white
3	216502600	Plug, drain, interior
4	297013600	Plug, drain, exterior
6	216855700	Breaker, hinge side
7	216855701	Breaker-lock side, white
11	216855706	Breaker-ends, white
12A	297146600	Nameplate, Commercial
18	216707201	Knob, temp control
21 #	216759300	Control-temperature
27	216337701	Screw, HWH, 10-24 x 0.500, Swage
28	297313200	Hinge Assy
28	297313202	Hinge Assy, w/o spring, white
30	216105500	Breaker-corners, white
59	297118501	Basket
62	5304463819	Screw, AB, 8-18X3/8
75	216782000	Panel-access, white
104	297074200	Thermometer
136	216706700	Guard-splash
*	216621000	Caster
*	297095300	Plug, white
*	297151500	CASTER PACK, 4 casters, wrench, 16 screws
*	5303305324	Paint, touch-up, white

SYSTEM



P08S0355

SYSTEM

POS. NO	PART NO.	DESCRIPTION
1	5300120779	Condenser
4	216987501	Drier-filter
5 #	216952000	Harness-main
22	216056401	Clip-compressor mtg
27	297293300	Grommet, compressor
29 #	297270400	Compressor, w/o electricals
30	216954222	Controller
32	216649200	Clip, controller
55	216985002	Capacitor, run, 12 MF
85	216818300	Wire-ground
86	216707801	Screw, PH, 8-32 x 1/2, wiring harness