



**Kelvinator** 

## Factory Parts Catalog

Product No.	KCST27-8
Series	salad table
Color	stainless steel
Volts	115
Market	North America

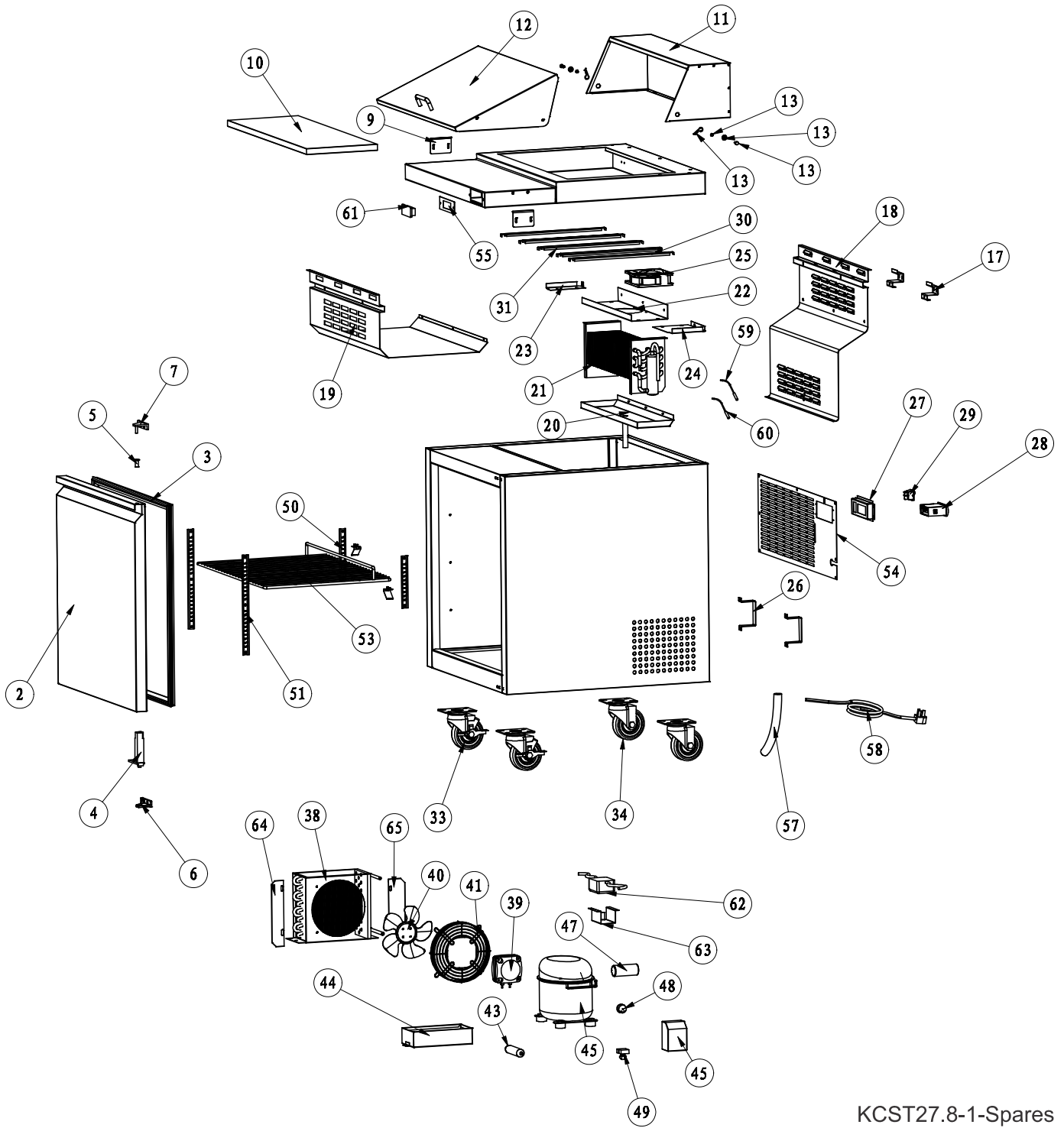
This Catalog replaces 5995623252

Publication No.  
**5995650255**  
14/08/25  
(EN/SERVICE/KC)  
099

### SALAD/SANDWICH PREP TABLE

Model No.  
KCST27

RECOMMENDED SPARE PARTS



KCST27.8-1-Spares

## RECOMMENDED SPARE PARTS

---

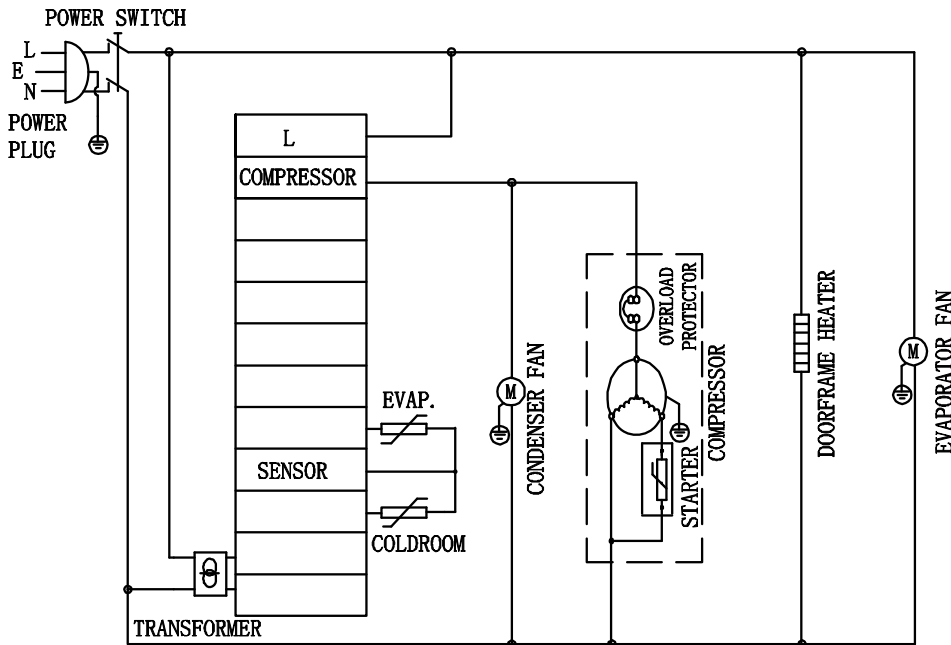
POS. NO	PART NO.	DESCRIPTION
2	5304493358	Door
3 #	5304493359	Gasket, door seal
4	5304492217	Door Closer, hinge spring
5	5304493360	Hinge Pin, door, upper
6	5304493361	Hinge, door, bottom right
7	5304493362	Hinge, door, upper right
9	5304493363	Bracket, cutting board
10	5304493364	Board, cutting
11	5304493384	Hood, lid
12	5304493366	Lid
13	5304493386	Hinge Kit, hood
17	5304493368	Support, air vent
18	5304493369	Cover, evaporator
19	5304493370	Cover, air return
20	5304493372	Pan, defrost drain, evaporator
21 #	5304493373	Evaporator
22	5304493374	Panel, fan motor mount
23	5304493378	Support, evaporator, left side
24	5304493380	Support, evaporator, right side
25 #	5304492231	Fan Assy, evaporator, with motor
26	5304493382	Bracket, stand off
27	5304493383	Control Box
28 #	5304496527	Controller, temp, (Juchuang)
28 #	5304492240	Controller, temp, (Carel)
29 #	5304492248	Switch, power
30	5304493387	Bracket, end pan, 15 mm
31	5304493389	Bracket, end pan, 25 mm
33	5304492261	Caster, 4 inch diameter, locking
34	5304492262	Caster, 4 inch diameter
38 #	5304493111	Condenser
39 #	5304493104	Motor, condenser fan
40 #	5304493110	Fan Blade, condenser fan
41	5304493105	Grille, fan cover, condenser
43 #	5304493106	Filter-drier
44	5304493395	Pan, drain, condensate
45 #	5304493026	Compressor, w/terminal box
47 #	5304493032	Capacitor, start
48 #	5304493031	Overload
49 #	5304493030	Relay/Starter
50	5304493396	Pilaster, shelf mount, 2 screw
51	5304493397	Pilaster, shelf mount, 3 screw
53	5304493398	Shelf
54	5304493399	Panel, service access, rear
55	5304493400	Plate, temp display
57 #	5304493401	Tube, drain, 16 mm dia
58 #	5304493100	Power Cord, electric, 115 V
59 #	5304492340	Probe, temp controller
60 #	5304493402	Probe, temp display, Fahrenheit
61 #	5304493083	Display, temperature, Fahrenheit
62 #	5304493077	Transformer, temp display
63	5304493403	Bracket, transformer
64	5304493404	Baffle, air, left
65	5304493405	Baffle, air, right

**WIRING DIAGRAM**

**CIRCUIT DIAGRAM**

MODEL : KCST27.8

**TECHNIC PARAMETER**



DESIGNED PRESSURE	
HIGH SIDE	358PSI
LOW SIDE	190PSI
REFRIGERANT	
AMOUNT	R134a
FOAM AGENT	230g
FOAM AGENT	141b
RATED VOLTAGE	AC115V
FREQUENCY	60Hz
RATED CURRENT	5.3A
NET WEIGHT	80Kg
MANUFACTURED	



3029076



3029079