



**Kelvinator** 

## Factory Parts Catalog

Product No.	KCUC27F
Series	under counter
Color	stainless steel
Volts	115
Market	North America

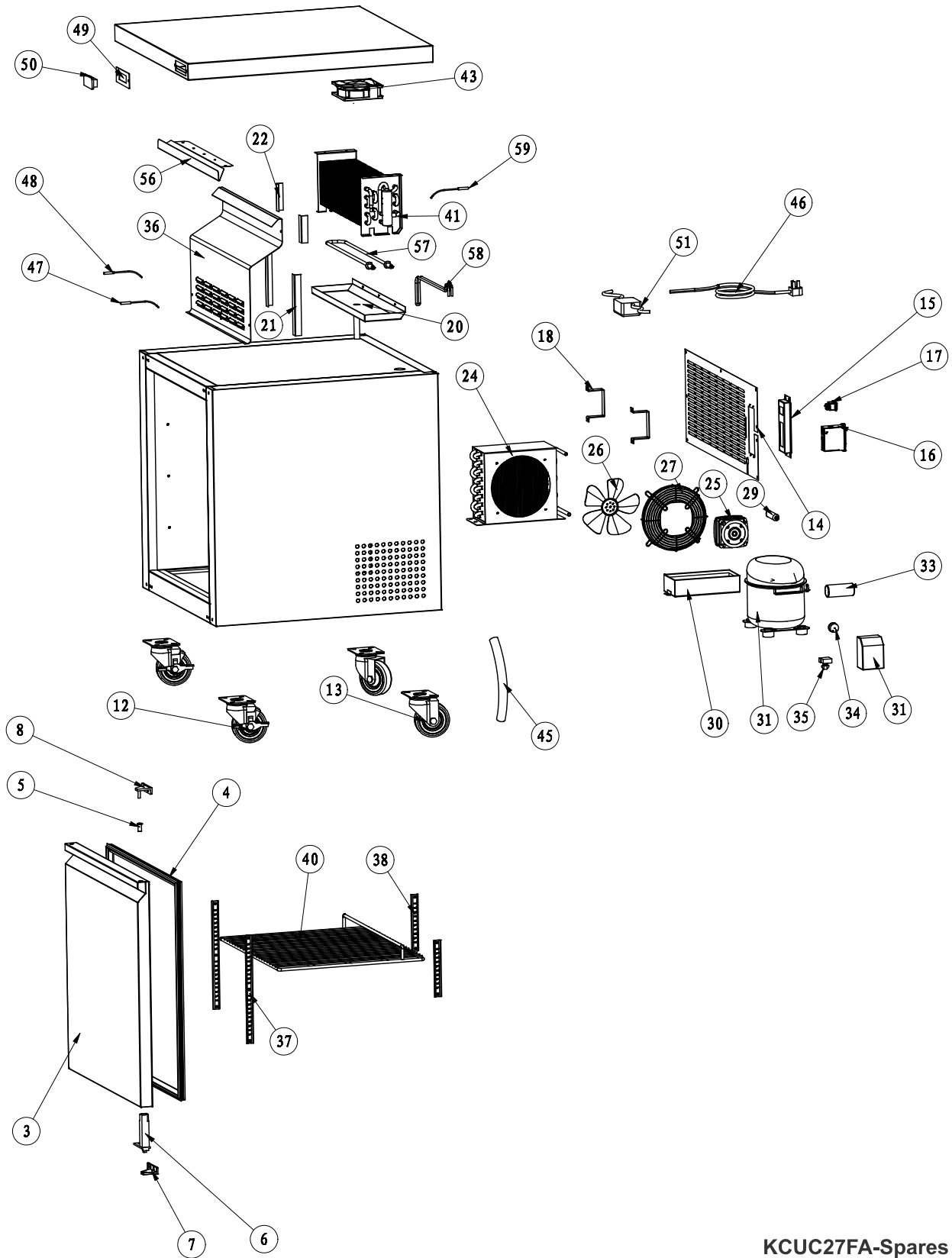
This Catalog replaces 5995624284

Publication No.  
**5995650859**  
14/09/11  
(EN/SERVICE/KC)  
099

### UNDER-COUNTER FREEZER

Model No.  
KCUC27

RECOMMENDED SPARE PARTS



KCUC27FA-Spares

---

**RECOMMENDED SPARE PARTS**

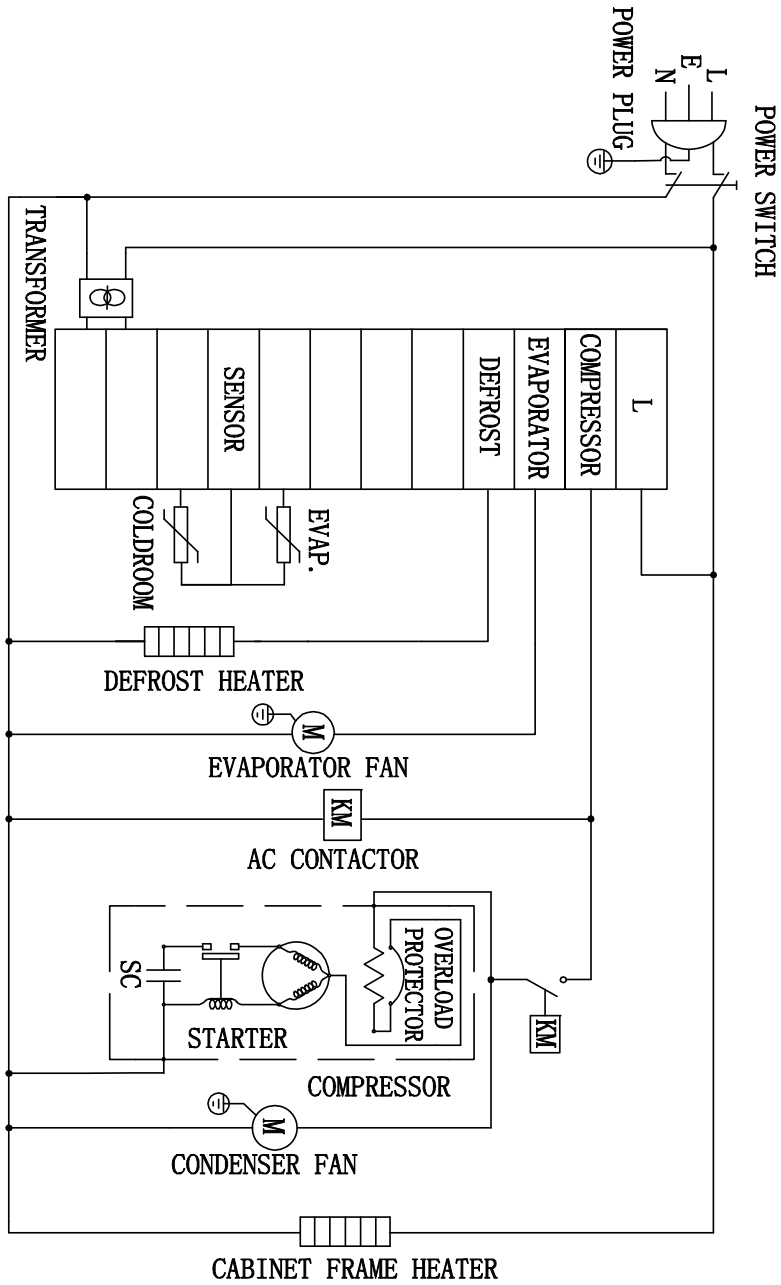

---

POS. NO	PART NO.	DESCRIPTION
3	5304493558	Door
4 #	5304493559	Gasket, door seal
5	5304493360	Hinge Pin, door, upper
6	5304492217	Door Closer, hinge spring
7	5304493361	Hinge, door, bottom right
8	5304493362	Hinge, door, upper right
12	5304492261	Caster, 4 inch diameter, locking
13	5304492262	Caster, 4 inch diameter
14	5304493563	Panel, svce access, rear grille
15	5304493383	Control Box
16 #	5304492245	Controller, temp, (Carel)
16 #	5304497840	Controller, temp, (Juchuang)
17 #	5304492248	Switch, power
18	5304493382	Bracket, stand off
19	5304493393	Rail, compressor mtg
20	5304493372	Pan, defrost drain, evaporator
24 #	5304493111	Condenser
25 #	5304492271	Motor, condenser fan
26 #	5304493456	Fan Blade, condenser fan
27	5304493105	Grille, fan cover, condenser
29 #	5304493106	Filter-drier
30	5304493395	Pan, drain, condensate
31 #	5304493297	Compressor, w/terminal box
33 #	5304493313	Capacitor, start
34 #	5304493312	Overload
35 #	5304493311	Relay/Starter
36	5304493564	Cover, evaporator
37	5304493397	Pilaster, shelf mount, 3 screw
38	5304493396	Pilaster, shelf mount, 2 screw
40	5304493565	Shelf
41 #	5304493566	Evaporator
43 #	5304492231	Fan Assy, evaporator, with motor
45 #	5304493401	Tube, drain, 16 mm dia
46 #	5304493100	Power Cord, electric, 115 V
47 #	5304492340	Probe, temp controller
48 #	5304493402	Probe, temp display, Fahrenheit
49	5304493400	Plate, temp display
50 #	5304493083	Display, temperature, Fahrenheit
51 #	5304493077	Transformer, temp display
56	5304493569	Baffle
57 #	5304493570	Heater, defrost
58 #	5304492344	Heater, drain hose
59 #	5304492342	Sensor, temperature, evaporator

**WIRING DIAGRAM**

**Kelvinator Commercial**

**CIRCUIT DIAGRAM**



CONFORMS TO UL STD. 471  
 CERTIFIED TO CSA STD. C22.2 No. 120-M91  
 CONFORMS TO NSF/ANSI STD. 7

**MODEL : KCUC27F**  
**TECHNIC PARAMETER**

DESIGNED PRESSURE	
HIGH SIDE	335PSI
LOW SIDE	180PSI
REFRIGERANT	R404A
AMOUNT	7.80oz
FOAM AGENT	141b
RATED VOLTAGE	AC115V
FREQUENCY	60Hz
RATED CURRENT	6.3A
NET WEIGHT	72Kg
MANUFACTURED	