



Kelvinator 

Factory Parts Catalog

Product No.	KCUC48F
Series	Under-counter
Color	stainless steel
Volts	115
Market	North America

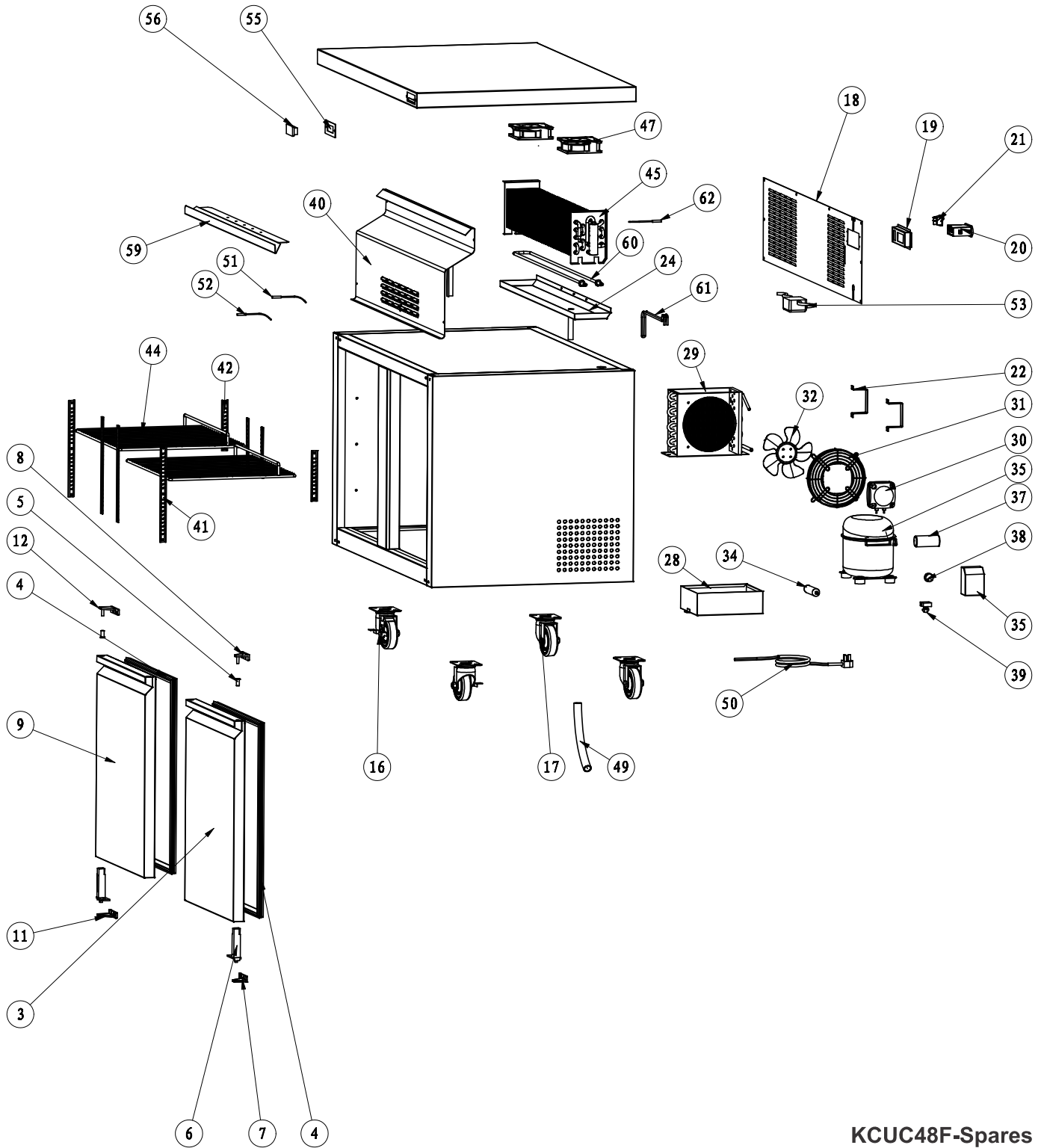
This Catalog replaces 5995624318

Publication No.
5995651006
14/09/12
(EN/SERVICE/KC)
099

UNDER-COUNTER FREEZER

Model No.
KCUC48

RECOMMENDED SPARE PARTS



KCUC48F-Spares

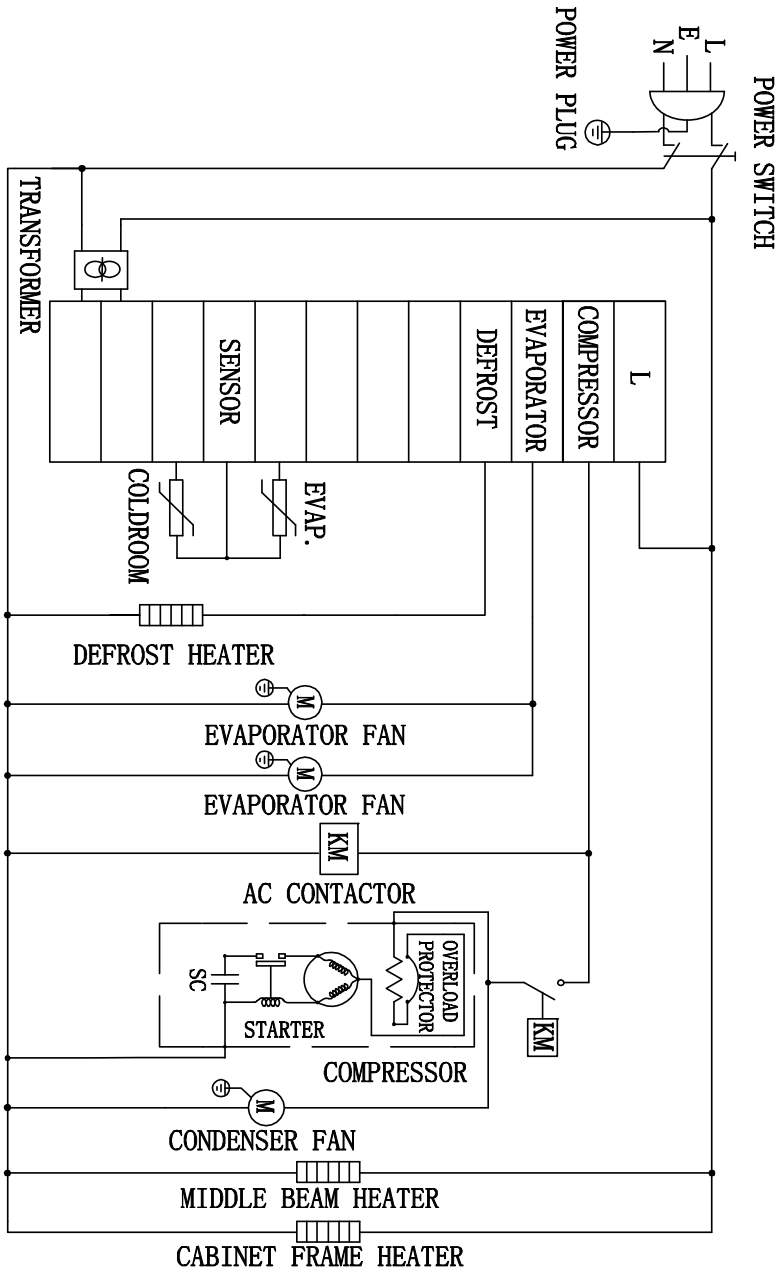
RECOMMENDED SPARE PARTS

POS. NO	PART NO.	DESCRIPTION
3	5304493603	Door, right side
4 #	5304493605	Gasket, door
5	5304493360	Hinge Pin, door, upper
6	5304492217	Door Closer, hinge spring
7	5304493361	Hinge, door, bottom right
8	5304493362	Hinge, door, upper right
9	5304493607	Door, left side
11	5304493409	Hinge, door, bottom left
12	5304493410	Hinge, door, top left
16	5304492261	Caster, 4 inch diameter, locking
17	5304492262	Caster, 4 inch diameter
18	5304493611	Panel, service access, rear
19	5304493383	Control Box
20 #	5304492245	Controller, temp, (Carel)
20 #	5304497840	Controller, temp, (Juchuang)
21 #	5304492248	Switch, power
22	5304493382	Bracket, stand off
24	5304493612	Pan, defrost drain, evaporator
28	5304493457	Pan, drain, condensate
29 #	5304493613	Condenser
30 #	5304492271	Motor, condenser fan
31	5304493105	Grille, fan cover, condenser
32 #	5304493456	Fan Blade, condenser fan
34 #	5304493106	Filter-drier
35 #	5304493297	Compressor, w/terminal box
37 #	5304493313	Capacitor, start
38 #	5304493312	Overload
39 #	5304493311	Relay/Starter
40	5304493614	Cover, evaporator fan
41	5304493397	Pilaster, shelf mount, 3 screw
42	5304493396	Pilaster, shelf mount, 2 screw
44	5304493458	Shelf
45 #	5304493615	Evaporator
47 #	5304492231	Fan Assy, evaporator, with motor
49 #	5304493401	Tube, drain, 16 mm dia
50 #	5304493100	Power Cord, electric, 115 V
51 #	5304492340	Probe, temp controller
52 #	5304493402	Probe, temp display, Fahrenheit
53 #	5304493077	Transformer, temp display
55	5304493400	Plate, temp display
56 #	5304493083	Display, temperature, Fahrenheit
59 #	5304493617	Baffle
60 #	5304493618	Heater, defrost, evaporator
61 #	5304492344	Heater, drain hose
62 #	5304492342	Sensor, temperature, evaporator

WIRING DIAGRAM

Kelvinator Commercial

CIRCUIT DIAGRAM



CONFORMS TO UL STD. 471
 CERTIFIED TO CSA STD. C22.2 No. 120-M91
 CONFORMS TO NSF/ANSI STD. 7

**MODEL: KCUC48F
 TECHNICAL PARAMETER**

DESIGNED PRESSURE	
HIGH SIDE	345PSI
LOW SIDE	185PSI
REFRIGERANT	R404A
AMOUNT	12.4oz
FOAM AGENT	141b
RATED VOLTAGE	AC115V
FREQUENCY	60Hz
RATED CURRENT	7.2A
NET WEIGHT	97Kg
MANUFACTURED	