

Kelvinator 

Factory Parts Catalog

| | |
|---------------|---------------|
| Product No. | KRS221LGW1 |
| Series | Commercial |
| Color | white |
| Volts | 115 |
| Owner's Guide | 297147600 |
| Market | North America |

 **Electrolux**

Electrolux Major Appliances
North & Latin America
P.O. BOX 212378
AUGUSTA, GA 30917

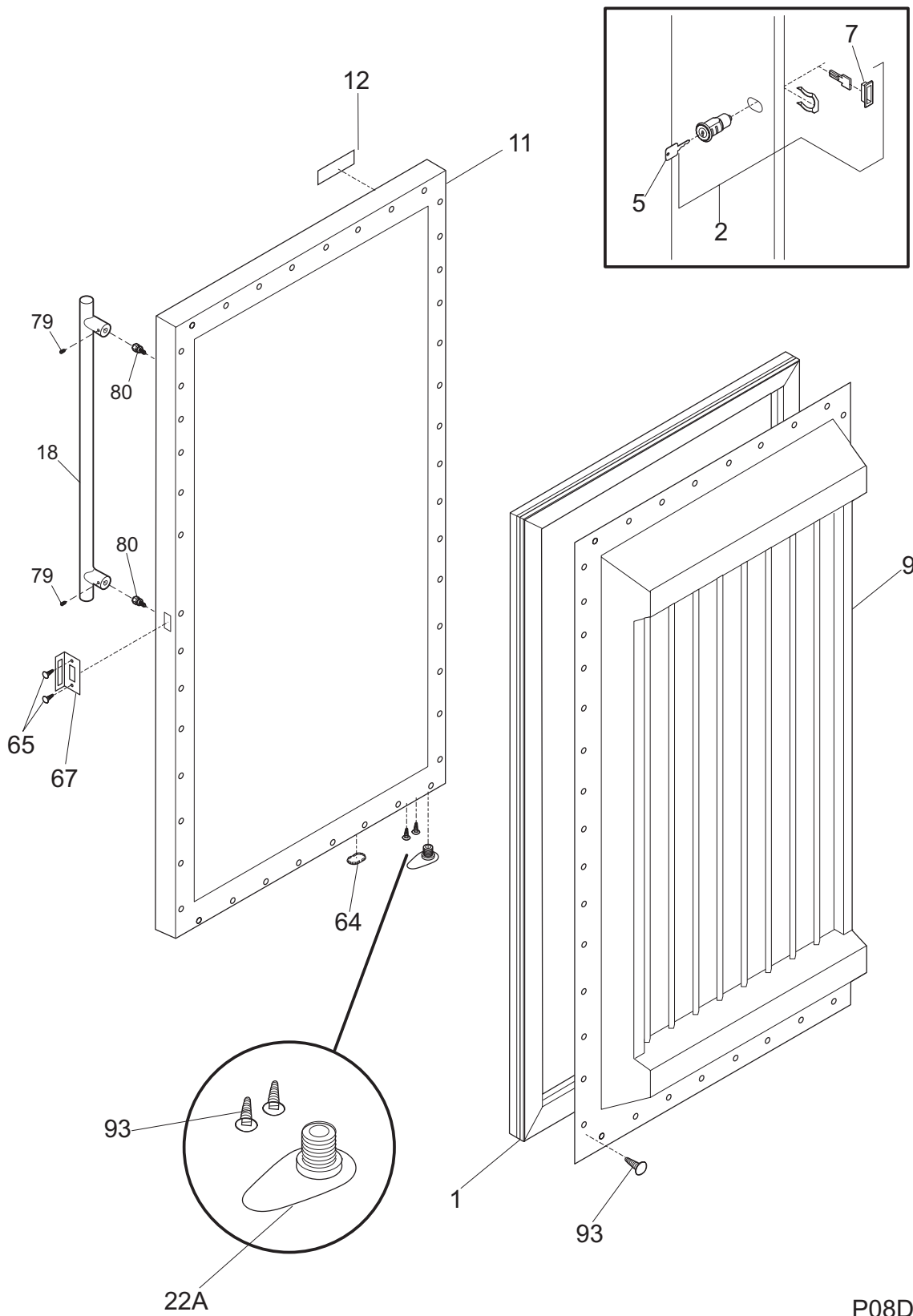
Publication No.
5995522744
08/08/27
(EN/SERVICE/MLR)
365

REFRIGERATOR

Model No.
KRS221LGW

Copyright © 2008 Electrolux Home Products, Inc.
All rights reserved.

DOOR

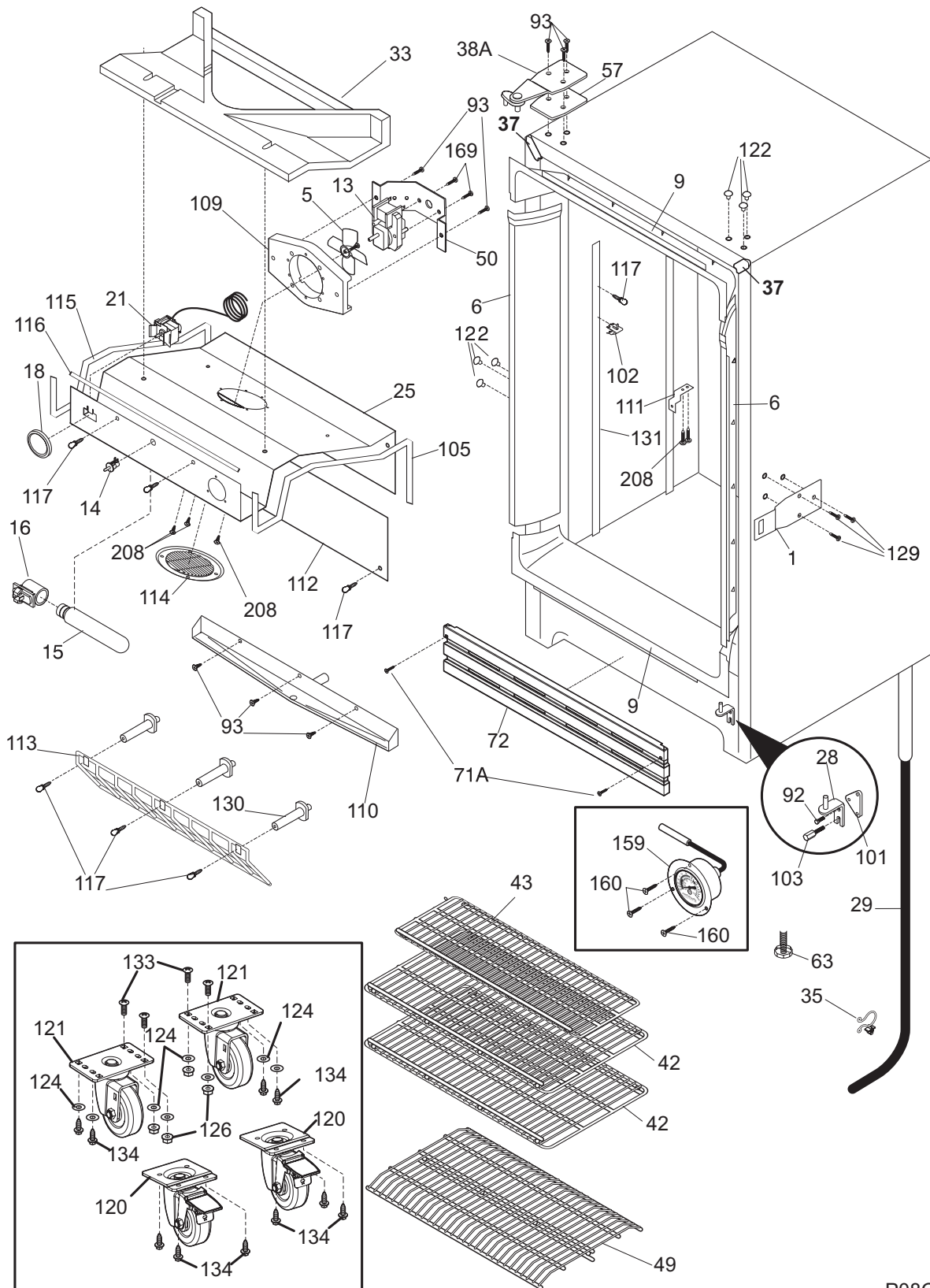


P08D0583

DOOR

| POS. NO | PART NO. | DESCRIPTION |
|---------|------------|---|
| 1 | 216522315 | Gasket-door, gray |
| 2 # | 216362700 | Lock Assy |
| 5 # | 216362800 | Key, lock |
| 7 | 216468700 | Bezel-lock |
| 9 | 297071000 | Panel-inner door |
| 11 | 216450105 | Panel-outer door |
| 12 | 297146600 | Nameplate, Commercial |
| 18 | 297141900 | Handle |
| 18* | 297167000 | Screw Driver |
| 18* | 297168700 | Instructions, handle |
| 22A | 216335400 | Bearing-hinge |
| 64 | 216403701 | Plug-button, hole filler, door base |
| 65 | 216423501 | Screw-retainer |
| 67 | 216423000 | Retainer-lock |
| 79 | 218755402 | Screw-set, 10-32 x 0.375 |
| 80 | 218755504 | Screw-shoulder, #10 AB, handle mounting |
| 93 | 5304460605 | Screw, ph truss head, 8-18AB x 0.500 |
| * | 216923003 | Plug button, 1/4", grey, (2) |

CABINET



P08C147

CABINET

| POS. NO | PART NO. | DESCRIPTION |
|---------|------------|--|
| 1 | 297222500 | Lock-catch |
| 5 # | 216325600 | Fan Blade |
| 6 | 297200900 | Breaker Kit w/corners |
| 9 | 297200100 | Breaker Kit w/corners, 32", top and bottom |
| 13 # | 216914200 | Motor, fan, 115 V |
| 14 | 216472300 | Switch-light plunger |
| 15 | 216518101 | Light Bulb/Lamp, blue |
| 16 | 216817601 | Socket, light/lamp, 25 W |
| 18 | 216591501 | Knob, temp control |
| 21# | 216423900 | Control-temperature |
| 25 | 216659103 | Cover-evaporator |
| 28 | 216335600 | Hinge-bottom, stepped pin |
| 29 | 216361901 | Hose-drain |
| 33 | 216680900 | Duct-air |
| 35 | 216273000 | Clip, drain hose |
| 37 | 241611301 | Trim-cabinet corner, white, (2) |
| 38A | 297215900 | Hinge-top, door closer |
| 42 | 216384000 | Shelf-full frame, wire, (2) |
| 43 | 216386200 | Shelf-partial, wire |
| 49 | 216331800 | Trivet |
| 50 | 08013207 | Bracket-fan motor |
| 57 | 216335500 | Spacer-hinge, top |
| 63 | 216396900 | Screw, leveling foot, plastic, adjustable |
| 71A | 216395801 | Screw, 1/4 20 x 1/2 |
| 72 | 297138900 | Grille/Kickplate |
| 92 | 216850900 | Screw, hex washer hd, 1/4 x 7/8, door stop/hng |
| 93 | 5304460605 | Screw, ph truss head, 8-18AB x 0.500 |
| 101 | 216335700 | Plate-hinge, tapping |
| 102 | 297121900 | Support shelf |
| 103 | 216336301 | Standoff-base panel |
| 105 | 216361100 | Gasket-cover evap, RH |
| 109 | 297014200 | Venturi, blower |
| 110 | 216377000 | Pan-drain, condensate |
| 111 | 297141400 | Bracket-evap cover |
| 111* | 3017666 | Nut-insert |
| 112 | 216381300 | Cover-drain, condensate |
| 113 | 216383600 | Grate-air intake |
| 114 | 297014400 | Cover-blower |
| 115 | 216383700 | Gasket-evap cover, LH |
| 116 | 216383800 | Gasket-evap cover, front |
| 117 | 216605500 | Thumbscrew |
| 120 | 297206600 | Caster-front, (2) |
| 121 | 297206500 | Caster-rear, (2) |
| 122 | 216429601 | Plug, white |
| 124 | 216658501 | Washer, (4) |
| 126 | 216658601 | Nut, lock, 5/16 UNC-3B |
| 129 | 216393301 | Screw-lock catch, one way |
| 130 | 216486800 | Support, evaporator mtg |
| 131 | 297122000 | Shelf-standard |
| 133 | 216658400 | Bolt, caster, 5/16 sq. neck, front |
| 134 | 240578902 | Screw, hex head, 1/4-20 x 5/8 |

CABINET

| POS. NO | PART NO. | DESCRIPTION |
|---------|---------------------------|--|
| 159 | 297070201 | Dial, thermometer |
| 160 | 297096100 | Screw, #6-20X.375 AB, stainless, thermo dial |
| 169 | 216912401 | Screw, hex washer head, 8-32 x 0.500, bracket fan mtr, (2) |
| 208 | 216504500 | Screw, AB, 8-18x.500 |
| * | 5303321319 | Paint, touch-up, white |
| * | 297001708 | Insulation, drain tube, 36" |
| * | 5303311565 | Clip-cable |
| * | 297211400 | Installation Instructions, casters |
| * | 297256300 | Kit, hardware caster |

SYSTEM

| POS. NO | PART NO. | DESCRIPTION |
|---------|------------|--|
| 1 | 297152201 | Condenser |
| 2 | 5308000110 | Strap-evap/heater, aluminum, (2) |
| 4 # | 216938600 | Drier-filter |
| 5 # | 297170600 | Harness-main |
| 14 | 216730700 | Heater-defrost |
| 15 # | 297052900 | Evaporator |
| 15A | 297219300 | Heat Exchanger |
| 18 | 297078700 | Insulator-evap, styrofoam |
| 19 | 297078800 | Insulator-evap, styrofoam |
| 20 | 216731001 | Thermostat, defrost |
| 23 # | 216744500 | Timer-defrost |
| 24 | 216968501 | Bracket-timer |
| 24A | 297207900 | Guard, timer |
| 27 | 297102900 | Grommet, compressor |
| 29 # | 297068205 | Compressor, w/o electricals |
| * | 5306594529 | Sleeve-compressor |
| 30 | 297051002 | Controller |
| 31 | 297165801 | Pan-drain |
| 32 | 297051100 | Clamp, elec cont mtg, compressor |
| 41 | 297070700 | Cover-wiring, rear |
| 60 | 241584301 | Motor-condenser fan |
| 61 | 241639501 | Blade-condenser fan |
| 64 | 216578800 | Vent |
| 65 | 5309950074 | Valve, breather |
| 86 | 216036601 | Screw, RWHD, 8-32A x 0.500, GX-CA |
| 87 | 5304463290 | Screw, hi-lo blunt, #8-18X1/2 |
| 93 | 5304460605 | Screw, ph truss head, 8-18AB x 0.500 |
| 107 | 297225500 | Cover, access |
| 130 | 216486800 | Support, evaporator mtg |
| 136 | 240405201 | Grommet, rubber, black, cond tube/wire |
| 138 | 297070800 | Cover-drain hose |
| 146 | 297164000 | Shroud-fan orifice |
| 146* | 216337701 | Screw, HWH, 10-24 x 0.500, Swage |
| * | 216225700 | Grommet-spacer |
| * | 240555002 | Screw-#8-32 X 3/8 |
| * | 297082300 | Harness-jumper |
| * | 297102800 | Spacer-tube |
| * | 297111000 | Standoff |
| * | 5303311565 | Clip-cable |
| * # | 297169900 | Cord-power, flat |