



## 4" Center Deck Mount Faucet Installation Manual

---

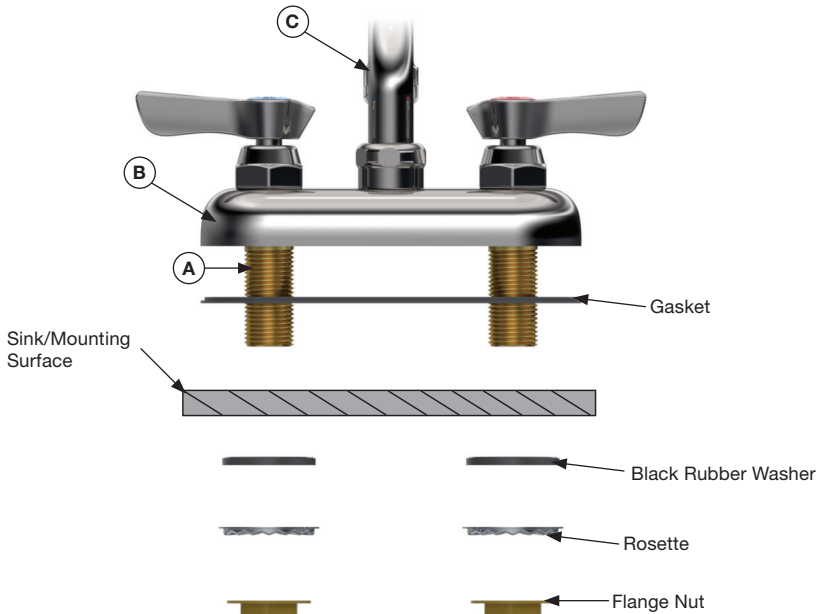
11-4 Faucets



SILVER  
SERIES

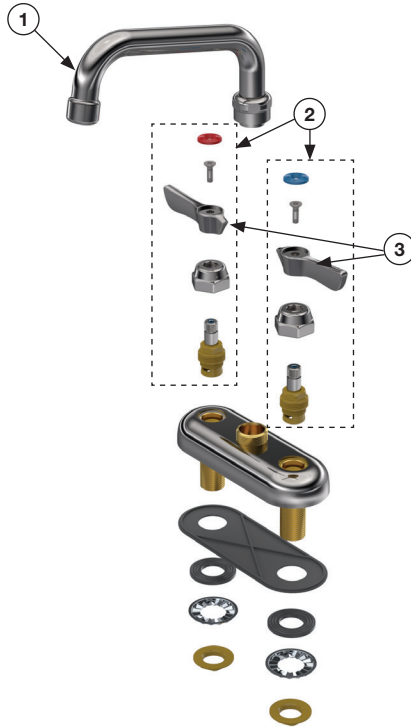
**WARNING: Plumbing connections should be made by qualified personnel who will observe all applicable plumbing, sanitary and safety codes.**

**Note:** We recommend Krowne's 1/2" x 3/8" Braided Supply Hoses (model [21-198L](#)). These kits do not use thread sealant tape or pipe joint compound. Kits come with 1/2" compression fittings on one side and 3/8" compression fittings that secure directly onto the supply stops. These are available in 24".



## Installation Instructions

1. Turn off water supply at main source before proceeding with installation.
2. Apply thread sealant tape or pipe joint compound to the ends of each threaded nipple (A).
3. Place the gasket under the faucet body (B).
4. From the front of the sink, insert the threaded nipples into the faucet holes in the sink.
5. From the back of the sink, place the included rubber washer, rosette, and flange nut from the included kit onto the threaded nipples and tighten with a wrench.
6. From the front of the sink, install the spout (C) and tighten properly.
7. From the back of the sink, install the water supply lines and tighten properly.



Scan to view  
aerator options

**Parts Guide**

No.	Model	Description
1	<a href="#">19-220L</a>	6" Swing Spout
1	<a href="#">19-221L</a>	8" Swing Spout
1	<a href="#">19-222L</a>	10" Swing Spout
1	<a href="#">19-223L</a>	12" Swing Spout
1	<a href="#">19-224L</a>	14" Swing Spout

No.	Model	Description
1	<a href="#">19-225L</a>	16" Swing Spout
1	<a href="#">19-226L</a>	18" Jointed Spout
1	<a href="#">19-227L</a>	3-1/2"W Gooseneck Spout
1	<a href="#">19-228L</a>	6"W Gooseneck Spout
1	<a href="#">19-229L</a>	8-1/2"W Gooseneck Spout

No.	Model	Description
2	<a href="#">21-300L</a>	Silver Series 1/4 Turn Ceramic Valves (full hot & cold valves with handles)
3	<a href="#">21-305</a>	Lever Handle Kit (hot & cold handles only)

**Accessories**

Model	Description
<a href="#">21-312</a>	Wrist Blade Handle Kit (includes hot & cold handles)
<a href="#">21-198L</a>	1/2" x 3/8" Braided Supply Hoses
<a href="#">25-150</a>	Thread Sealant Tape
<a href="#">20-302</a>	Replacement Washer Set

**Warranty**



Please visit [krowne.com/warranty](http://krowne.com/warranty) for full terms and conditions regarding the warranty on your new Silver Series product.

Product Description	Warranty Period
Silver Series Plumbing	1 Year

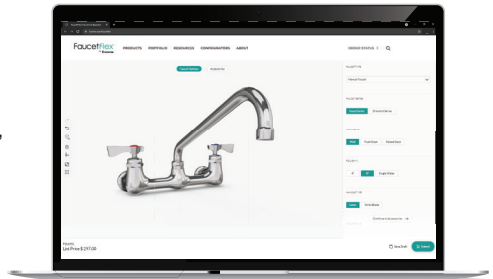
This Standard Warranty and Limitation of Liability (the "Warranty") sets forth the warranty provided by Krowne Metal Corporation (hereinafter "Krowne") with respect to the product purchased by Purchaser (the "Equipment"). By accepting delivery of the Equipment, Purchaser agrees to be bound by and accept these terms and conditions. All defined terms within the Warranty shall have the same meaning and definition as provided elsewhere in the Warranty. Equipment covered by the Warranty shall only be warranted in connection with its original installation only. Krowne will only be obligated to honor the warranty set forth in these terms and conditions upon receipt of full payment for the equipment.

FaucetFlex®  
BY KROWNE



- Effortlessly configure a faucet, pre-rinse and much more
- Instant spec sheet generation
- Instant price generation

[krowne.com/faucetflex](http://krowne.com/faucetflex)



KROWNE®

100 Haul Rd. • Wayne, NJ 07470  
[krowne.com](http://krowne.com)