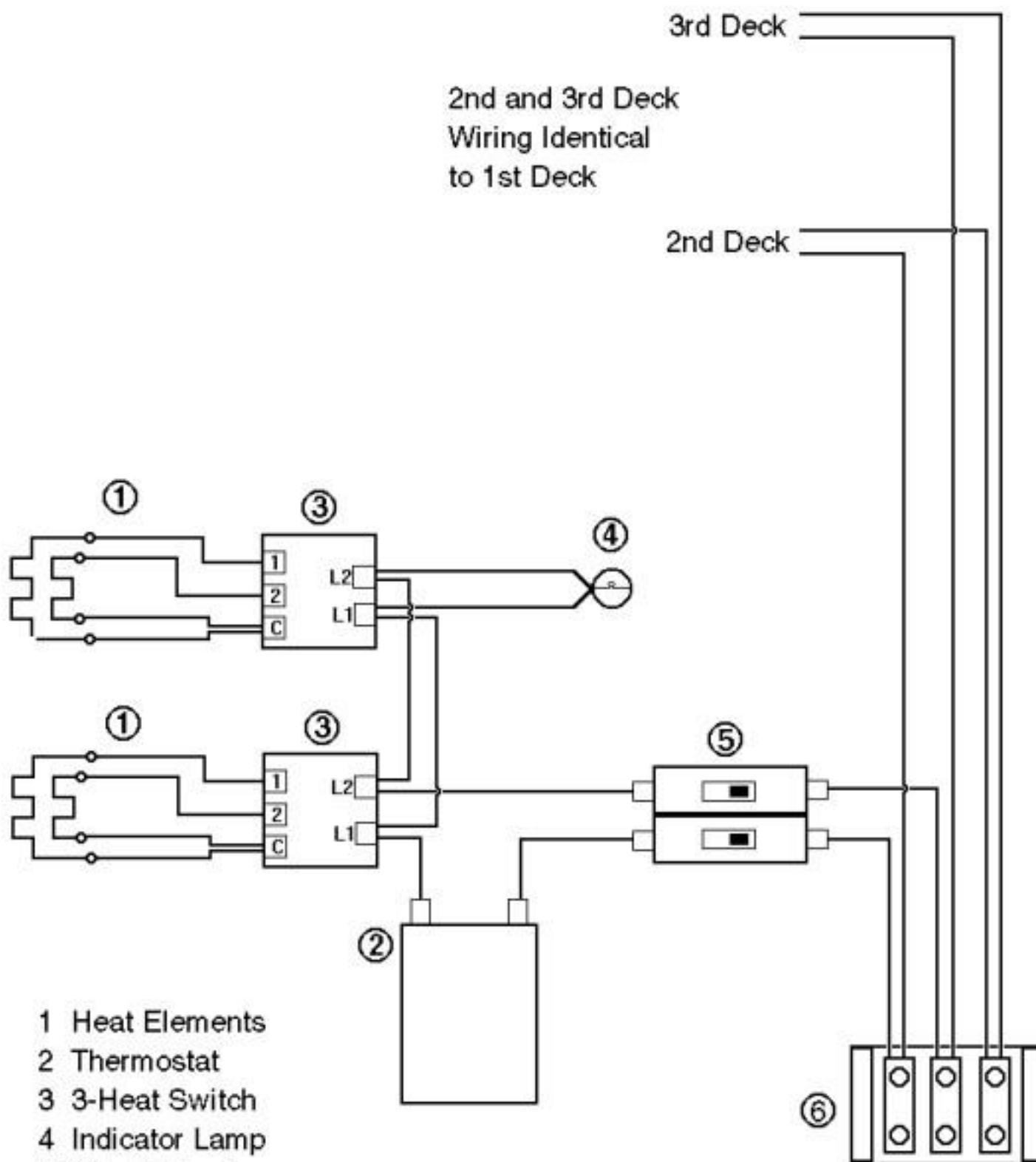


# LA 36 Series Deck Oven Wiring



- 1 Heat Elements
- 2 Thermostat
- 3 3-Heat Switch
- 4 Indicator Lamp
- 5 Circuit Breaker
- 6 Terminal Block