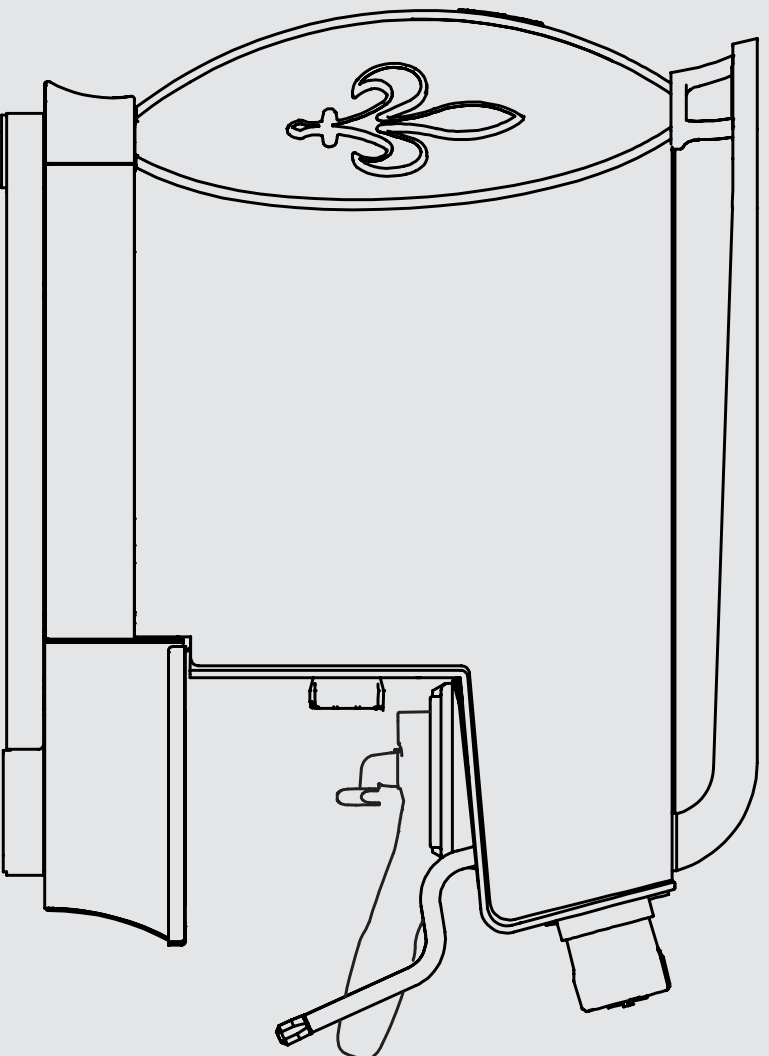


# parts catalog

gbs



V1.0



**la marzocco**  
handmade in florence





**la marzocco**  
handmade in florence

## INDEX

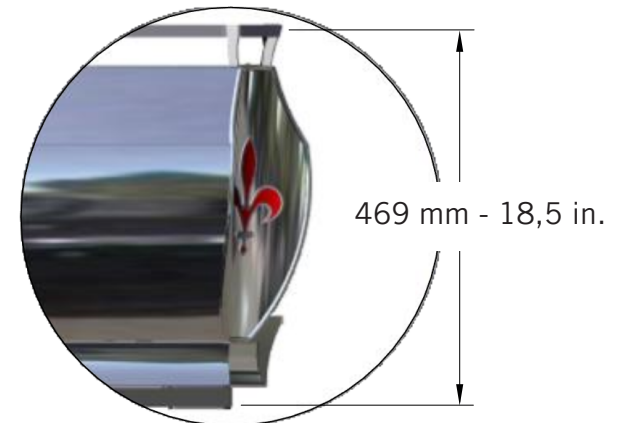
		<b>Pag.</b>	<b>Ver.</b>
Specifications	Caratteristiche Tecniche	4	1.0
Body Panel Assembly	Carrozzeria	6	1.0
Control Panel Assembly	Pannello di Controllo	14	1.0
Steam and Hot Water Wands Assembly	Lancia Vapore e Acqua Calda	16	1.0
Hydraulic Assembly	Impianto Idraulico	20	1.0
Fittings and Valves	Raccordi e Valvole	30	1.0
Coffee Boiler	Caldaia Caffè	32	1.0
Steam Boiler	Caldaia Vapore	42	1.0
Scale Version	Versione con Bilance	46	1.0
Cupwarmer Heating Elements	Resistenze Scaldatazze	52	1.0
Heating Elements	Resistenze Elettriche	54	1.0
Electrical Box	Scatola Elettronica	58	1.0
Electrical System and Pump	Impianto Elettrico e Pompa	60	1.0
Portafilter Assembly	Portafiltri	62	1.0
Hose and Accessories	Tubi e Accessori	68	1.0



la marzocco

handmade in florence

# SPECIFICATIONS





la marzocco

handmade in florence

# SPECIFICATIONS

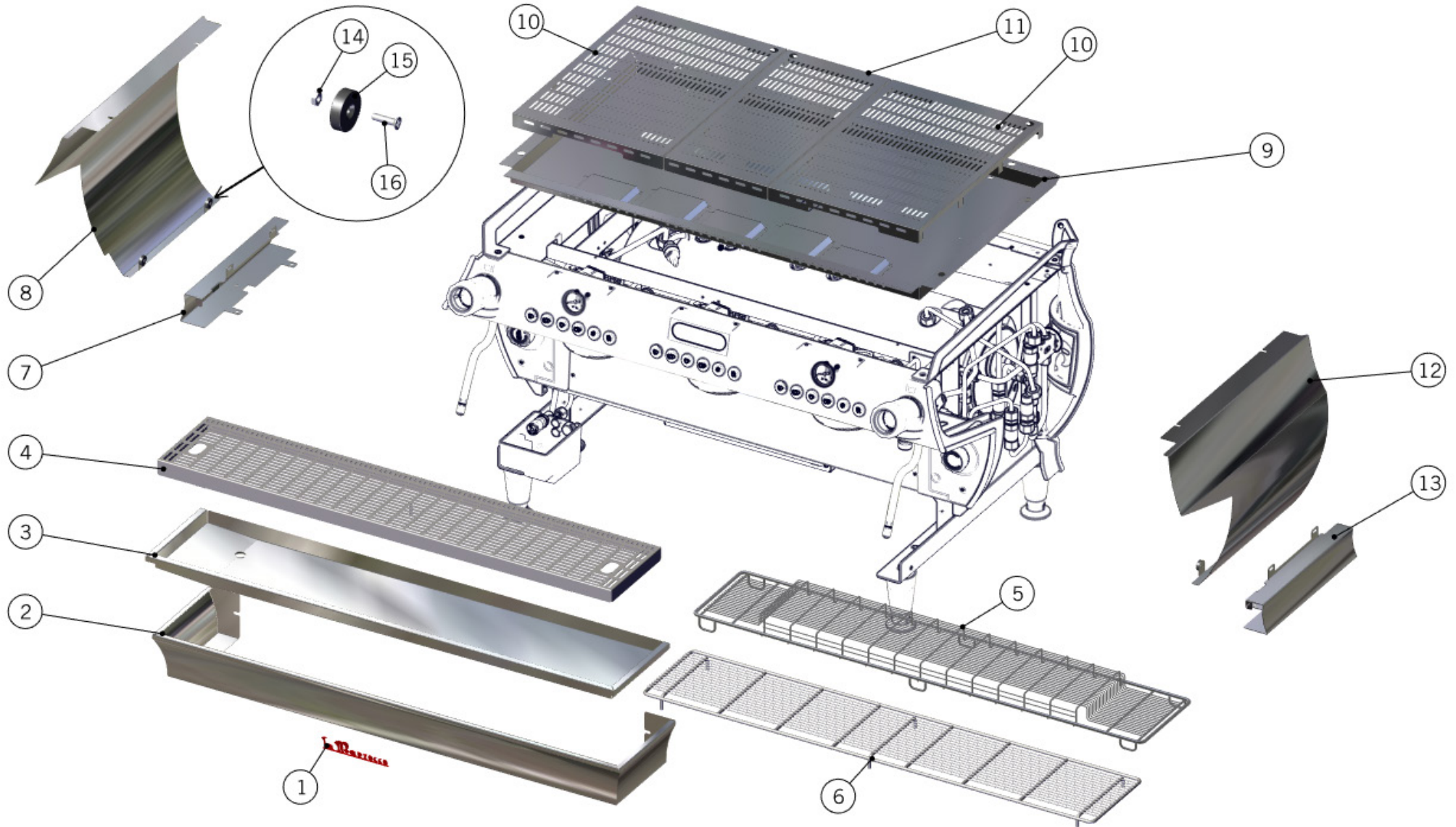
Caratteristiche Tecniche

L	mm	775	975	1215
	in	29	38,5	48
Machine weight	Kg	72 (±5)	88 (±5)	88 (±5)
	lb	156 (±11)	194 (±11)	194 (±11)
Electrical Voltage	VAC	200VAC Single/Three Phase	200VAC Single/Three Phase	200VAC Single/Three Phase
		220VAC Single/Three Phase	220VAC Single/Three Phase	220VAC Single/Three Phase
		380VAC Three Phase	380VAC Three Phase	380VAC Three Phase
Coffee Boiler Wattage	W	2 x 800 (X) 1 x 1400 (S)	3 x 800 (X) 1 x 1900 (S)	2 x 1400
Steam Boiler Wattage	W	3000	4000	5000
Water Pump	W	300	300	300
Cupwarmer	W	280	420	420
Total Wattage	W	5666 (X-220VAC)	7783 (X-220VAC)	8757 (X-220VAC)
		5666 (X-380VAC)	7783 (X-380VAC)	9467 (X-380VAC)
		5445 (S-220VAC)	7238 (S-220VAC)	8763 (S-220VAC)
		5445 (S-380VAC)	7238 (S-380VAC)	9467 (S-380VAC)
Required Available Amperage	A	24,6 (X-220VAC)	33,8 (X-220VAC)	38 (X-220VAC)
		10,3 (X-380VAC)	14,8 (X-380VAC)	16 (X-380VAC)
		23,7 (S-220VAC)	31,5 (S-220VAC)	38 (S-220VAC)
		10,7 (S-380VAC)	14,4 (S-380VAC)	16 (S-380VAC)
		21-24 (X-ETL)	29-33 (X-ETL)	35-40 (X-ETL)
		20-23 (S-ETL)	27-31 (S-ETL)	35-40 (S-ETL)
Coffee Boiler Capacity	liters	2 x 1,5 (X)	3 x 1,5 (X)	2 X 3,4
		1 X 3,4 (S)	1 X 5 (S)	
Steam Boiler Capacity	liters	7,0	11,0	15,0
Total Capacity	liters	9,6 (X)	14,9 (X)	21,8
		10,4 (S)	16 (S)	
<b>Machine configuration</b>		<b>2GR</b>	<b>3GR</b>	<b>4GR</b>



la marzocco  
handmade in florence

# BODY PANEL ASSEMBLY





la marzocco

handmade in florence

# BODY PANEL ASSEMBLY

Carrozzeria

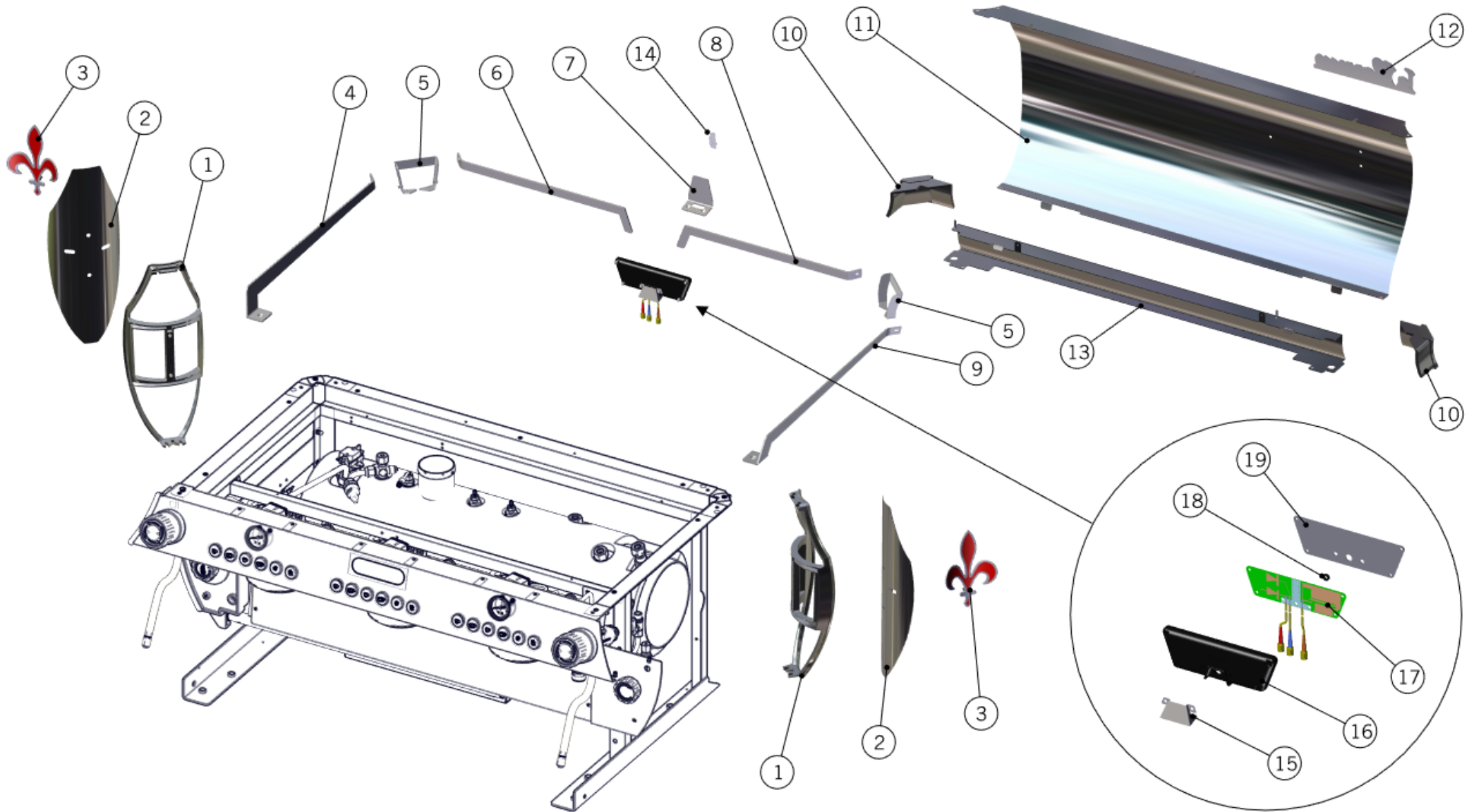
1	D.4.039	LOGO FRONT GB5 S	LOGO FRONTALE GB5 S
	D.4.040	LOGO FRONT GB5 X	LOGO FRONTALE GB5 X
2	C.1.481.2	COVER DRAIN TRAY GB5 X-S 2GR	COPERTURA BACINELLA GB5 X-S 2GR
	C.1.481.3	COVER DRAIN TRAY GB5 X-S 3GR	COPERTURA BACINELLA GB5 X-S 3GR
	C.1.481.4	COVER DRAIN TRAY GB5 X-S 4GR	COPERTURA BACINELLA GB5 X-S 4GR
3	C.1.480.2	DRAIN TRAY GB5 X-S 2GR	BACINELLA GB5 X-S 2GR
	C.1.480.3	DRAIN TRAY GB5 X-S 3GR	BACINELLA GB5 X-S 3GR
	C.1.480.4	DRAIN TRAY GB5 X-S 4GR	BACINELLA GB5 X-S 4GR
4	C.1.482.2	DRAIN GRID GB5 X-S 2GR	GRIGLIA SCARICO GB5 X-S 2GR
	C.1.482.3	DRAIN GRATE GB5 X-S 3GR	GRIGLIA SCARICO GB5 X-S 3GR
	C.1.482.4	DRAIN GRID GB5 X-S 4GR	GRIGLIA SCARICO GB5 X-S 4GR
5	C.1.509.2	WIRE GRID W/STAND 2GR GB5 X-S	GRIGLIA A FILO C/RIALZO 2GR GB5 X-S
	C.1.509.3	WIRE GRID W/STAND 3GR GB5	GRIGLIA A FILO C/RIALZO 3GR GB5
	C.1.509.4	WIRE GRID W/STAND 4GR GB5 X-S	GRIGLIA A FILO C/RIALZO 4GR GB5 X-S
6	C.1.508.2	WIRE GRID 2GR GB5 X-S	GRIGLIA A FILO 2GR GB5 X-S
	C.1.508.3	WIRE GRID 3GR GB5 X-S	GRIGLIA A FILO 3GR GB5 X-S
	C.1.508.4	WIRE GRID 4GR GB5 X-S	GRIGLIA A FILO 4GR GB5 X-S
7	C.1.495.SX	COVER FRAME LOWER LEFT GB5 X-S	CORNICE INFERIORE SX GB5 X-S
8	C.1.506.SX	PANEL LEFT SIDE GB5 X-S	FIANCO SX GB5 X-S
9	C.1.478.2	TRAY CUPWARMER GB5 2GR W/PEM	VASSOIO SCALDATAZZE GB5 2GR C/PEM
	C.1.478.3	TRAY CUPWARMER GB5 3GR W/PEM	VASSOIO SCALDATAZZE GB5 3GR C/PEM
	C.1.478.4	TRAY CUPWARMER GB5 4GR W/PEM	VASSOIO SCALDATAZZE GB5 4GR C/PEM
10	C.1.500	GRID CUPWARMER 290mm GB5 X-S	GRIGLIA SCALDATAZZE 290mm GB5 X-S
11	C.1.499	GRID CUPWARMER 198mm GB5 X-S	GRIGLIA SCALDATAZZE 198mm GB5 X-S
12	C.1.506.DX	PANEL RIGHT SIDE GB5 X-S	FIANCO DX GB5 X-S
13	C.1.495.DX	COVER FRAME LOWER RIGHT GB5 X-S	CORNICE INFERIORE DX GB5 X-S
14	<a href="#">DADOINOXM3</a>	NUT M3 H2 WR5,5 S/S A2	DADO M3 H2 CH5,5 INOX A2
15	F.9.004.01	MAGNET D18 H5 W/HOLE 4,3 kgf TEFLONED	MAGNETE D18 H5 C/FORO 4,3 kgf TEFLONATO
16	<a href="#">I.1.045</a>	SCREW M3X12 PHILLIPS COUNTERSUNK S/S A2	VITE M3X12 TS A CROCE INOX A2
<b>Item</b>	<b>Part number/Codice</b>	<b>Description</b>	<b>Descrizione</b>



la marzocco

handmade in florence

# BODY PANEL ASSEMBLY





la marzocco

handmade in florence

# BODY PANEL ASSEMBLY

Carrozzeria

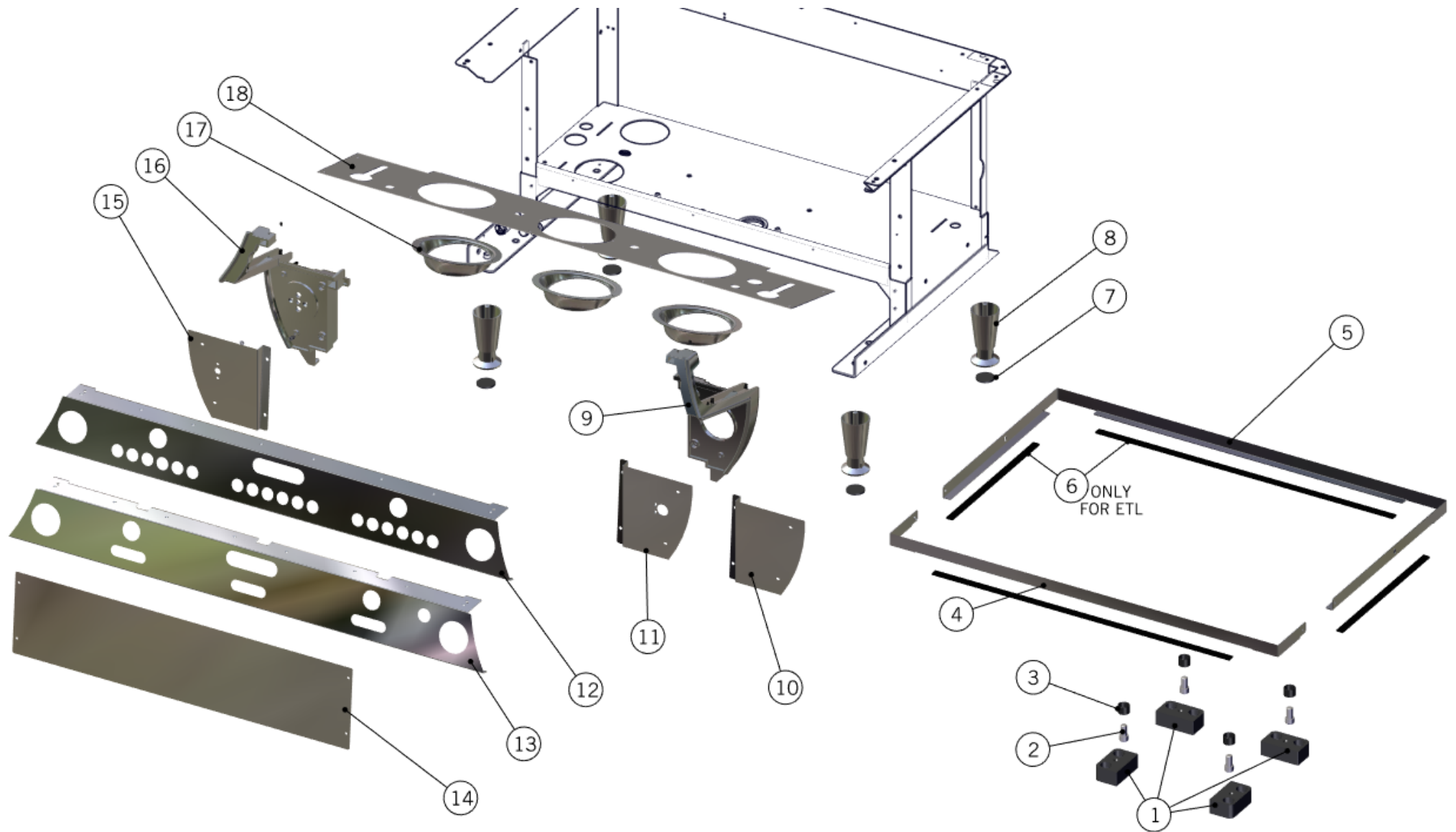
1	C.2.051	SUPPORTO PER SCUDO GB5 X-S	SUPPORTO PER SCUDO GB5 X-S
2	C.1.504	SHIELD GB5 X-S	SCUDO GB5 X-S
3	D.4.035	LILY GB5 S	GIGLIO GB5 S
	D.4.036	LILY GB5 X	GIGLIO GB5 X
4	C.1.496.SX	RAIL LEFT GB5 X-S	RINGHIERA SX GB5 X-S
5	C.1.497	CORNER UP GB5 X-S	ANGOLARE SUPERIORE GB5 X-S
6	C.1.538.2.SX	RAILING LEFT SIDE GB5 X-S 2GR	CORNICE TAZZE LATO SINISTRO GB5 X-S 2GR
	C.1.538.3.SX	RAILING LEFT SIDE GB5 X-S 3GR	CORNICE TAZZE LATO SINISTRO GB5 X-S 3GR
	C.1.538.4.SX	RAILING LEFT SIDE GB5 X-S 4GR	CORNICE TAZZE LATO SINISTRO GB5 X-S 4GR
7	C.1.536	CENTRAL BRACKET RAIL GB5 X-S	STAFFA CENTRALE RINGHIERA GB5 X-S
8	C.1.538.2.DX	RAILING RIGHT SIDE GB5 X-S 2GR	CORNICE TAZZE LATO DESTRO GB5 X-S 2GR
	C.1.538.3.DX	RAILING RIGHT SIDE GB5 X-S 3GR	CORNICE TAZZE LATO DESTRO GB5 X-S 3GR
	C.1.538.4.DX	RAILING RIGHT SIDE GB5 X-S 4GR	CORNICE TAZZE LATO DESTRO GB5 X-S 4GR
9	C.1.496.DX	RAIL RIGHT GB5 X-S	RINGHIERA DX GB5 X-S
10	C.2.052	ANGOLARE BASSO GB5 X-S	ANGOLARE BASSO GB5 X-S
11	C.1.505.2	PANEL BACK GB5 X-S 2GR	PANNELLO POSTERIORE GB5 X-S 2GR
	C.1.505.3	PANEL BACK GB5 X-S 3GR	PANNELLO POSTERIORE GB5 X-S 3GR
	C.1.505.4	PANEL BACK GB5 X-S 4GR	PANNELLO POSTERIORE GB5 X-S 4GR
12	D.4.037	LOGO REAR GB5 S	LOGO POSTERIORE GB5 S
	D.4.038	LOGO REAR GB5 X	LOGO POSTERIORE GB5 X
13	C.1.479.2	COVER FRAME LOWER REAR GB5 X-S 2GR	CORNICE INFERIORE POSTERIORE GB5 X-S 2GR
	C.1.479.3	COVER FRAME LOWER REAR GB5 X-S 3GR	CORNICE INFERIORE POSTERIORE GB5 X-S 3GR
	C.1.479.4	COVER FRAME LOWER REAR GB5 X-S 4GR	CORNICE INFERIORE POSTERIORE GB5 X-S 4GR
14	D.3.036	LOGO LION ADHESIVE	LOGO LEONE ADESIVO
15	C.1.537	COVER ESTHETIC ANTENNA CABLE	COPERTURA ESTETICA CAVI ANTENNA
16	E.8.005	COVER ANTENNA GATEWAY	COVER ANTENNA GATEWAY
17	E.8.004	ANTENNA IOT	ANTENNA IOT
18	I.6.017	WASHER BLAKC PC 4.7X8X3	RONDELLA PC NERO 4.7X8X3
19	E.8.007	COVER BACK ANTENNA GATEWAY	COVER POSTERIORE ANTENNA GATEWAY
<b>Item</b>	<b>Part number/Codice</b>	<b>Description</b>	<b>Descrizione</b>



la marzocco

handmade in florence

# BODY PANEL ASSEMBLY





la marzocco

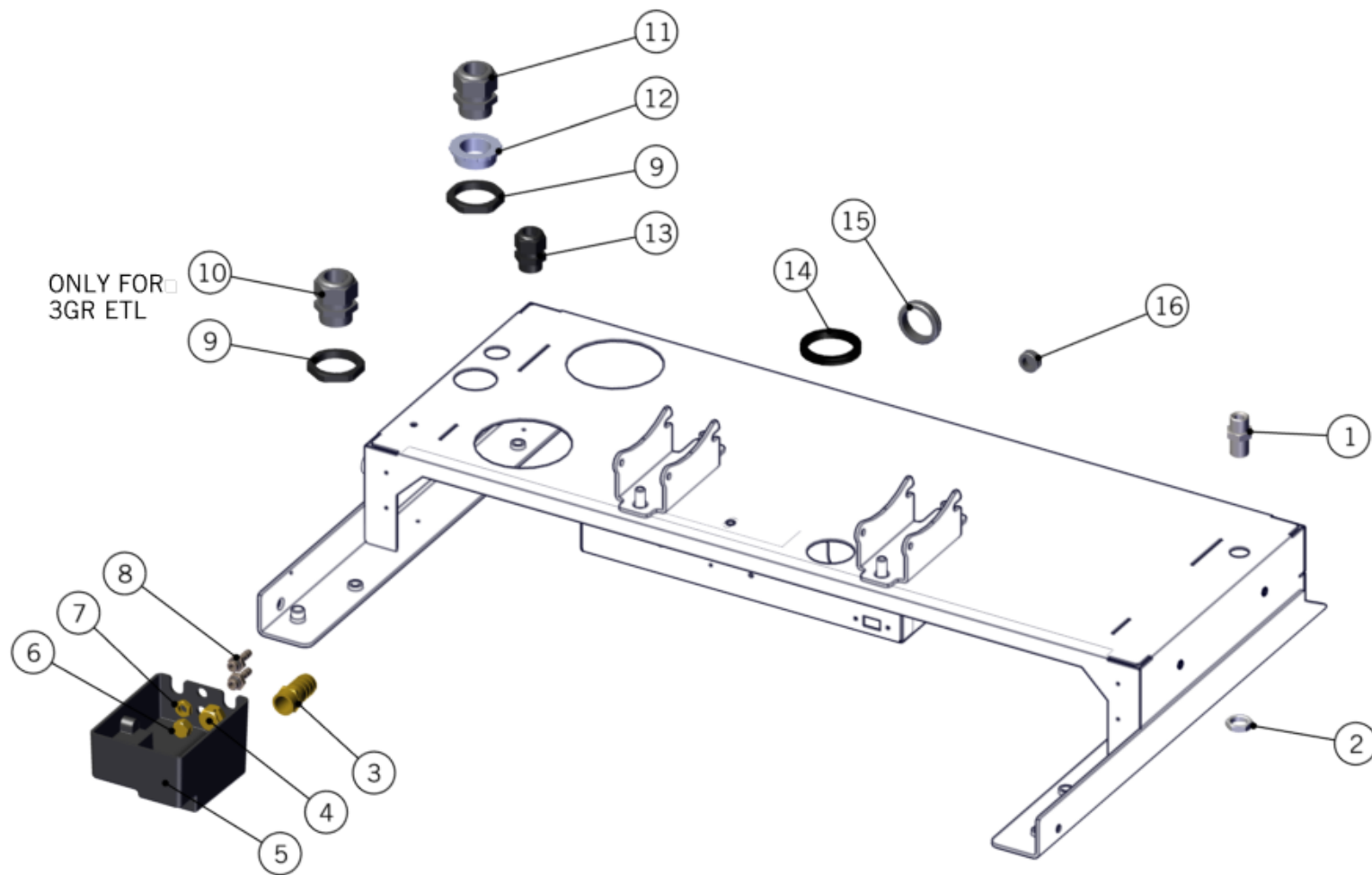
handmade in florence

# BODY PANEL ASSEMBLY

Carrozzeria

1	CL001.01	RUBBER FOOT LEFT/RIGHT	ZOCCOLINO IN GOMMA DX/SX
2	I.1.090	SCREW M10X20 SOCKET CAP S/S A2	VITE M10X20 TC A BRUGOLA INOX
3	F.1.005	PVC FOOT SUPPORTS DM.21 GB5	SUPPORTI PIEDINI PVC DM.21 GB5
4	C.1.476.2	COVER FRONT NSF GB5 X-S 2GR	LAMIERA ANTERIORE NSF GB5 X-S 2GR
	C.1.476.3	COVER FRONT NSF GB5 X-S 3GR	LAMIERA ANTERIORE NSF GB5 X-S 3GR
	C.1.476.4	COVER FRONT NSF GB5 X-S 4GR	LAMIERA ANTERIORE NSF GB5 X-S 4GR
5	C.1.477.2	COVER BACK NSF GB5 X-S 2GR	LAMIERA POSTERIORE NSF GB5 X-S 2GR
	C.1.477.3	COVER BACK NSF GB5 X-S 3GR	LAMIERA POSTERIORE NSF GB5 X-S 3GR
	C.1.477.4	COVER BACK NSF GB5 X-S 4GR	LAMIERA POSTERIORE NSF GB5 X-S 4GR
6	H.3.009	GASKET TAPE 3,2X12,7 BLACK NEOPRENE NSF	GUARN. A NASTRO 3,2X12,7 NEOPRENE NSF
7	CL001/1G	HIGH LEG RUBBER PAD	GOMMINI PER GAMBE ALTE
8	CL001/1G.R	HIGH LEG + RUBBER PAD	GAMBE ALTE + GOMMINI
9	C.2.050.DX	SUPPORTO PANNELLO DX GB5 X-S	SUPPORTO PANNELLO DX GB5 X-S
10	C.1.498.DX	PANEL LOWER RIGHT GB5 S	PANNELLO INFERIORE DESTRO GB5 S
11	C.1.494.DX	PANEL LOWER RIGHT GB5 X-S	PANNELLO INFERIORE DESTRO GB5 X-S
12	C.1.487.2	PANEL FRONT CONTROL GB5 X-S 2GR AV	PANNELLO FRONT. CONTROLLO GB5 X-S 2GR AV
	C.1.487.3	PANEL FRONT CONTROL GB5 X-S 3GR AV	PANNELLO FRONT. CONTROLLO GB5 X-S 3GR AV
	C.1.487.4	PANEL FRONT CONTROL GB5 X-S 4GR AV	PANNELLO FRONT. CONTROLLO GB5 X-S 4GR AV
13	C.1.488.2	PANEL FRONT CONTROL GB5 2GR EE	PANNELLO FRONTALE CONTROLLO GB5 2GR EE
	C.1.488.3	PANEL FRONT CONTROL GB5 3GR EE	PANNELLO FRONTALE CONTROLLO GB5 3GR EE
	C.1.488.4	PANEL FRONT CONTROL GB5 4GR EE	PANNELLO FRONTALE CONTROLLO GB5 4GR EE
14	C.1.485.2	PANNEL LOWER FRONT GBR 2GR	PANNELLO FRONTALE INFERIORE GB5 X-S 2GR
	C.1.485.3	PANNEL LOWER FRONT GB5 X-S 3GR	PANNELLO FRONTALE INFERIORE GB5 X-S 3GR
	C.1.485.4	PANNEL LOWER FRONT GB5 X-S 4GR	PANNELLO FRONTALE INFERIORE GB5 X-S 4GR
15	C.1.494.SX	PANEL LOWER LEFT GB5 X-S	PANNELLO INFERIORE SINISTRO GB5 X-S
16	C.2.050.SX	SUPPORTO PANNELLO SX GB5 X-S	SUPPORTO PANNELLO SX GB5 X-S
17	C.1.470	GROUP COVER GB5 X-S	COPERTURA GRUPPI GB5 X-S
18	C.1.489.2	PANEL COVER GROUPS 2GR GB5 X-S	PANNELLO COPERTURA GRUPPI 2GR GB5 X-S
	C.1.489.3	PANEL COVER GROUPS 3GR GB5 X-S	PANNELLO COPERTURA GRUPPI 3GR GB5 X-S
	C.1.489.4	PANEL COVER GROUPS 4GR GB5 X-S	PANNELLO COPERTURA GRUPPI 4GR GB5 X-S
Item	Part number/Codice	Description	Descrizione

# BODY PANEL ASSEMBLY





la marzocco

handmade in florence

# BODY PANEL ASSEMBLY

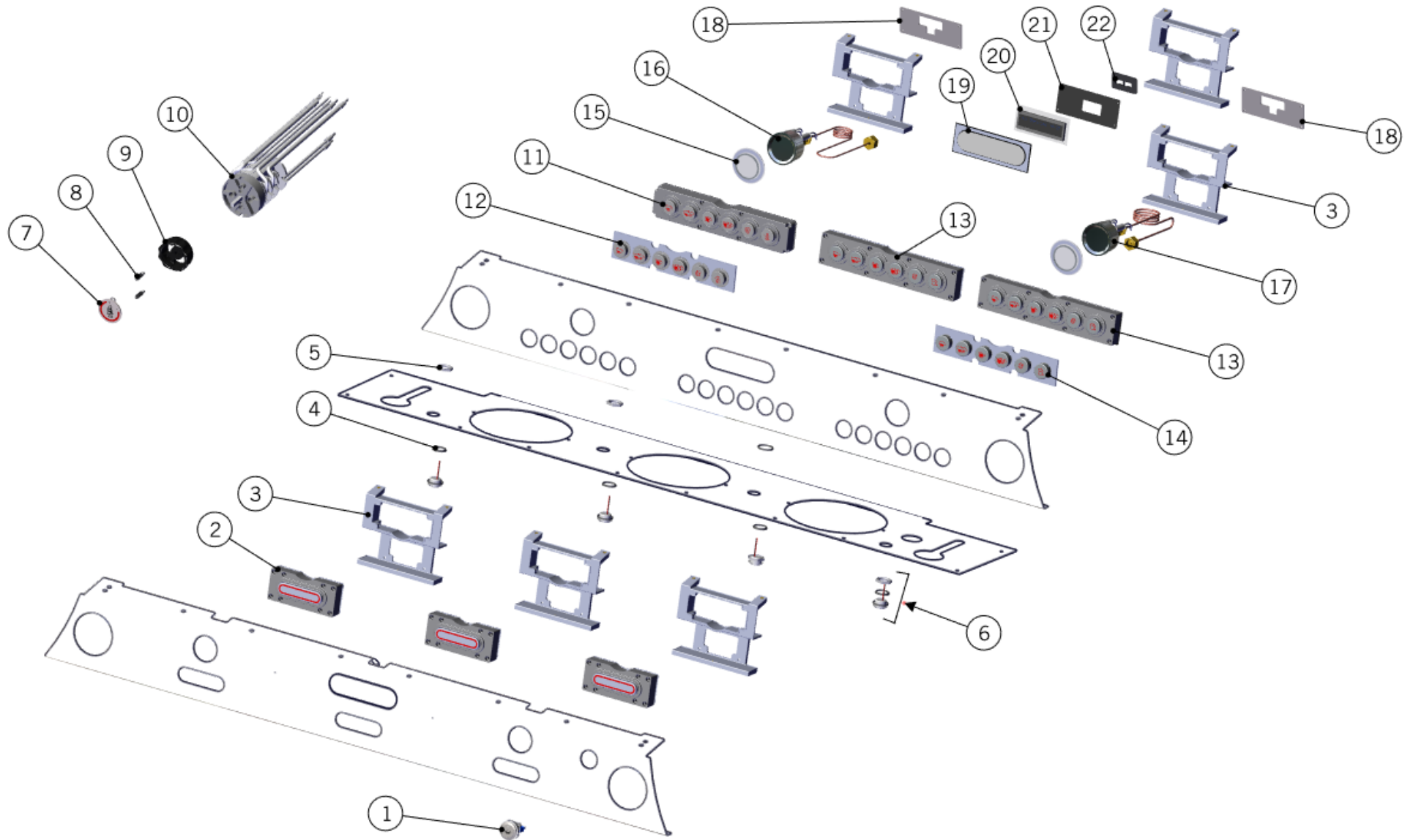
Carrozzeria

1	<a href="#">A.5.020</a>	NIPPLE G3/8M-G3/8M WR21 H38 BRASS TR.	NIPPLO G3/8M-G3/8M CH21 H38 OTT. TR.
2	<a href="#">L183/1.01</a>	NUT G3/8 H6 CH21 BRASS TREATED	DADO G3/8 H6 CH21 OTTONE TRATTATO
3	<a href="#">L037/2PGR</a>	HOSE HOLDER WITH 20 MM. HOLE	PORTAGOMMA DM.MM 20 ES.22
4	<a href="#">L037/3R</a>	BREAK-DRAIN FOR SOLENOID VALVE	ROMPIGETTO ES.19 MM.
5	F.1.153	DRAIN BOX GB5 X-S	POZZETTO DI SCARICO GB5 X-S
6	<a href="#">A.1.020</a>	G1/8" BRASS BREAK FITTING	ROMPIGETTO 1/8 CH14
7	<a href="#">L292/R</a>	NUT G1/8 H4,5 WR14 BRASS NICKEL PLATED	DADO G1/8 H4,5 CH14 OT.NICH.(PORTAGOMMA)
8	<a href="#">L292</a>	GS/3 TUBE FITTING	PORTAGOMMA GS/3
9	<a href="#">I.6.008</a>	NUT CORD GRIPS PG29	DADO PRESSACAVO PG29
10	<a href="#">E.4.130</a>	CORD GRIPS PG29 W/NUT	PRESSACAVO PG29 C/GHIERA
11	<a href="#">L322/G</a>	CORD GRIPS PG21	PRESSACAVO PG21
12	<a href="#">F.1.097</a>	REDUCER CORD GRIPS PG29	RIDUTTORE PRESSACAVO PG29
13	<a href="#">L322/P</a>	CORD GRIPS PG13,5	PRESSACAVO PG13,5
14	<a href="#">F.2.027</a>	CABLE GROMMET 41.3x53.3/44,4 MM	PASSACAVO GOMMA 41.3x53.3/44,4 MM
15	F.2.002	GROMMET 30-35X1,5 NEOPRENE	PASSACAVO 30-35X1,5 NEOPRENE
<b>Item</b>	<b>Part number/Codice</b>	<b>Description</b>	<b>Descrizione</b>



**la marzocco**  
handmade in florence

# CONTROL PANEL ASSEMBLY





la marzocco

handmade in florence

# CONTROL PANEL ASSEMBLY

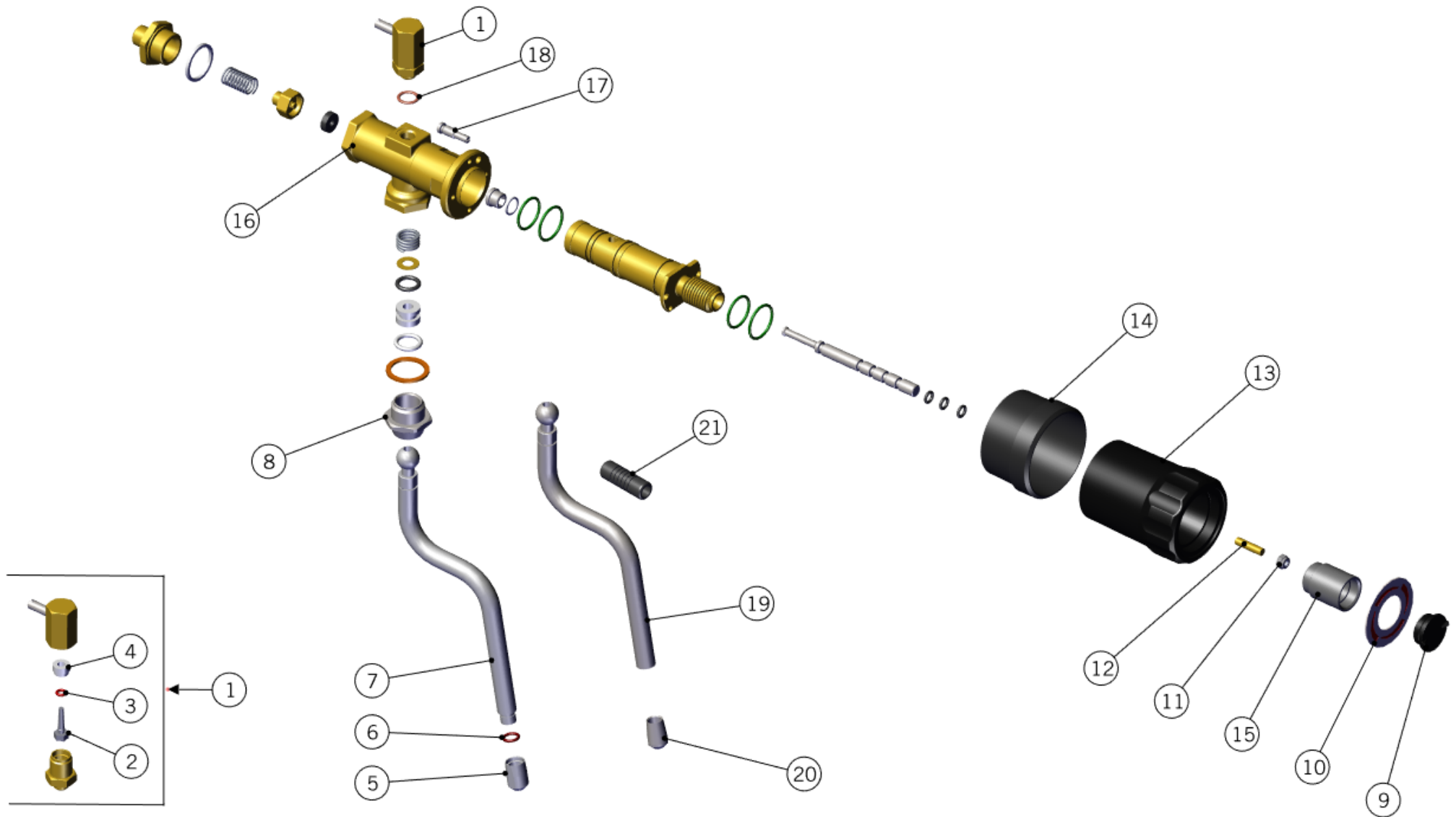
Pannello di Controllo

1	<a href="#">E.2.051.R</a>	SWITCH HOT WATER W/WHITE LED WITH RISER	TASTO TE' C/LED BIANCO CON BOCCOLA
2	E.1.062	KEYPAD GB5 EE	PULSANTIERA GB5 EE
3	F.1.156	SUPPORTO PULSANTIERA GB5 X-S	SUPPORTO PULSANTIERA GB5 X-S
4	<a href="#">F.1.049</a>	SPACER LED LIGHT	BOCCOLA LUCI LED
5	<a href="#">F.1.050</a>	WASHER LED LIGHT	RONDELLA LUCI LED
6	E.4.023.02.R	WHITE LED 16MM W/CONNECTOR + KIT WASHER	LED 16MM BIANCO C/CONNETTORE + KIT ROND.
7	<a href="#">D.4.033</a>	COVER SWITCH KB90	COPERTURA INTERRUTTORE KB90
8	<a href="#">I.6.015</a>	THREADED STANDOFF M4 H10 NYLON BLACK	DISTANZIALE FILETTATO M4 H10 NYLON NERO
9	<a href="#">F.1.139</a>	HANDLE SWITCH KB90	MANOPOLA INTERRUTTORE KB90
10	<a href="#">E.2.049</a>	BIPOLAR SWITCH 32A W/CABLES W/FASTON	INTERRUTTORE BIPOLARE 32A+CAVI C/FASTON
	E.2.050.01	TRIPOLAR SWITCH 17A W/CABLES W/FASTON	INTERRUTTORE TRIPOLARE 17A+CAVI C/FASTON
	E.2.067	TRIPOLAR SWITCH 32A W/CABLES W/FASTON	INTERRUTTORE TRIPOLARE 32A+CAVI C/FASTON
11	E.2.079	KEYPAD PROGRAM. GB5 S ON OFF	PULSANTIERA PROG. GB5 S ON OFF
	E.2.088	KEYPAD PROGRAM. GB5 X ON OFF	PULSANTIERA PROG. GB5 X ON OFF
12	E.1.075	MEMBRANE W/BUTTONS KEYP. E.2.088 E.2.079	MEMBRANA C/TASTI PULS. E.2.088 E.2.079
13	E.2.080	KEYPAD PROGRAM. GB5 S HOT WATER	PULSANTIERA PROG. GB5 S ACQUA CALDA
	E.2.089	KEYPAD PROGRAM. GB5 X HOT WATER	PULSANTIERA PROG. GB5 X ACQUA CALDA
14	E.1.074	MEMBRANE W/BUTTONS KEYP. E.2.089 E.2.080	MEMBRANA C/TASTI PULS. E.2.089 E.2.080
15	F.1.185.R	GLASS DISPLAY W/ CROWN PRESS. GAUGE GB5R	VETRINO CON CORONA MANOMETRO GB5R
16	E.3.026	PRESS.GAUGE 0-3 BLACK W/CAPILLARY	MANOMETRO 0-3 NERO C/CAPILLARE
	E.3.028	PRESS.GAUGE 0-3 WHITE W/CAPILLARY	MANOMETRO 0-3 BIANCO C/CAPILLARE
17	E.3.025	PRESS.GAUGE 0-18 BLACK W/CAPILLARY	MANOMETRO 0-18 NERO C/CAPILLARE
	E.3.027	PRESS.GAUGE 0-18 WHITE W/CAPILLARY	MANOMETRO 0-18 BIANCO C/CAPILLARE
18	C.1.526	OMEGA FIXING PRESS. GAUGE GB5 X-S	OMEGA FISSAGIO MANOMETRO GB5 X-S
19	F.1.125	GLASS DISPLAY OLED GB5 X-S	VETRINO DISPLAY OLED GB5 X-S
20	<a href="#">E.1.024</a>	DISPLAY OLED RED LINEA PB	DISPLAY OLED ROSSO LINEA PB
	<a href="#">E.1.035</a>	DISPLAY OLED WHITE STRADA AV	DISPLAY OLED BIANCO STRADA AV
21	<a href="#">F.1.041</a>	LINEA PB DISPLAY BACK COVER	COPERCHIO RETRO SCATOLA DISPLAY LINEA PB
22	H.3.016	SEALING REAR COVER DISPLAY	GUARNIZIONE COPERCHIO POSTERIORE DISPLAY
<b>Item</b>	<b>Part number/Codice</b>	<b>Description</b>	<b>Descrizione</b>



**la marzocco**  
handmade in florence

# STEAM AND HOT WATER ASSEMBLY





la marzocco

handmade in florence

# STEAM AND HOT WATER ASSEMBLY

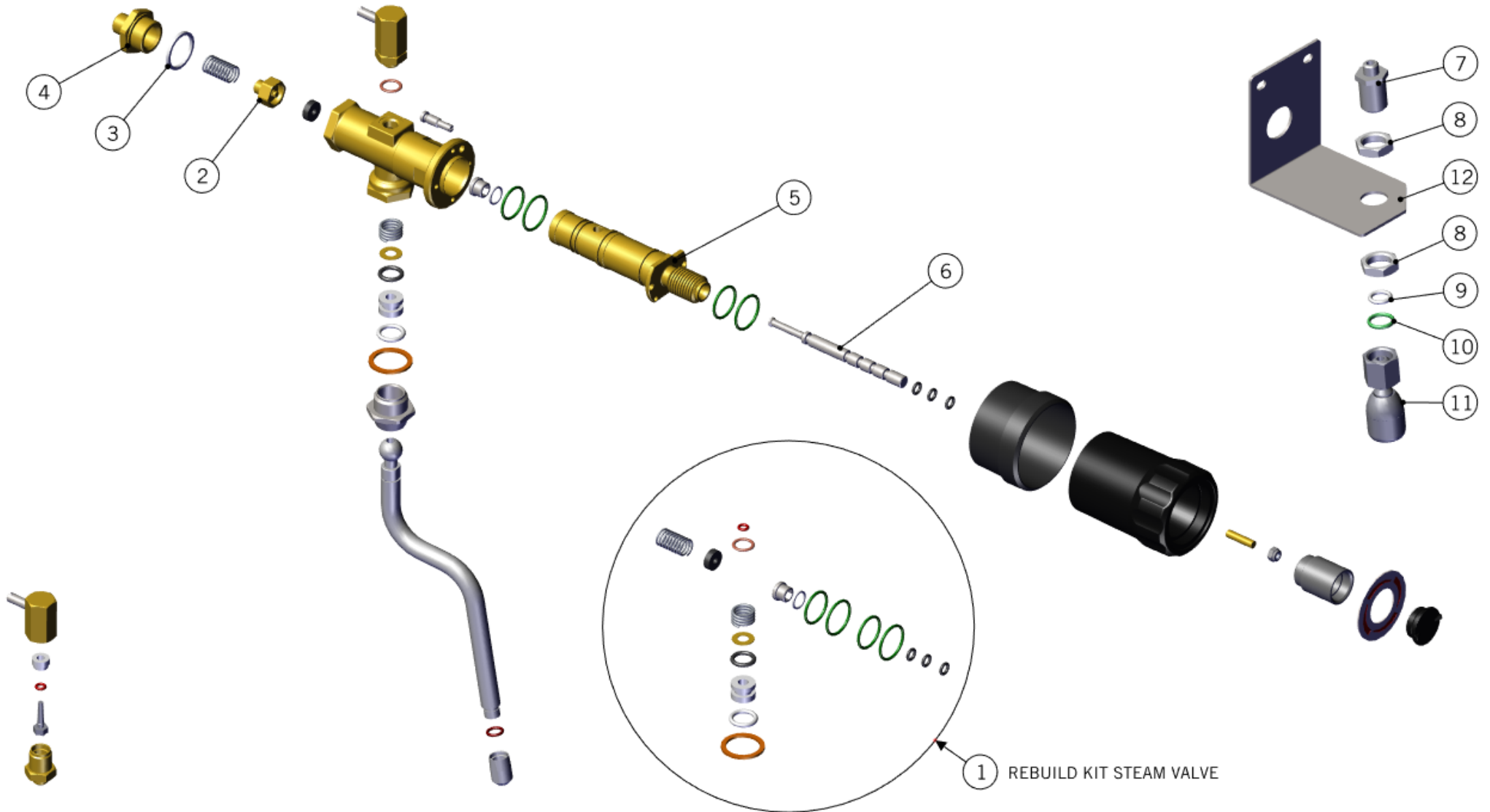
## Lancia - Rubinetto Vapore

1	L192.02	VACUUM BREAKER VALVE G1/8M TREATED	VALVOLA ANTI-DEPRESSIONE G1/8M TRATTATA
2	B.2.013.01	ANTI-SUCTION VALVE SHAFT TREATED	ALBERINO V. ANTIRISUCCHIO TRATTATA
3	<a href="#">F.2.019</a>	O-RING 1,78X3,68 SILICONE 70 SH	O-RING 1,78X3,68 SILICONE 70 SH
4	<a href="#">B.3.001</a>	BUSHING FLANGED 5X9X6,5 PTFE	BOCCOLA FLANGIATA 5X9X6,5 PTFE
5	<a href="#">A.5.050</a>	STEAM TIP PRO TOUCH D1,5	SPRUZZATORE VAPORE PRO TOUCH D1,5
6	<a href="#">H.1.027</a>	O-RING 1,78X7,65 VITON 70 SH	O-RING 1,78X7,65 VITON 70 SH
7	T.2.017	STEAM WAND PERFORMANCE TOUCH GB5	LANCIA VAPORE PERFORM. TOUCH GB5 TRATT.
8	<a href="#">A.5.121</a>	CONNECTOR G1/2 INOX	RACCORDO G1/2 ES27L23 INOX ATT.LAN.
9	<a href="#">F.1.140</a>	CAP KNOB STEAM KB90	TAPPO MANOPOLA VAPORE KB90
10	<a href="#">D.4.032</a>	STEAM VALVE KNOB COVER KB90	PLACCHETTA MANOPOLA VAPORE KB90
	D.4.041	STEAM VALVE KNOB COVER GB5 X	PLACCHETTA MANOPOLA VAPORE GB5 X
11	I.3.016	SELF LOCK NUT M5 H5 WR8 GALVANIZED	DADO AUTOBLOCCANTE M5 H5 CH8 ZINCATO
12	I.4.005	SOCKET GRUB SCREW M5X20 BRASS DIN913	GRANO M5X20 A BRUGOLA OTTONE DIN913
13	F.1.168	STEAM VALVE KNOB GB5 X-S	MANOPOLA RUBINETTO VAPORE GB5 X-S
14	F.1.169	COVER STEAM KNOB GB5 X-S	COPERTURA MANOPOLA VAPORE GB5 X-S
15	F.1.181	SPACER STEAM KNOB GB5 X-S	DISTANZIALE MANOPOLA VAPORE GB5 X-S
16	<a href="#">A.2.119</a>	STEAM VALVE BODY FRONTALLY DISMISSABLE	CORPO RUBINETTO SMONT. FRONTALM.
17	<a href="#">I.1.135</a>	SCREW BLOCK STEAM V. WITH FRONT ACCESS	VITE BLOCCO RUB.V. SMONTABILE FRONT.
18	<a href="#">B.1.001.TR</a>	SPECIAL WASHER 10X14X1,6 COPPER	RONDELLA SPECIALE 10X14X1,6 RAME
19	T.2.014	STEAM WAND S/S GB5 X-S	LANCIA VAPORE INOX GB5 X-S
20	<a href="#">L173</a>	STEAM TIP D1,5	SPRUZZATORE VAPORE D1,5
21	<a href="#">L171/G</a>	STEAM WAND RUBBER	GOMMINO ANTISCOTTAT. TUBO VAP.
<b>Item</b>	<b>Part number/Codice</b>	<b>Description</b>	<b>Descrizione</b>



**la marzocco**  
handmade in florence

# STEAM AND HOT WATER ASSEMBLY





la marzocco

handmade in florence

## STEAM AND HOT WATER ASSEMBLY

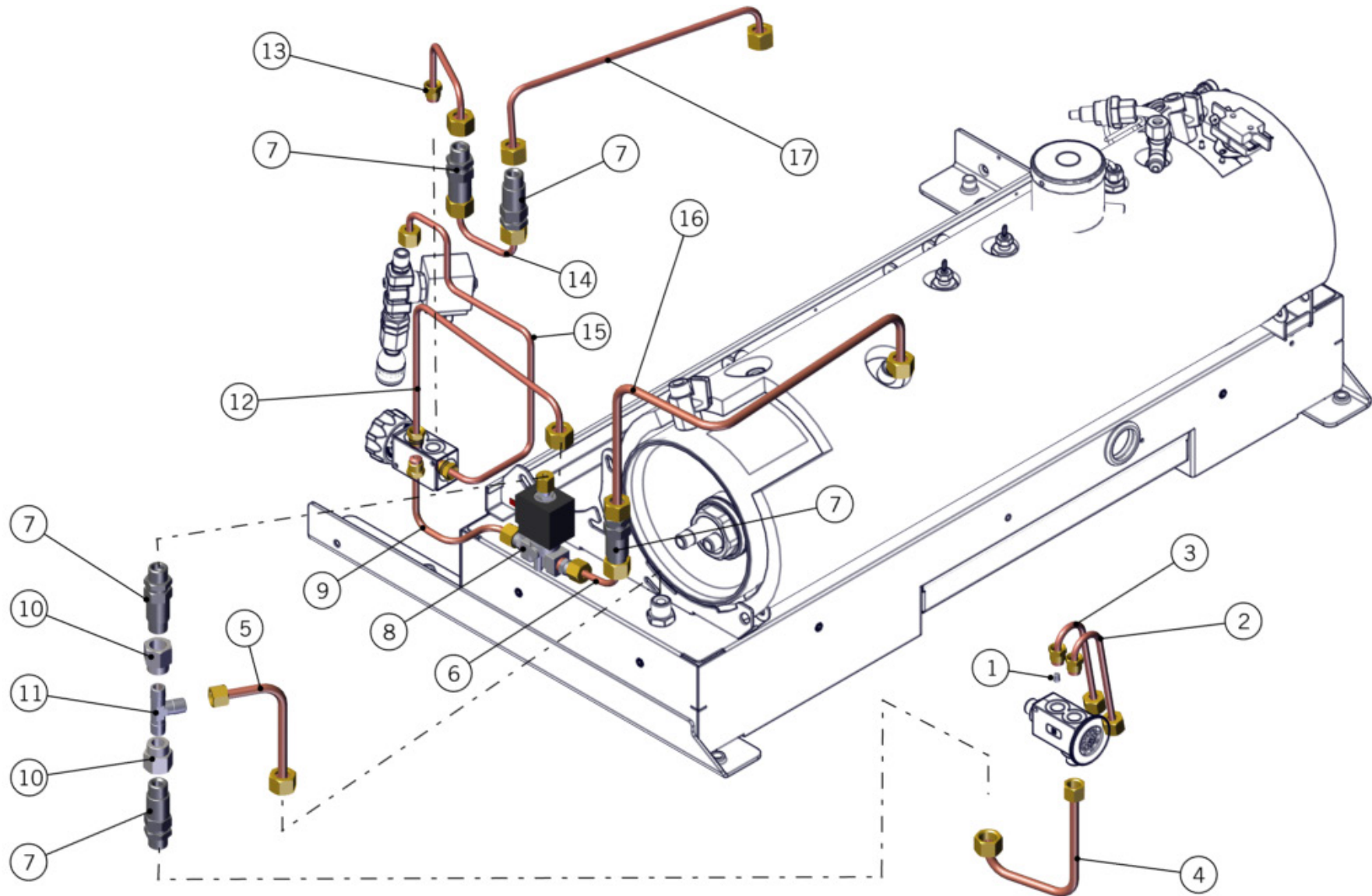
Lancia - Rubinetto Vapore	1	1206	REBUILT KIT STEAM VALVE KB90	KIT MANUTENZIONE RUBINETTO VAPORE KB90
	2	<a href="#">A.2.117</a>	VALVE E16 H15 KB90 STEAM VALVE	VALVOLA PORTA-GUAR.E16 H15 RUV.PL
	3	<a href="#">A.7.016</a>	GASKET PTFE 25X21,2X2	GUARNIZIONE PTFE 25X21,2X2
	4	<a href="#">A.2.116</a>	REAR TUBE CONNECTOR KB90 VALVE	RACCORDO INGR.RUB.ES27 L30 RUV.PLUS
	5	<a href="#">A.2.118</a>	INSERT CONNECTOR D37	RACCORDO INSERTO D37 <a href="#">L113</a> ,3 RUV.PL.
	6	<a href="#">A.5.120</a>	STEAM VALVE S/S LEVER KB90	ASTA INOX316L D8 L104
	7	<a href="#">L053/2.01</a>	FITTING G3/8M-G1/8M H31,5 TR.	RACCORDO G3/8M-G1/8M H31,5 TR.
	8	<a href="#">L183/1.01</a>	NUT G3/8 H6 CH21 BRASS TREATED	DADO G3/8 H6 CH21 OTTONE TRATTATO
	9	<a href="#">L169/A1</a>	PTFE GASKET 10x2,5	GUARNIZIONE TEFLON FA 112
	10	<a href="#">H.1.003</a>	O-RING 2,62X13,11 FKM 70 SH	O-RING 2,62X13,11 FKM 70 SH
	11	L160.02	HOT WATER WAND S/S G3/8F W/DIFFUSER	LANCIA TE INOX G3/8F C/DIFFUSORE
	12	C.1.501	BRACKET HOT WATER GB5 X-S	STAFFA ACQUA CALDA GB5 X-S
Item	Part number/Codice		Description	Descrizione



la marzocco

handmade in florence

# HYDRAULIC ASSEMBLY - X VERSION





la marzocco

handmade in florence

## HYDRAULIC ASSEMBLY - X VERSION

Impianto Idraulico

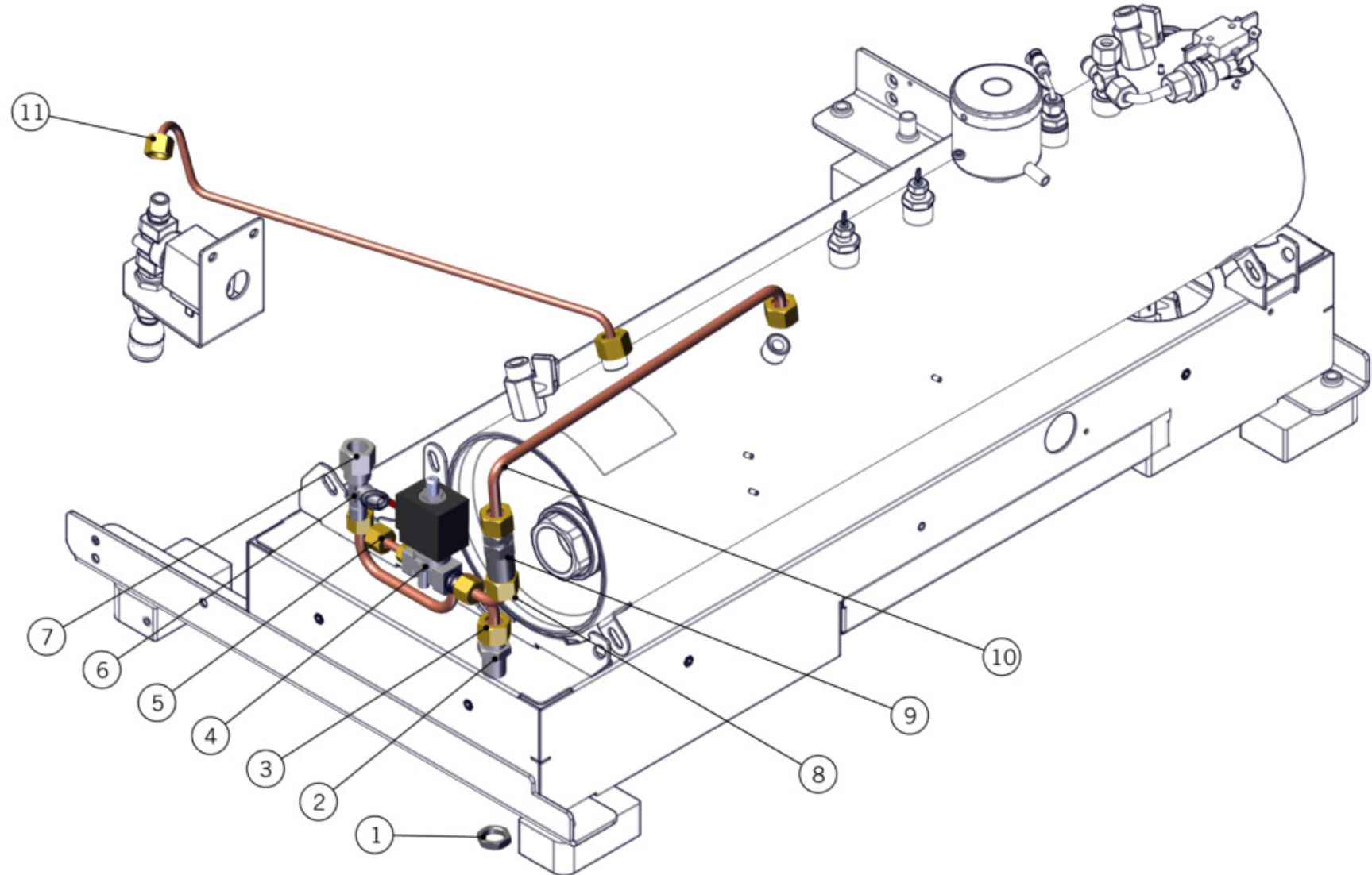
1	B.2.011.01	GICLEUR 1,5 M5 CH5 BRASS TREATED	GICLEUR 1,5 M5 CH5 OTTONE TRATTATO
2	<a href="#">T.1.107</a>	TUBE PRE-HEATER - MIXING VALVE STRADA	TUBO PRERISC. - V. MISC. STRADA
3	<a href="#">T.1.106</a>	TUBE MIXING VALVE - PRE-HEATER STRADA	TUBO V.MISC. - PRERISC. STRADA
4	T.1.266	TUBE CHECK V. - COFFEE MIXING V. GB5 X-S	TUBO V.RITEGNO - V.MISC. CAFFE' GB5 X-S
5	T.1.263	TUBE WATER INLET GB5 X	TUBO INGRESSO ACQUA GB5 X
6	<a href="#">T.1.117</a>	TUBE AUTOFILL SOLENOID V. - CHECK VALVE	TUBO EV. RIEMP. - VALVOLA DI RITEGNO
7	<a href="#">LO32/P.01</a>	CHECK VALVE G3/8M TREATED	VALVOLA DI RITEGNO G3/8M TRATTATA
8	B.2.033	ELETTROVALVOLA 3 VIE 24V	ELETTROVALVOLA 3 VIE 24V
9	T.1.271	TUBE AUTOFILL SOLENOID V. - MIXING VALVE	TUBO EV. RIEMP. - MISCELATORE ACQUA
10	A.2.004.01	FITTING G1/4F-G3/8F WR22 BRASS TREATED	RACCORDO G1/4F-G3/8F CH22 OTTONE TRATT.
11	A.2.002.01	TEE FITTING R1/4M WR13 BRASS TREATED	RACCORDO A T R1/4M CH13 OTTONE TRATT.
12	T.1.268	TUBE CHECK V. - MIX V. WATER GB5 X	TUBO V.RITEGNO-V.MISC. ACQUA GB5 X
13	T.1.270	TUBE CHECK V. - MIX V. WATER GB5 X-S	TUBO V.RITEGNO - V.MISC. ACQUA GB5 X-S
14	<a href="#">T.1.086</a>	TUBE S.B. CHECK V. - TEA MIX V. CHECK V.	TUBO V.RITEGNO C.V.-V.RITEGNO V.MISC.TE'
15	T.1.269	TUBE TEA MIX V.-SOLENOID V. WATER GB5 X	TUBO V.MISC. TE' - EV ACQUA GB5 X
16	<a href="#">T.1.084</a>	TUBE CHECK VALVE - STEAM BOILER INLET	TUBO V.RITEGNO - INGRESSO C.VAPORE
17	<a href="#">T.1.252</a>	TUBE STEAM B. - HOT WATER CHECK VALVE	TUBO C.VAPORE - V.RITEGNO ACQUA CALDA
<b>Item</b>	<b>Part number/Codice</b>	<b>Description</b>	<b>Descrizione</b>



la marzocco

handmade in florence

# HYDRAULIC ASSEMBLY - S VERSION





la marzocco

handmade in florence

## HYDRAULIC ASSEMBLY - S VERSION

Impianto Idraulico

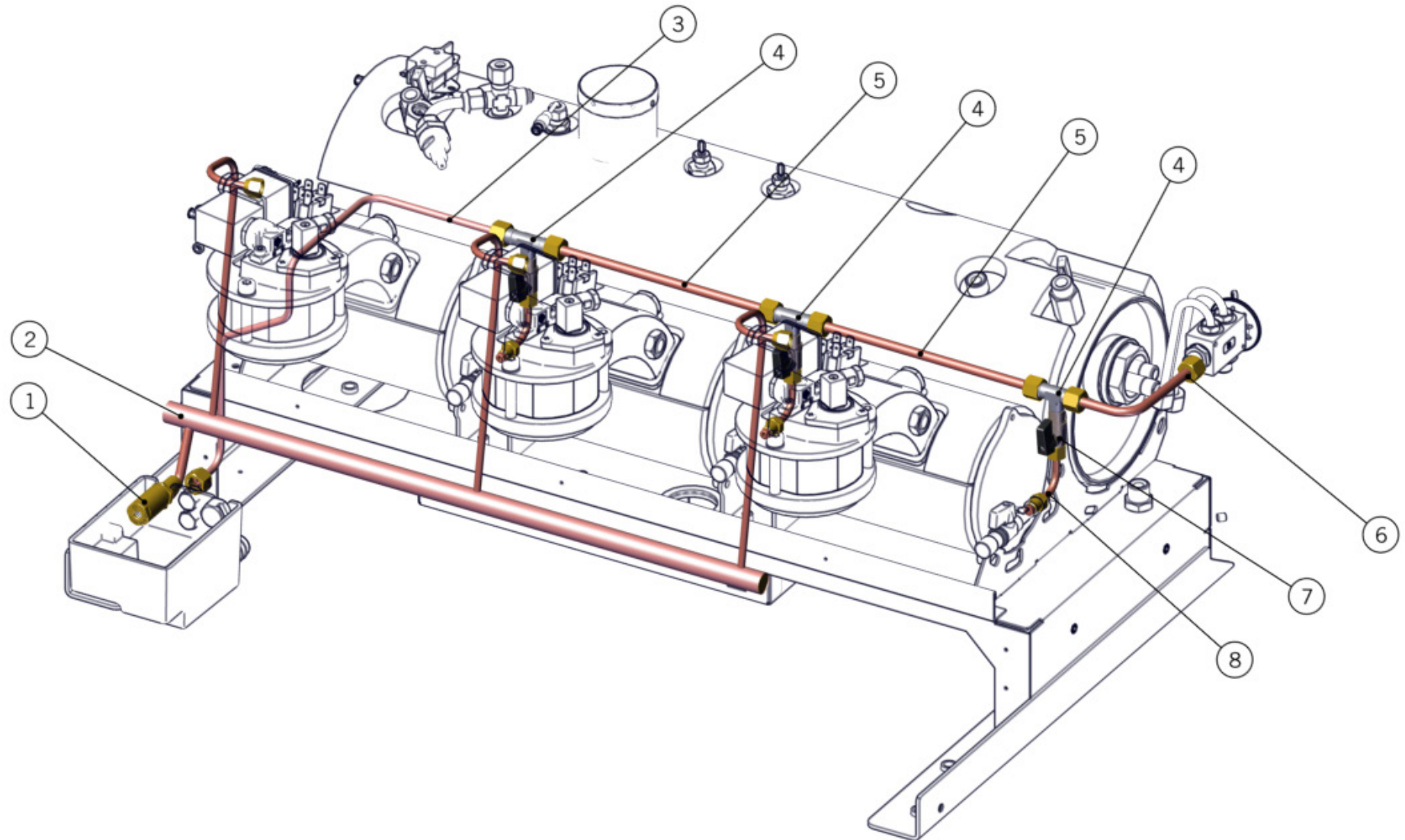
1	<a href="#">L183/1.01</a>	NUT G3/8 H6 CH21 BRASS TREATED	DADO G3/8 H6 CH21 OTTONE TRATTATO
2	<a href="#">A.5.020</a>	NIPPLE G3/8M-G3/8M WR21 H38 BRASS TR.	NIPPLO G3/8M-G3/8M CH21 H38 OTT. TR.
3	T.1.262	TUBE WATER INLET GB5 X-S	TUBO INGRESSO ACQUA GB5 X-S
4	B.2.033	ELETTROVALVOLA 3 VIE 24V	ELETTROVALVOLA 3 VIE 24V
5	<a href="#">T.1.002</a>	SOLENOID VALVE T TUBE	TUBO T - EV RIEMP.
6	A.2.002.01	TEE FITTING R1/4M WR13 BRASS TREATED	RACCORDO A T R1/4M CH13 OTTONE TRATT.
7	A.2.004.01	FITTING G1/4F-G3/8F WR22 BRASS TREATED	RACCORDO G1/4F-G3/8F CH22 OTTONE TRATT.
8	<a href="#">T.1.157</a>	TUBE CHECK V.-AUTOFILL SOLENOID V.	TUBO V.RITEGNO - EV RIEMPIMENTO LINEA PB
9	<a href="#">L032/P.01</a>	CHECK VALVE G3/8M TREATED	VALVOLA DI RITEGNO G3/8M TRATTATA
10	<a href="#">TL05/234</a>	TUBE CHECK VALVE - STEAM BOILER 2-3-4 GR	TUBO V.RITEGNO - CALDAIA VAPORE 2-3-4 GR
11	<a href="#">TL08/234</a>	TUBE STEAM BOILER - HOT WATER S.V.	TUBO CALDAIA VAPORE - EV ACQUA CALDA
<b>Item</b>	<b>Part number/Codice</b>	<b>Description</b>	<b>Descrizione</b>



la marzocco

handmade in florence

# HYDRAULIC ASSEMBLY - X VERSION





la marzocco

handmade in florence

## HYDRAULIC ASSEMBLY - X VERSION

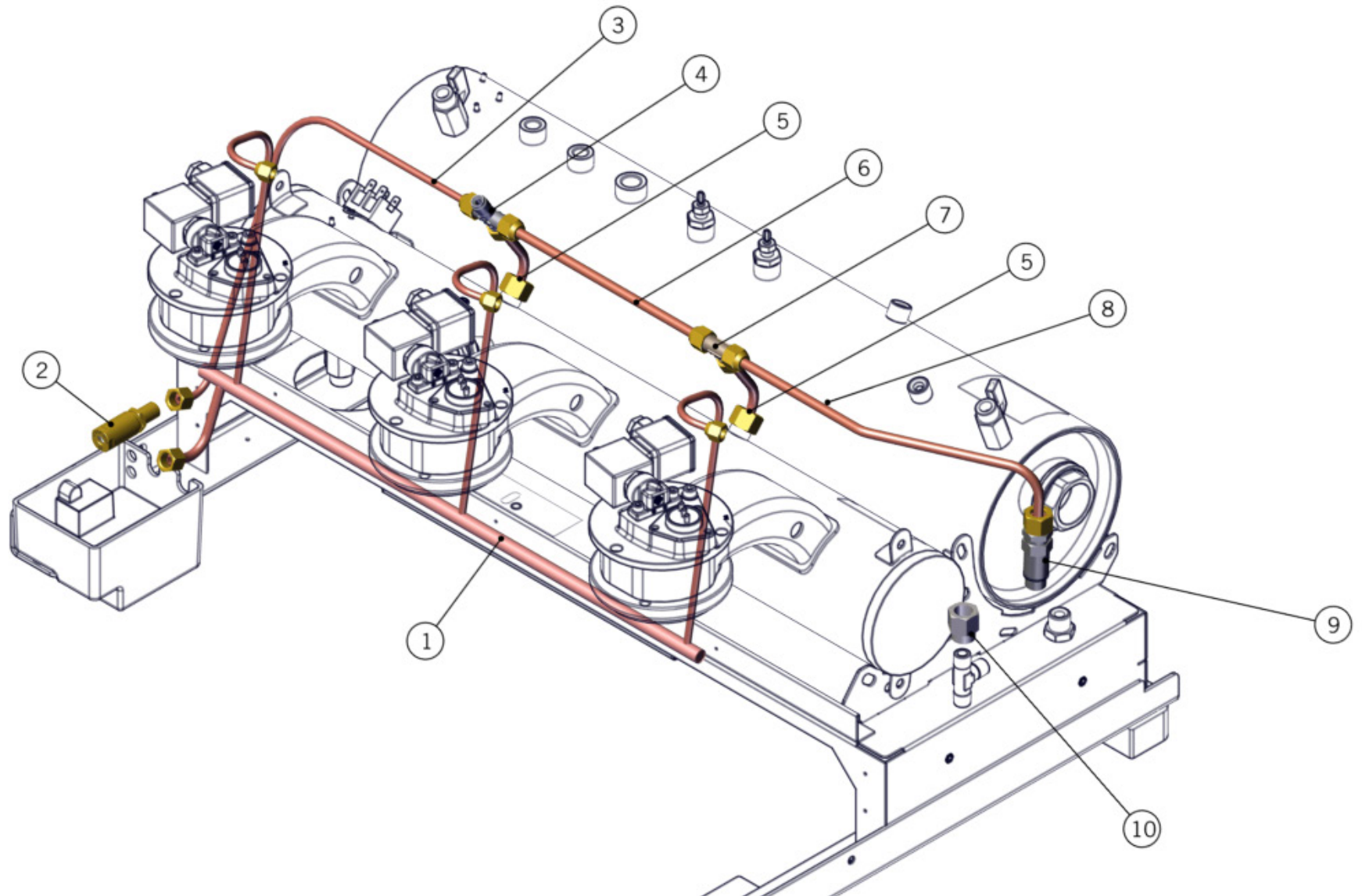
### Impianto Idraulico

1	L140_C	COMPLETE EXPANSION VALVE	VALVOLA ESPANSIONE COMPLETA
2	<a href="#">T.1.021.2</a>	DRAIN TUBE SOLENOID V. GB5 2AV	TUBO SCARICO EV GB5 2AV
	<a href="#">T.1.021.3</a>	DRAIN TUBE SOLENOID V. GB5 3AV	TUBO SCARICO EV GB5 3AV
	<a href="#">T.1.021.4</a>	DRAIN TUBE SOLENOID V. GB5 4AV	TUBO SCARICO EV GB5 4AV
3	T.1.267	TUBE C. BOILER - EXPANSION VALVE GB5 X-S	TUBO C. CAFFE' - VALVOLA ESPANS. GB5 X-S
4	A.2.002.01	TEE FITTING R1/4M WR13 BRASS TREATED	RACCORDO A T R1/4M CH13 OTTONE TRATT.
5	<a href="#">T.1.113</a>	TUBE COFFEE B. CONNECTION STRADA MP	TUBO COLLEGAMENTO C.CAFFE' STRADA MP
6	<a href="#">T.1.080</a>	TUBE MIX V. - COFFEE B. TEE LINEA PB	TUBO V. MISC. - T C.CAFFE' LINEA PB
7	B.2.016.01	BALL VALVE G1/8F-R1/8M BRASS TREATED	RUBINETTO A SFERA G1/8F-R1/8M OTTONE TR.
8	<a href="#">T.1.257</a>	TUBE VALVE 1/8" - T FITTING	TUBO RUBINETTO 1/8" - RACCORDO A T
<b>Item</b>	<b>Part number/Codice</b>	<b>Description</b>	<b>Descrizione</b>



**la marzocco**  
handmade in florence

# HYDRAULIC ASSEMBLY - S VERSION





la marzocco

handmade in florence

## HYDRAULIC ASSEMBLY - S VERSION

### Impianto Idraulico

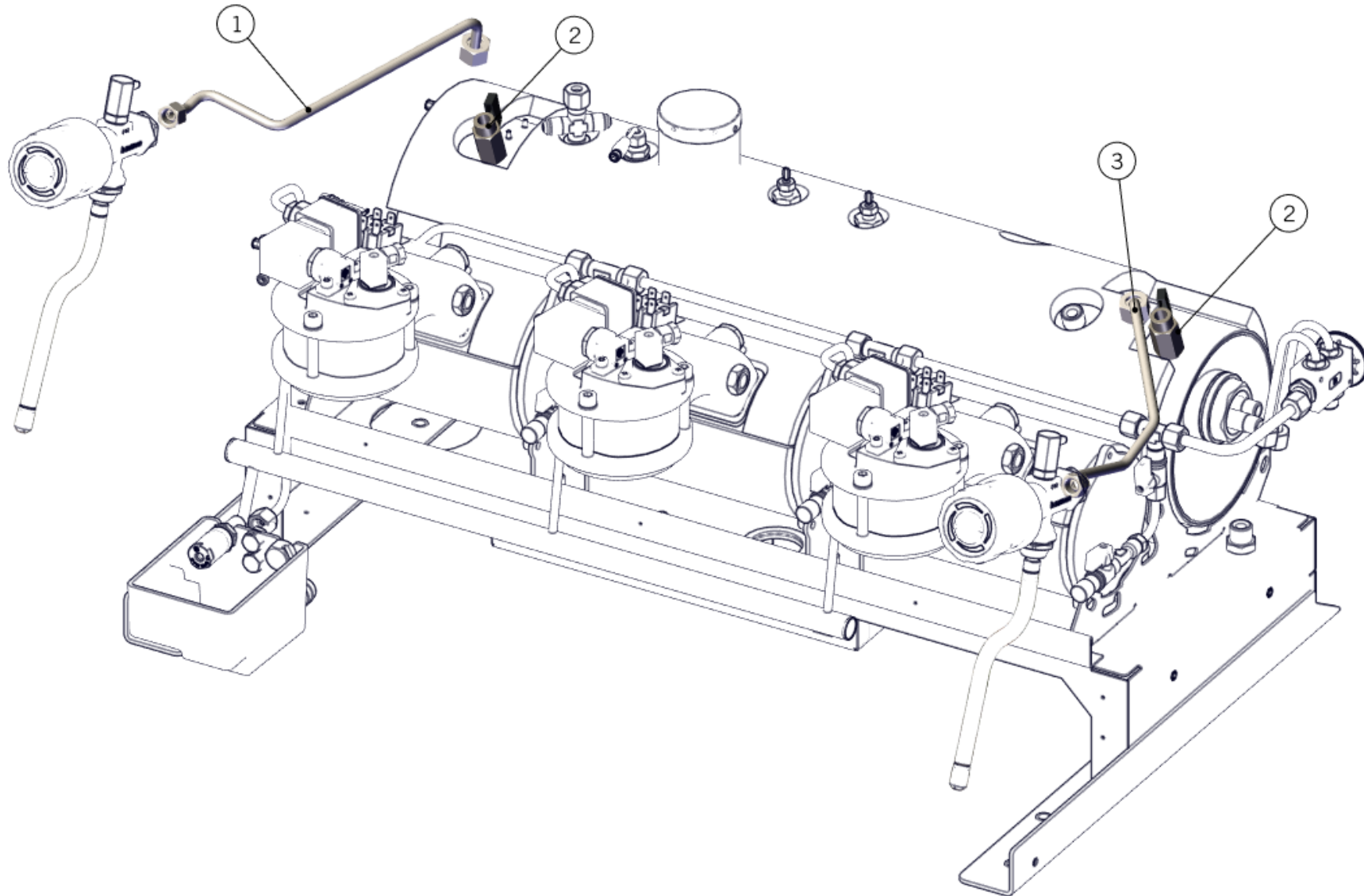
1	<a href="#">T.1.021.2</a>	DRAIN TUBE SOLENOID V. GB5 2AV	TUBO SCARICO EV GB5 2AV
	<a href="#">T.1.021.3</a>	DRAIN TUBE SOLENOID V. GB5 3AV	TUBO SCARICO EV GB5 3AV
	<a href="#">T.1.021.4</a>	DRAIN TUBE SOLENOID V. GB5 4AV	TUBO SCARICO EV GB5 4AV
2	L140_C	COMPLETE EXPANSION VALVE	VALVOLA ESPANSIONE COMPLETA
3	<a href="#">T.1.009</a>	TUBE CROSS FITTING - EXPANSION VALVE GB5	TUBO CROCIERA - VALVOLA ESPANSIONE GB5
4	L129.01	CROSS FITTING G1/4M WR13 BRASS TREATED	RACCORDO A CROCE G1/4M CH13 OTTONE TR.
5	<a href="#">TL06</a>	TUBE CROSS FITTING - COFFEE BOILER	TUBO CROCIERA - CALDAIA CAFFE'
6	<a href="#">TL05/3</a>	TUBE CROSS FITTING CONNECTION 3GR	TUBO COLLEGAMENTO CROCIERE 3GR
7	L128.01	TEE FITTING G1/4M WR13 BRASS TREATED	RACCORDO A T G1/4M CH13 OTTONE TRATTATO
8	<a href="#">T.1.153</a>	TUBE CHECK VALVE - COFFEE B. TEE FITTING	TUBO VALVOLA RITEGNO - T CALDAIA CAFFE'
9	<a href="#">L032/P.01</a>	CHECK VALVE G3/8M TREATED	VALVOLA DI RITEGNO G3/8M TRATTATA
10	A.2.004.01	FITTING G1/4F-G3/8F WR22 BRASS TREATED	RACCORDO G1/4F-G3/8F CH22 OTTONE TRATT.
<b>Item</b>	<b>Part number/Codice</b>	<b>Description</b>	<b>Descrizione</b>



la marzocco

handmade in florence

# HYDRAULIC ASSEMBLY





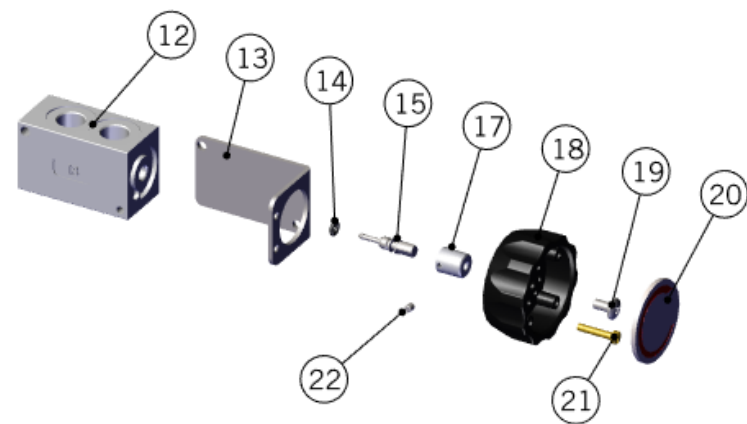
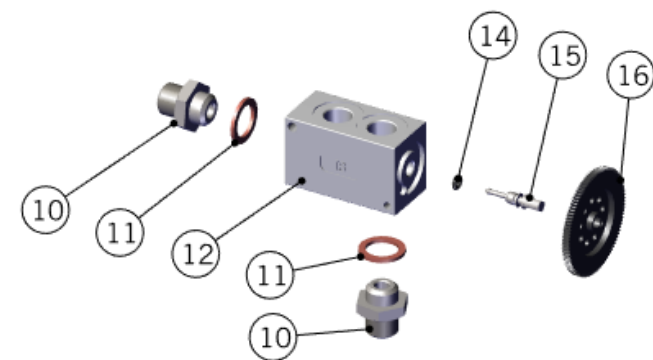
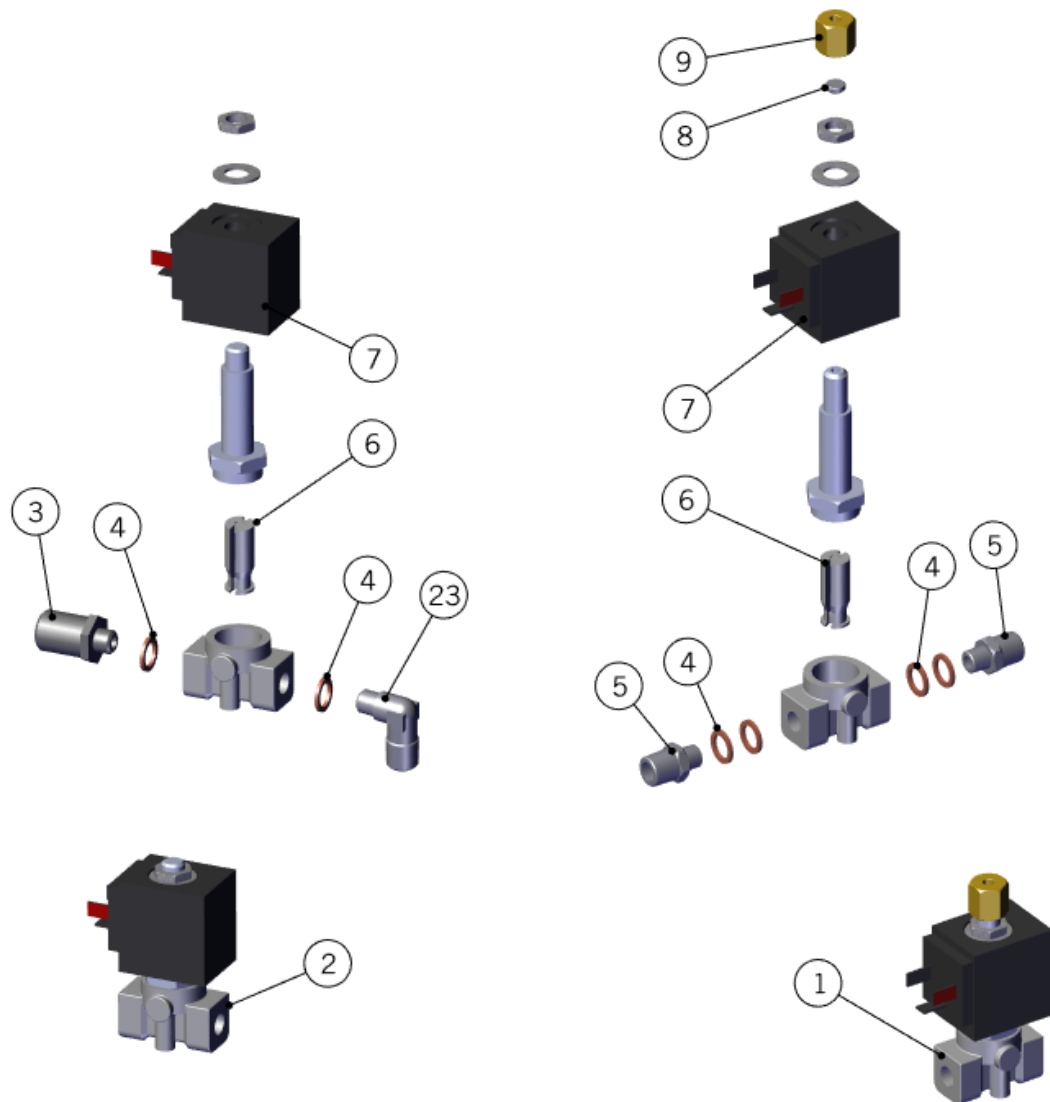
**la marzocco**

handmade in florence

## HYDRAULIC ASSEMBLY

<b>Impianto Idraulico</b>	1	T.1.265	TUBE BALL V. S.B. - LEFT STEAM VALVE TR.	TUBO RUB.SFERA C.V.-RUB. VAP. SX TRATT.
	2	L164.02	BALL VALVE G3/8M-G3/8F BRASS TREATED	RUBINETTO A SFERA G3/8M-G3/8F OTTONE TR.
	3	T.1.264	TUBE BALL V.S.B.-RIGHT STEAM VALVE 3-4GR	TUBO RUB.SFERA C.V.-RUB.VAP.DX 3-4GR
	Item	Part number/Codice	Description	Descrizione

# FITTINGS AND VALVES



**la marzocco**

handmade in florence

# FITTINGS AND VALVES

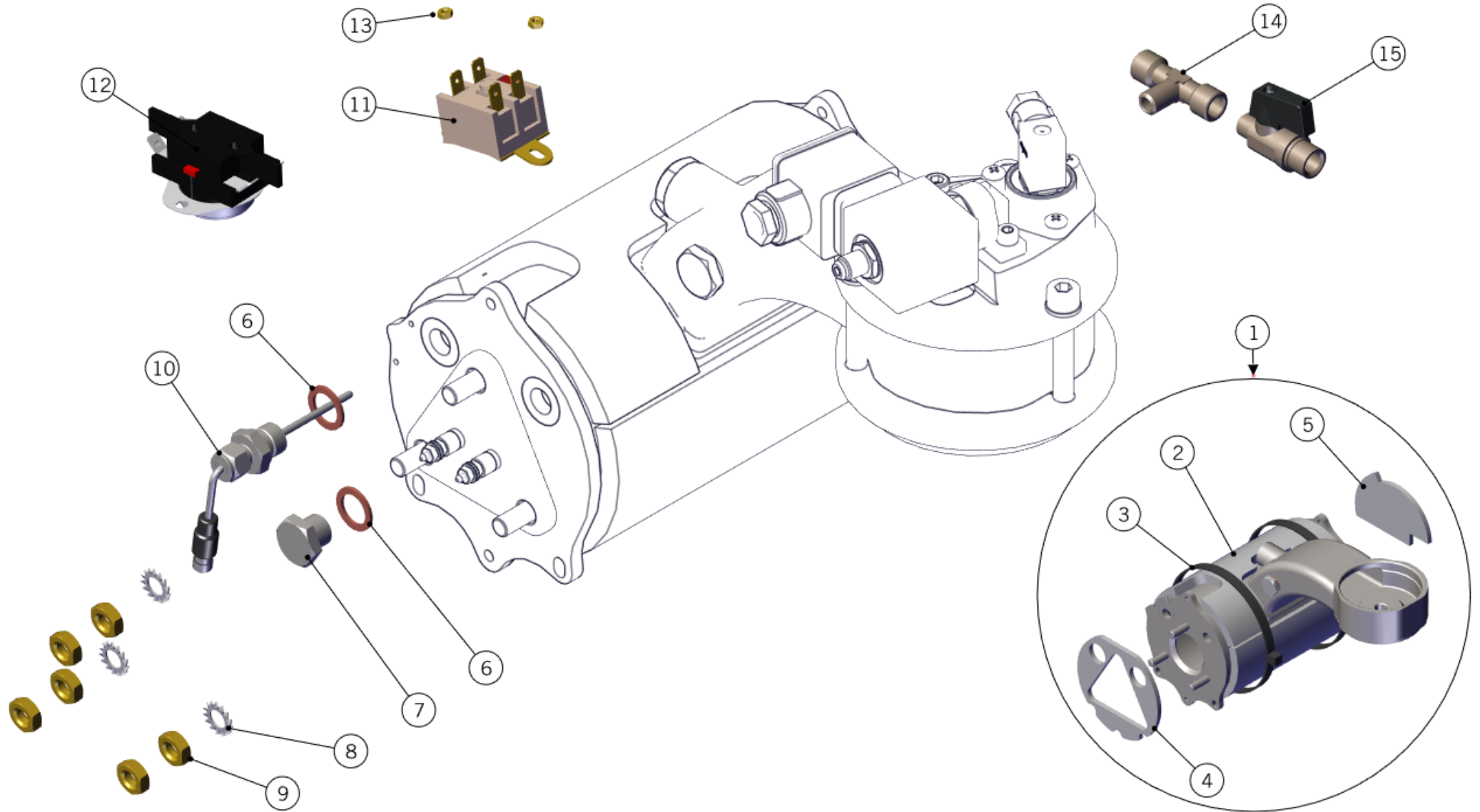
## Raccordi e Valvole

1	B.2.033	ELETTROVALVOLA 3 VIE 24V	ELETTROVALVOLA 3 VIE 24V
2	B.2.032	ELETTROVALVOLA 2 VIE 24V	ELETTROVALVOLA 2 VIE 24V
3	L053/2.01	FITTING G3/8M-G1/8M H31,5 TR.	RACCORDO G3/8M-G1/8M H31,5 TR.
4	L100/D	WASHER 10X14X1,5 COPPER	RONDELLA 10X14X1,5 RAME
5	L053/1.01	NIPPLE R1/8M-R1/4M WR14 BRASS TR.	NIPPLO R1/8M-R1/4M CH14 OTTONE TR.
6	B.2.034	PLUNGER SOLENOID VALVE 24V 3 WAY	NUCLEO EV 3 VIE 24V
	B.2.035	PLUNGER SOLENOID VALVE 24V 2 WAY	NUCLEO EV 2 VIE 24V
7	B.2.026	COIL SOLENOID VALVE 24	BOBINA PER EV 24V
8	L134/4	FERRULE BLIND 8X4 TREATED	GHIANDINA CIECA 8X4 TRATTATO
9	L134	FITTING G1/8F H14 WR14 D4 BRASS	RACCORDO G1/8F H14 CH14 D4 OTTONE
10	A.5.019	NIPPLE G1/4M-G1/4M WR19 H21.5 BRASS TR.	NIPPLO G1/4M-G1/4M CH19 H21.5 OTT. TR.
11	L100/1A	WASHER 13,5X19X1,5 COPPER	RONDELLA 13,5X19X1,5 RAME
12	B.2.007.01	MIXING VALVE BODY TREATED	CORPO VALVOLA MISCELATRICE TRATTATA
13	C.1.502	BRACKET WATER MIXING VALVE GB5 X-S	STAFFA VALVOLA MISCELATRICE ACQUA GB5 X-
14	H.1.007	O-RING 1.78X2.9 FKM 74 SH	O-RING 1.78X2.9 FKM 74 SH
15	F.3.008	THERMOSTATIC VALVE PIN	SPINA X VALV. TERMOSTATICA
16	F.1.016	THERMOSTATIC VALVE ADJUSTMENT KNOB	GHIERA REGOLAZIONE VALVOLA TERMOSTATICA
17	F.6.021	ADAPTER MIXING VALVE GB5 X-S	PROLUNGA VALVOLA MISCELAZIONE GB5 X-S
18	F.1.155.R	THERMOSTATIC VALVE KNOB W/MAGNETS	MANOPOLA VALVOLA TERMOSTAT CON MAGNETI
19	I.1.006	SCREW M4X8 PHILLIPS BUTTON HEAD S/S A2	VITE M4X8 TPB A CROCE INOX A2
20	D.4.042	PLATE HOT WATER GB5 X-S	PLACCA ACQUA CALDA GB5 X-S
21	VITE3X16	SCREW M3X16 CHEESE BRASS	VITE M3X16 TC A TAGLIO OTTONE
22	I.1.130	SOCKET GRUB SCREW M3X3 S/S	GRANO M3X3 A BRUGOLA INOX
23	A.2.030.01	ELBOW FITTING R1/4M-R1/8M WR10 BRASS TR.	RACC. A GOMITO R1/4M-R1/8M CH10 OT.TR.
<b>Item</b>	<b>Part number/Codice</b>	<b>Description</b>	<b>Descrizione</b>



**la marzocco**  
handmade in florence

# COFFEE BOILER ASSEMBLY - X VERSION





la marzocco

handmade in florence

# COFFEE BOILER ASSEMBLY - X VERSION

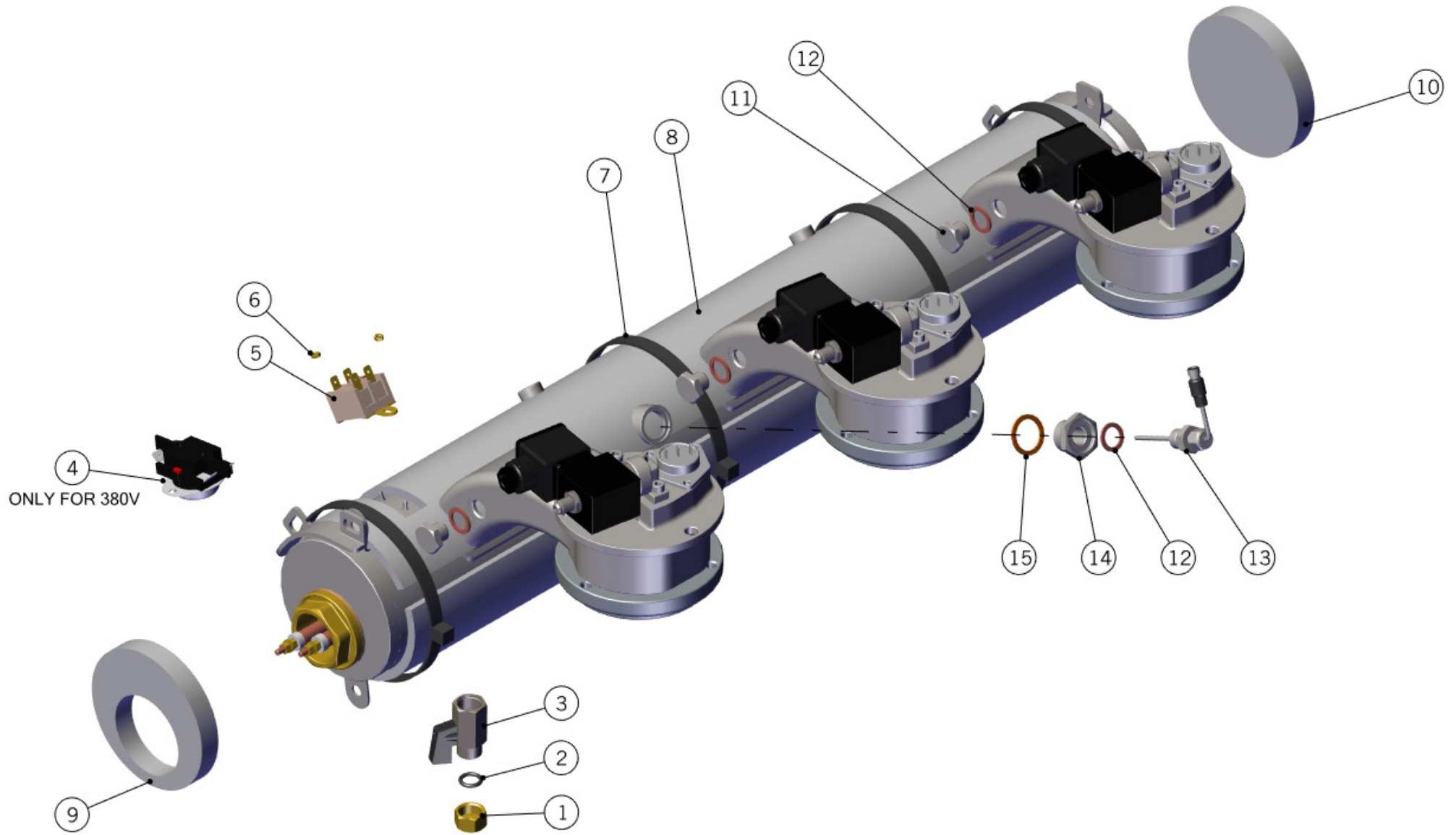
## Caldaia Caffè

1	<a href="#">L.1.001.01.R</a>	COFFEE BOILER FLAT SIDE 1GR	CALDAIA CAFFE' FOND. PIATTI 1GR
2	<a href="#">F.7.015</a>	INSULATION PANEL COFFEE BOILER LEVA 1GR	ISOLANTE CALDAIA CAFFE' LEVA 1GR
3	A.5.016.01	PLASTIC FASTENER 750X7.5	FASCETTA NERA 750x7.5 NYLON
4	F.7.030.SX	INSULATING LFT SIDE SINGLE CB	ISOLANTE FONDELLO SX CC SINGOLA
5	F.7.030.DX	INSULATING RGT SIDE SINGLE CB	ISOLANTE FONDELLO DX CC SINGOLA
6	<a href="#">L100/1A</a>	WASHER 13,5X19X1,5 COPPER	RONDELLA 13,5X19X1,5 RAME
7	<a href="#">A.5.022</a>	CAP G1/4 H15,5 WR19 S/S	TAPPO G1/4 H15,5 CH19 INOX
8	<a href="#">ROND_DENT_8</a>	TOOTH LOCK WASHER 8X14,7X2 S/S A2	ROND.DENTATA 8,5X14,7X2 INOX A2
9	<a href="#">I.1.025</a>	NUT M8 H5 WR13 BRASS	DADO BASSO M8 H5 CH13 (UNI5589) OTTONE
10	<a href="#">E.1.005</a>	TEMPERATURE PROBE PT1000 100MM	SONDA TEMPERATURA PT1000 100MM
11	<a href="#">L276/B</a>	SAFETY THERMOSTAT 2P 130C 250V	TERMOSTATO BIPOL. 130C 250V
12	<a href="#">E.5.005</a>	SAFETY THERMOSTAT 2P TRIP FREE 130C 600V	TERMOSTATO BIPOL. TRIP FREE 130C 600V
13	<a href="#">DADO3M</a>	NUT M3 H3 WR5,5 BRASS	DADO M3 H3 CH5,5 OTTONE
14	A.2.012.01	TEE FITTING R1/8M-G1/8F-G1/8F WR10 TR	RACCORDO A T R1/8M-G1/8F-G1/8F CH10 TR
15	B.2.016.01	BALL VALVE G1/8F-R1/8M BRASS TREATED	RUBINETTO A SFERA G1/8F-R1/8M OTTONE TR.
<b>Item</b>	<b>Part number/Codice</b>	<b>Description</b>	<b>Descrizione</b>



**la marzocco**  
handmade in florence

# COFFEE BOILER ASSEMBLY - S VERSION





la marzocco

handmade in florence

# COFFEE BOILER ASSEMBLY - S VERSION

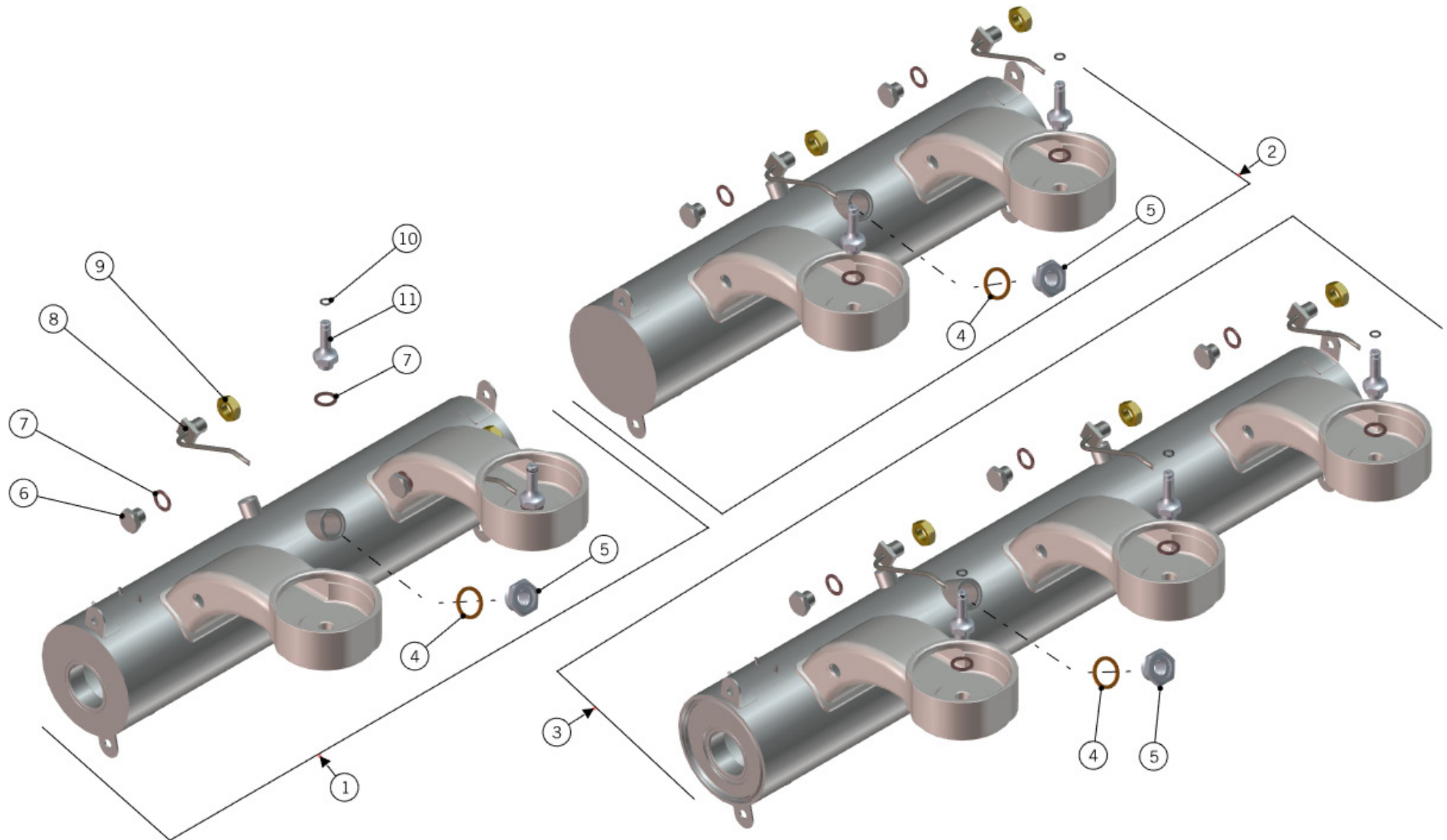
Caldaia Caffè

1	L030	CAP NUT G3/8 H11 WR19 BRASS	DADO CIECO CILINDRICO G3/8 H11 WR19 OTT.
2	H.1.004	O-RING 2,62x10,77 EPDM 85 SH	O-RING 2,62x10,77 EPDM 85 SH
3	L164.02	BALL VALVE G3/8M-G3/8F BRASS TREATED	RUBINETTO A SFERA G3/8M-G3/8F OTTONE TR.
4	E.5.005	SAFETY THERMOSTAT 2P TRIP FREE 130C 600V	TERMOSTATO BIPOL. TRIP FREE 130C 600V
5	L276/B	SAFETY THERMOSTAT 2P 130C 250V	TERMOSTATO BIPOL. 130C 250V
6	DAD03M	NUT M3 H3 WR5,5 BRASS	DADO M3 H3 CH5,5 OTTONE
7	A.5.016.01	PLASTIC FASTENER 750X7.5	FASCETTA NERA 750x7.5 NYLON
8	F.7.008	INSULATION PANEL 4GR LINEA&GB5 STEAM B.	ISOLANTE C. VAPORE LINEA E GB5 4GR
	F.7.013	INSULATION PANEL 3GR GB5 STEAM B.	ISOLANTE C. VAPORE GB5 3GR
	F.7.012	INSULATION PANEL 420X515X15 STEAM B. 2GR	ISOLANTE 420X515X15 C.VAPORE 2GR
9	F.7.029.SX	INSULATING LEFT SIDE CB	ISOLANTE FONDELLO SX CC
10	F.7.029.DX	INSULATING RGT SIDE CB	ISOLANTE FONDELLO DX CC
11	A.5.022	CAP G1/4 H15,5 WR19 S/S	TAPPO G1/4 H15,5 CH19 INOX
12	L100/1A	WASHER 13,5X19X1,5 COPPER	RONDELLA 13,5X19X1,5 RAME
13	E.1.005	TEMPERATURE PROBE PT1000 100MM	SONDA TEMPERATURA PT1000 100MM
14	A.2.007	PT1000 PROBE ADAPTOR	RIDUZIONE PER SONDA PT1000
15	L260/1A	WASHER 21X27X1,5 COPPER	RONDELLA 21X27X1,5 RAME
<b>Item</b>	<b>Part number/Codice</b>	<b>Description</b>	<b>Descrizione</b>



**la marzocco**  
handmade in florence

# COFFEE BOILER ASSEMBLY - S VERSION





la marzocco

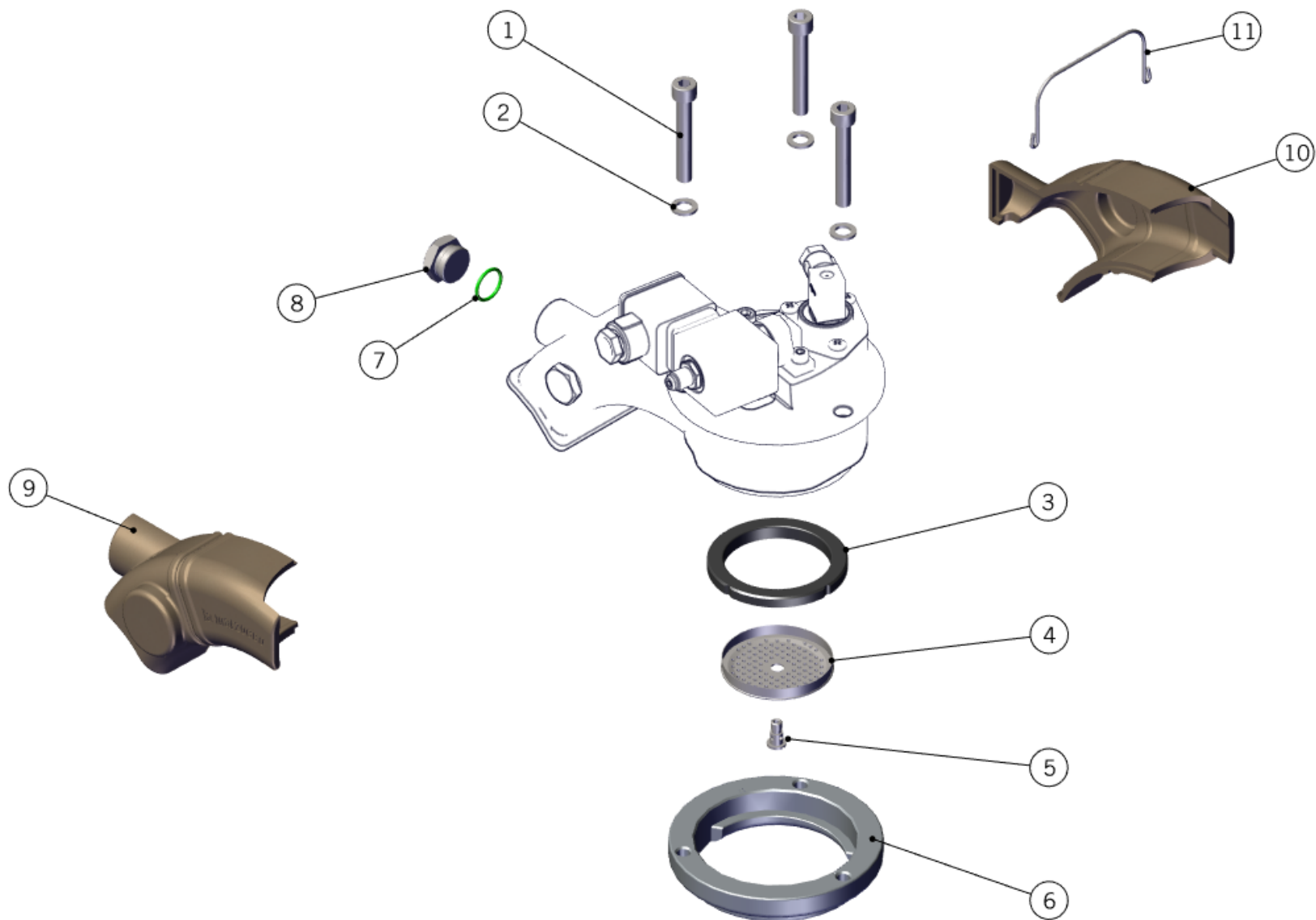
handmade in florence

## COFFEE BOILER ASSEMBLY - S VERSION

### Caldaie Caffè Ricambi

1	<a href="#">L.1.005.2GB.R</a>	COFFEE BOILER FLAT SIDE 2GR	CALDAIA CAFFE' FOND. PIATTI 2GR
2	<a href="#">L.1.005.2DGB.R</a>	COFFEE BOILER FLAT SIDE DX 2GR	CALDAIA CAFFE' FOND. PIATTI DX 2GR
3	<a href="#">L.1.005.3GB.R</a>	COFFEE BOILER FLAT SIDE 3GR	CALDAIA CAFFE' FOND. PIATTI 3GR
4	<a href="#">L260/1A</a>	WASHER 21X27X1,5 COPPER	RONDELLA 21X27X1,5 RAME
5	<a href="#">A.2.007</a>	PT1000 PROBE ADAPTOR	RIDUZIONE PER SONDA PT1000
6	<a href="#">A.5.022</a>	CAP G1/4 H15,5 WR19 S/S	TAPPO G1/4 H15,5 CH19 INOX
7	<a href="#">L100/1A</a>	WASHER 13,5X19X1,5 COPPER	RONDELLA 13,5X19X1,5 RAME
8	B.1.003.01	RIGHT SIDE GROUP NECK CAP	TAPPO DX PER GRUPPO TRATT TEA
9	<a href="#">L100/5</a>	NUT G1/4 H8 WR20 BRASS	DADO G1/4 H8 CH20 OTTONE
10	<a href="#">H.1.006</a>	O-RING 1,78x6,07 VITON	O-RING 1,78x6,07 VITON
11	A.2.009.01	S/S GROUP ADAPTER	CANOTTO EROGAZIONE INOX
<b>Item</b>	<b>Part number/Codice</b>	<b>Description</b>	<b>Descrizione</b>

# COFFEE BOILER ASSEMBLY





la marzocco

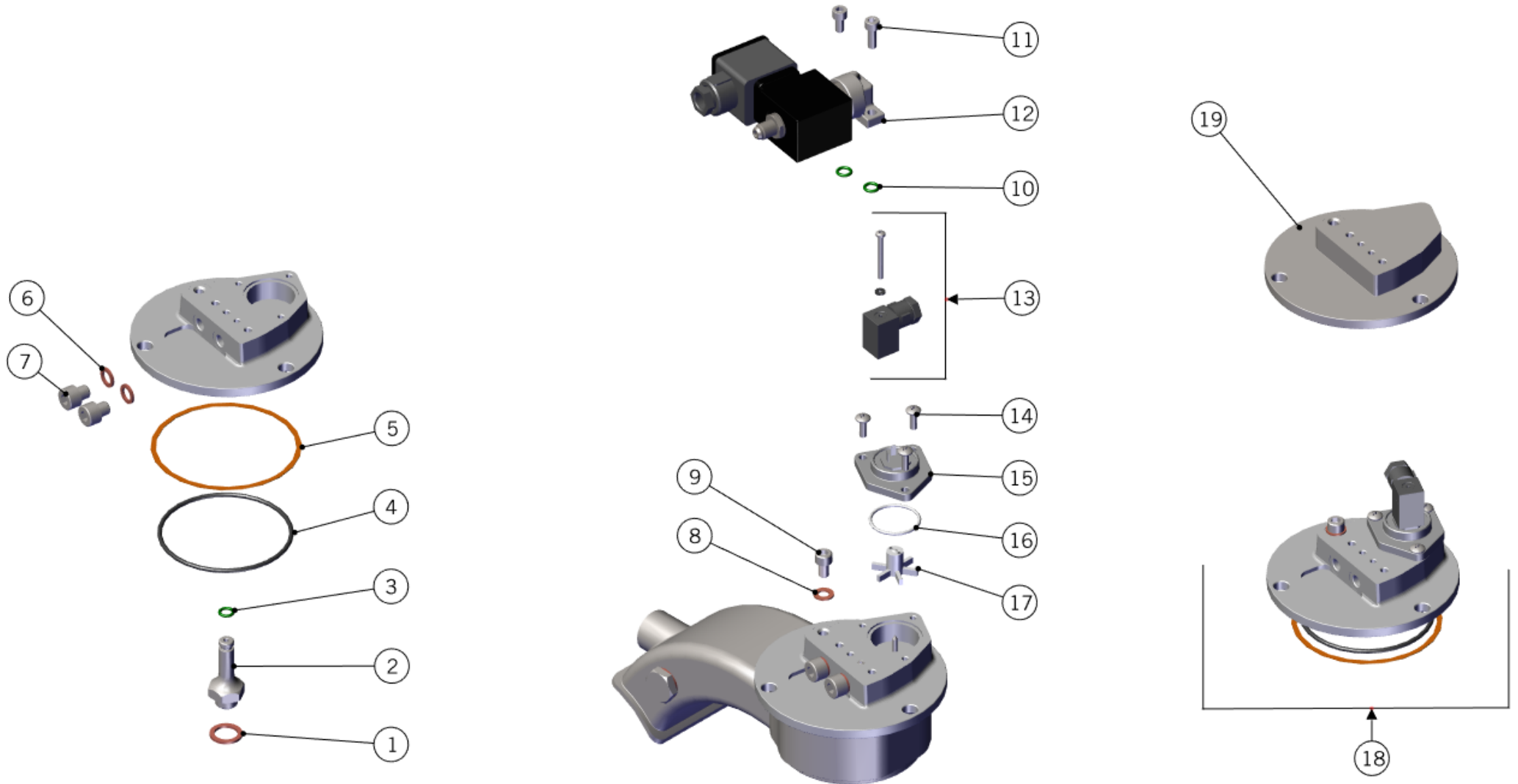
handmade in florence

## COFFEE BOILER ASSEMBLY

Caldaie Caffè

1	L110.01	SCREW M8X52 SOCKET CAP S/S A2 70	VITE M8X52 TC A BRUGOLA INOX A2 70
2	<a href="#">L1003</a>	WASHER 8,5X14X1,5 S/S A2	RONDELLA 8,5X14X1,5 INOX A2
3	<a href="#">H.3.004</a>	GROUP GASKET	GUARNIZIONE SOTTOCOPPA
4	<a href="#">A.5.110</a>	DIFFUSER SCREW M6 Ø10 S/S	VITE DIFFUSORE M6 Ø10 INOX
5	F.3.040.01	COFFEE SHOWER SCREEN W/LOGO H6.5	DOCCETTA RINFORZATA C/LOGO H6.5
6	L109.01	BAYONET RING	ANELLO CROMATO
7	<a href="#">H.1.022</a>	O-RING 1,78X15,60 VITON 70 SH	O-RING 1,78X15,60 VITON 70 SH
8	<a href="#">A.5.082</a>	CAP M20X1 H13 WR22 S/S	TAPPO M20X1 H13 CH22 INOX
9	F.1.193.SX	INSULATING GROUP NECK SX	ISOLAMENTO COLLO GRUPPO SX
10	F.1.193.DX	INSULATING GROUP NECK DX	ISOLAMENTO COLLO GRUPPO DX
11	F.3.138	CLIP INSULATING CLOSING	CLIP DI CHIUSURA ISOLAMENTO
<b>Item</b>	<b>Part number/Codice</b>	<b>Description</b>	<b>Descrizione</b>

# COFFEE GROUP ASSEMBLY- GROUP CAP





la marzocco

handmade in florence

# COFFEE GROUP ASSEMBLY- GROUP CAP

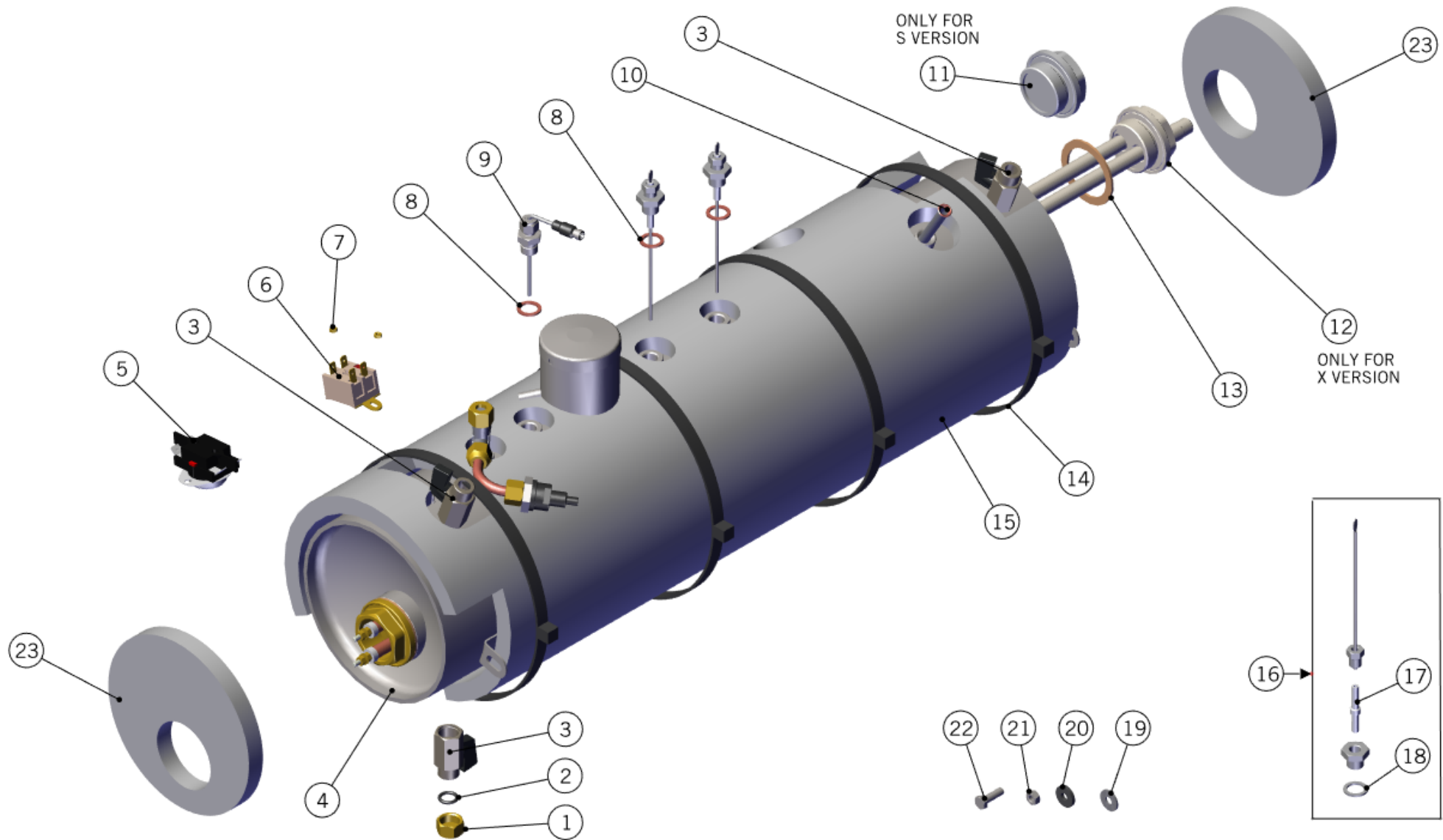
Caldaia Caffè

1	<a href="#">L100/1A</a>	WASHER 13,5X19X1,5 COPPER	RONDELLA 13,5X19X1,5 RAME
2	A.2.009.01	S/S GROUP ADAPTER	CANOTTO EROGAZIONE INOX
3	<a href="#">H.1.006</a>	O-RING 1,78x6,07 VITON	O-RING 1,78x6,07 VITON
4	<a href="#">L103/A</a>	O-RING 2,62X75,87 VITON 70 ShA FDA	O-RING 2,62X75,87 VITON 70 ShA FDA
5	<a href="#">L103/B</a>	FIBER GASKET 87X81X0,5	GUARNIZ. PIANA 87X81X0.5 NOVUS
6	I.1.019.01	SCREW M8X8 SOCKET CAP S/S A2	VITE M8X8 TC A BRUGOLA INOX A2
7	<a href="#">I.4.002</a>	WASHER 8,3X12X1,5 COPPER	RONDELLA 8,3X12X1,5 RAME
8	<a href="#">L120/2A</a>	WASHER 6,3X12X1 COPPER	RONDELLA 6,3X12X1 RAME
9	<a href="#">L120/2</a>	SCREW M6X10 SOCKET CAP S/S A2	VITE M6X10 TC A BRUGOLA INOX A2
10	<a href="#">H.1.006</a>	O-RING 1,78x6,07 VITON	O-RING 1,78x6,07 VITON
11	<a href="#">I.1.005</a>	SCREW M5X10 SOCKET CAP S/S A2	VITE M5X10 TC A BRUGOLA INOX A2
12	B.3.003	ELETTROVALVOLA 3 VIE A 90° D0,6 24V	ELETTROVALVOLA 3 VIE A 90° D0,6 24V
13	<a href="#">LAD070/CGC</a>	CONNECTORS FLOWMETER KIT	CONNETTORE CONT VOL. KIT FLUSSOMETRO
14	<a href="#">CL22/V</a>	SCREW M4X12 PHILLIPS BUTTON HEAD S/S A2	VITE M4X12 TPB A CROCE INOX A2
15	<a href="#">LAD070/GC.R</a>	KIT FLOWMETER HEAD	KIT TESTA CONT. VOLUM. FLUSS.
16	<a href="#">LAD070/S1</a>	FLOW METER O-RING	GUARN.OR 8-2112 V.X CONT.VOL.
17	<a href="#">LAD070/V</a>	FLOW METER IMPELLER	GIRANTE X CONTATORE VOLUMET.
18	<a href="#">SA944</a>	GROUP CAP ASSEMBLY GB5 / PB	COPERCHIO GRUPPI AV INOX DI FORGIATURA
19	<a href="#">A.5.027</a>	GROUP CAP S/S EE	GROUP CAP INOX EE
<b>Item</b>	<b>Part number/Codice</b>	<b>Description</b>	<b>Descrizione</b>



**la marzocco**  
handmade in florence

# STEAM BOILER





la marzocco

handmade in florence

# STEAM BOILER

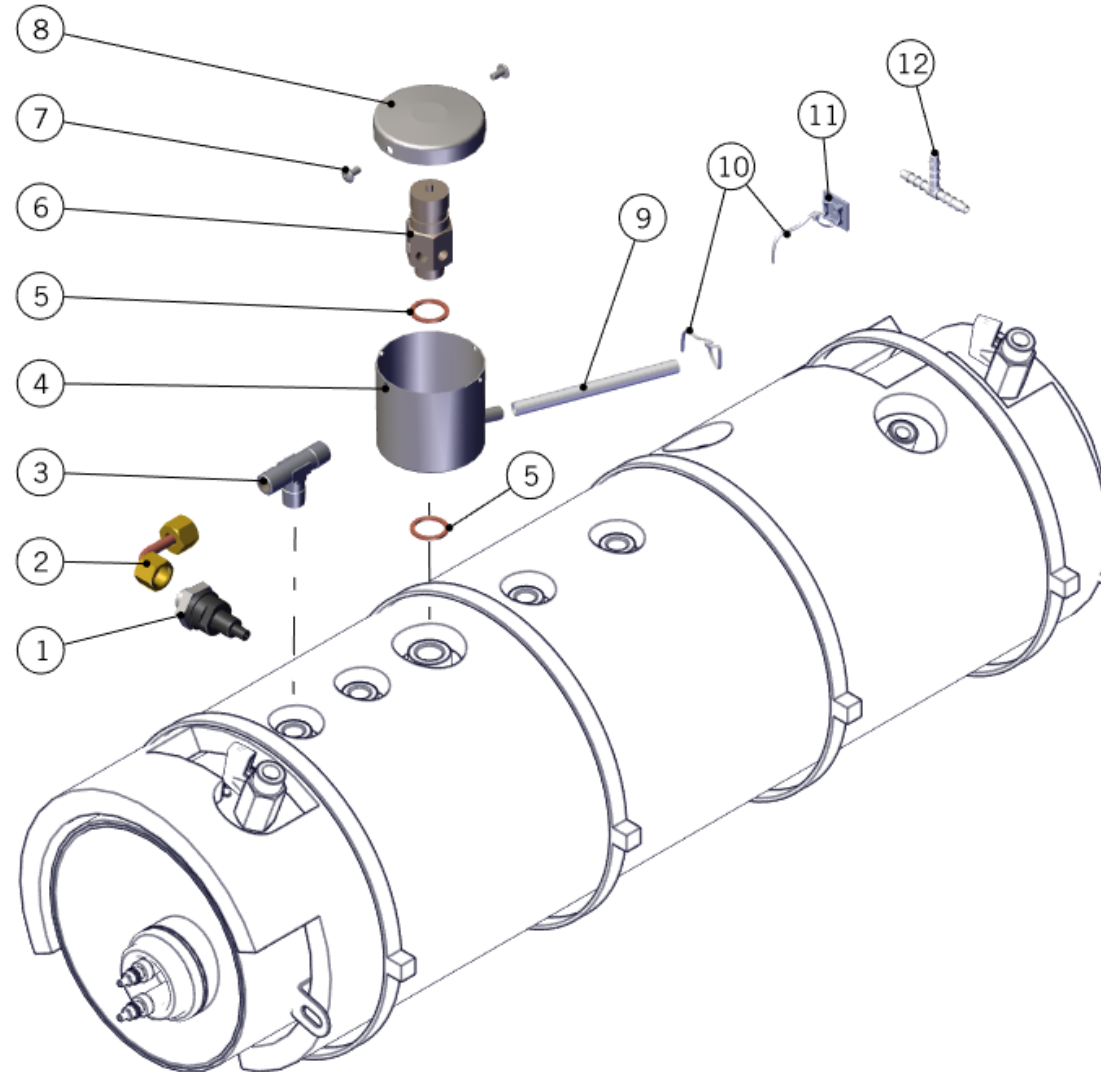
Caldaia Vapore

1	L030	CAP NUT G3/8 H11 WR19 BRASS	DADO CIECO CILINDRICO G3/8 H11 WR19 OTT.
2	H.1.004	O-RING 2,62x10,77 EPDM 85 SH	O-RING 2,62x10,77 EPDM 85 SH
3	L164.02	BALL VALVE G3/8M-G3/8F BRASS TREATED	RUBINETTO A SFERA G3/8M-G3/8F OTTONE TR.
4	L154/2VGB5.R	STEAM BOILER CONCAVE SIDE 2GR W/PREH.	CALDAIA VAPORE FOND.CURVI C/PRERISC. 2GR
	L154/3VGB5.R	STEAM BOILER CONCAVE SIDE 3GR W/PREH.	CALDAIA VAPORE FOND.CURVI C/PRERISC. 3GR
	L154/4VGB5.R	STEAM BOILER CONCAVE SIDE 4GR W/PREH.	CALDAIA VAPORE FOND.CURVI C/PRERISC. 4GR
5	E.5.005	SAFETY THERMOSTAT 2P TRIP FREE 130C 600V	TERMOSTATO BIPOL. TRIP FREE 130C 600V
6	L276/B	SAFETY THERMOSTAT 2P 130C 250V	TERMOSTATO BIPOL. 130C 250V
7	DADO3M	NUT M3 H3 WR5,5 BRASS	DADO M3 H3 CH5,5 OTTONE
8	L100/1A	WASHER 13,5X19X1,5 COPPER	RONDELLA 13,5X19X1,5 RAME
9	E.1.005	TEMPERATURE PROBE PT1000 100MM	SONDA TEMPERATURA PT1000 100MM
10	TL07/G.01	HOT WATER SUCTION PIPE TREATED	TUBO PESCAGGIO ACQUA C.VAPORE TRATTATO
11	A.2.108	CAP G1-1/4 H30 WR42 BRASS TREATED	TAPPO G1-1/4 H30 CH42 OTTONE TRATTATO
12	T.1.015.02	PREHEATER 2GR L384 MM W/Y JUNCTION	PRERISCALDATORE 2GR L384 MM C/GIUNTO Y
	T.1.019.02	PREHEATER 3/4GR L584 MM W/Y JUNCTION	PRERISCALDATORE 3/4GR L584 MM C/GIUNTO Y
13	LR360	1-1/4 HEATER ELEMENT GASKET	GUARNIZIONE PIANA DM.55X42X2
14	A.5.016.01	PLASTIC FASTENER 750X7.5	FASCETTA NERA 750x7.5 NYLON
15	F.7.012	INSULATION PANEL 420X515X15 STEAM B. 2GR	ISOLANTE 420X515X15 C.VAPORE 2GR
	F.7.008	INSULATION PANEL 4GR LINEA&GB5 STEAM B.	ISOLANTE C. VAPORE LINEA E GB5 4GR
	F.7.013	INSULATION PANEL 3GR GB5 STEAM B.	ISOLANTE C. VAPORE GB5 3GR
16	LA052	WATER LEVEL PROBE	SONDA LIVELLO TL10/B 140MM.
17	LA052/1	TEFLON INSULATOR PROBE	ISOLATORE IN TEFLON X SONDA
18	LA052/A	AUTOFILL PROBE GASKET	GUARNIZIONE SONDA LIVELLO
19	L165/9	WASHER 6,5X18X1,5 GALVANIZED	RONDELLA 6,5X18X1,5 ZINCATA
20	I.1.043	WASHER 6,5x18x3	RONDELLA 6.5x18x3 zing M_RO
21	I.1.049	NUT M6 H5 WR10 S/S A2	DADO M6 H5 CH10 INOX A2
22	I.1.058	SCREW M6X20 HEX HEAD S/S	VITE M6X20 TE INOX
23	F.7.027	INSULATING CONCAVE SIDE SB	ISOLANTE FONDELLO CURVO CV
<b>Item</b>	<b>Part number/Codice</b>	<b>Description</b>	<b>Descrizione</b>



**la marzocco**  
handmade in florence

# STEAM BOILER





**la marzocco**

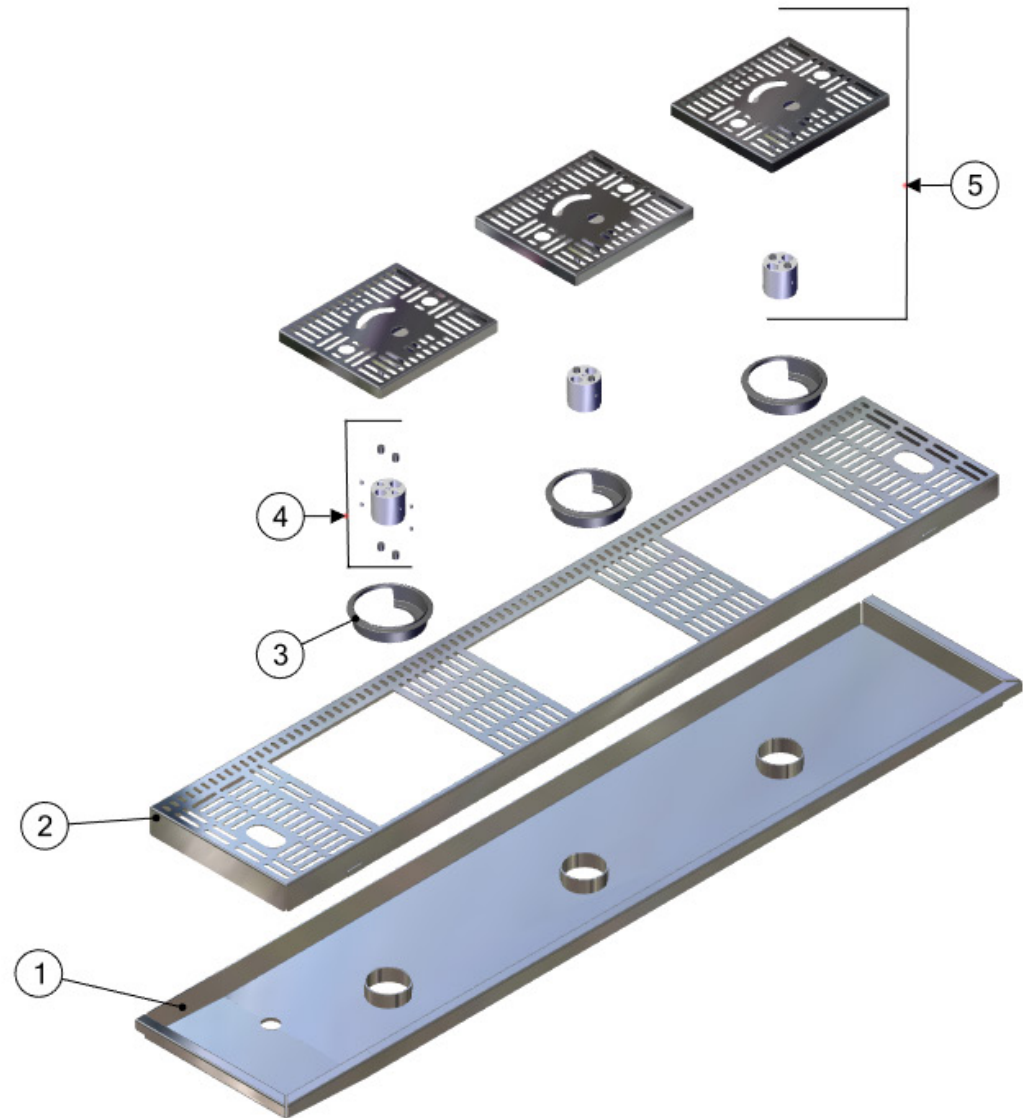
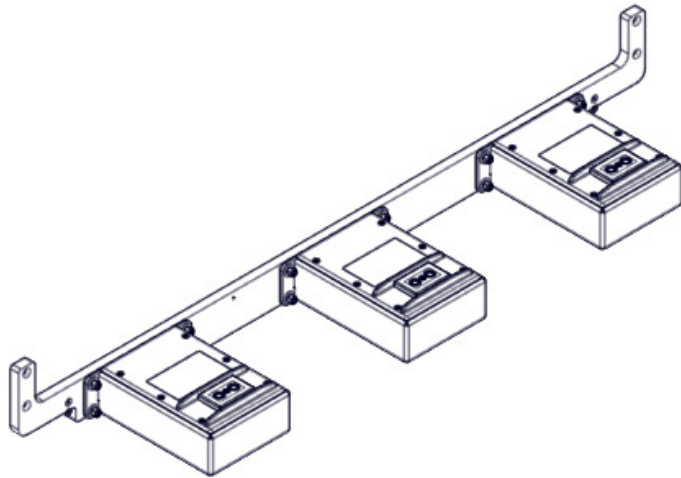
handmade in florence

# STEAM BOILER

## Caldaia Vapore

1	<a href="#">B.2.029</a>	VALVE VACUUM BREAKER SMA G1/4 S/S	VALVOLA ANTIDEPRESSIONE SMA G1/4 INOX
2	<a href="#">T.1.017</a>	TUBE H2O TEE - THERMOSTATIC VALVE GB5	TUBO T H2O - VALVOLA TERMOSTATICA GB5
3	A.2.002.01	TEE FITTING R1/4M WR13 BRASS TREATED	RACCORDO A T R1/4M CH13 OTTONE TRATT.
4	F.1.018.01	CUP SAFETY VALVE W/DRAIN TUBE	BICCHIERE VALVOLA SICUREZZA C/TUBO
5	<a href="#">L180/1</a>	WASHER 22X17X1,5 COPPER	RONDELLA 17X22X1,5 RAME
6	<a href="#">B.2.024</a>	SAFETY VALVE G3/8 1,8 BAR TEA	VALVOLA DI SICUREZZA G3/8 1,8 BAR TEA
7	<a href="#">I.1.006</a>	SCREW M4X8 PHILLIPS BUTTON HEAD S/S A2	VITE M4X8 TPB A CROCE INOX A2
8	<a href="#">F.1.019</a>	SAFETY VALVE PROTECTION CUP COVER	COPERCHIO BICCHIERE VALV. SICUREZZA
9	<a href="#">T.4.001</a>	ANTISUCTION VALVE SILICONE TUBE	TUBO SILICONE 5X8 V. ANTIRISUCCHIO
10	L338/L100.01	CABLE TIE 120x2,5MM HIGH TEMPERATURE	FASCETTA FERMAFILO 120x2,5MM ALTE TEMP.
11	<a href="#">5.V010</a>	FASTENER ADHESIVE SUPPORT	INCOLLINO
12	A.7.001.01	T FITTING FOR SILICONE TUBE	PORTAGOMMA A T PER TUBO SILICONE
<b>Item</b>	<b>Part number/Codice</b>	<b>Description</b>	<b>Descrizione</b>

# SCALES ASSEMBLY - SCALES VERSION





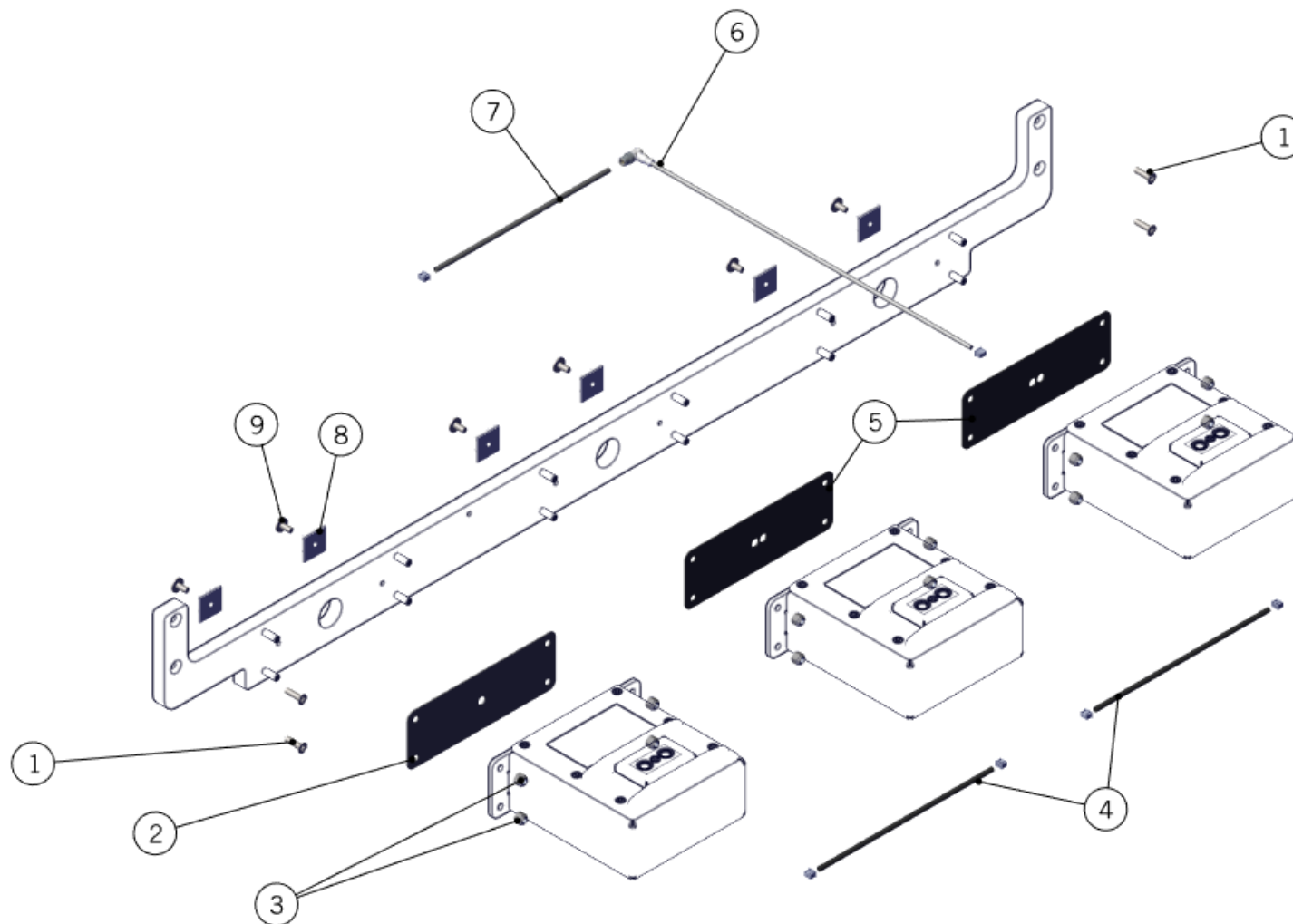
**la marzocco**

handmade in florence

## SCALES ASSEMBLY - SCALES VERSION

<b>Balance</b>	1	C.1.484.2	TRAY DRAIN GB5 X-S SCALES 2GR	BACINELLA GB5 X-S BILANCE 2GR
		C.1.484.3	TRAY DRAIN GB5 X-S SCALES 3GR	BACINELLA GB5 X-S BILANCE 3GR
		C.1.484.4	TRAY DRAIN GB5 X-S SCALES 4GR	BACINELLA GB5 X-S BILANCE 4GR
	2	C.1.483.2	DRAIN GRID GB5 X-S 2GR W/ SCALES	GRIGLIA SCARICO GB5 X-S 2GR CON BILANCE
		C.1.483.3	DRAIN GRID GB5 X-S 3GR W/ SCALES	GRIGLIA SCARICO GB5 X-S 3GR CON BILANCE
		C.1.483.4	DRAIN GRID GB5 X-S 4GR W/ SCALES	GRIGLIA SCARICO GB5 X-S 4GR CON BILANCE
3	<a href="#">F.1.089</a>	PROTECT.WATER TRAY DRAIN STRADA W/SCALES	PROTEZ. ACQUA BACINELLA STRADA C/BILANCE	
4	<a href="#">F.1.084.R</a>	ASSEMBLED SUPPORT WITH MAGNETS	SUPPORTO ASSEMBLATO CON MAGNETI	
5	<a href="#">C.1.278.R</a>	GRID SCALE COMPLETE	GRIGLIA BILANCIA COMPLETA	
Item	Part number/Codice	Description		Descrizione

# SCALES ASSEMBLY - SCALES VERSION





la marzocco

handmade in florence

## SCALES ASSEMBLY - SCALES VERSION

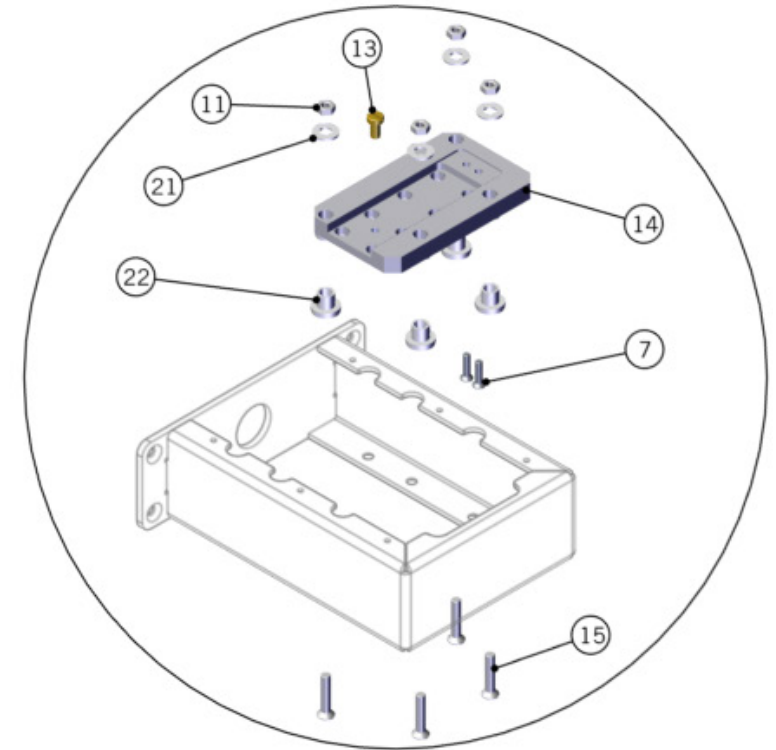
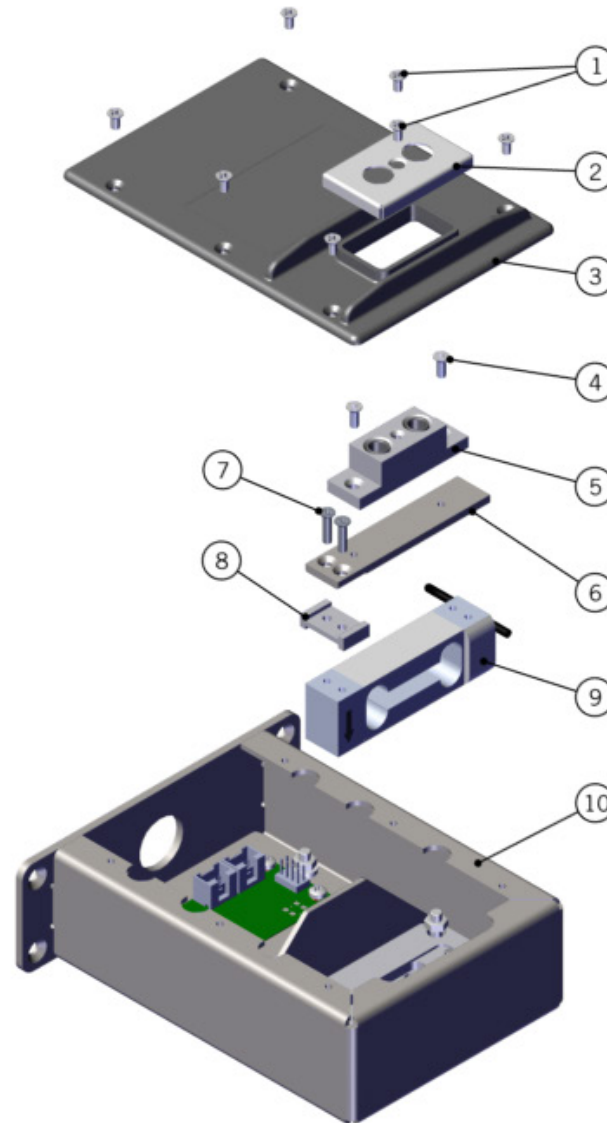
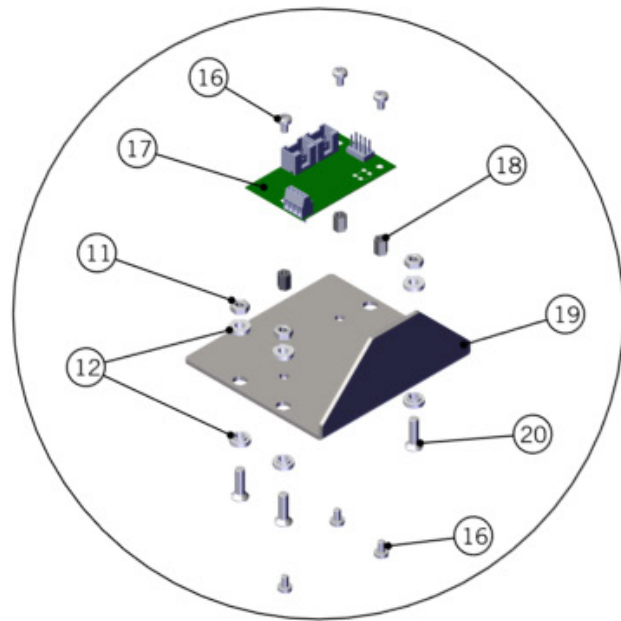
<b>Balance</b>	1	<a href="#">I.1.093</a>	SCREW M4X14 PHILLIPS COUNTERSUNK S/S A2	VITE M4X14 TS A CROCE INOX A2
	2	<a href="#">F.2.038</a>	SCALE GASKET 1	GUARNIZIONE BILANCIA 1
	3	<a href="#">DADO4AUTOBL</a>	SELF LOCK NUT M4 H5,5 WR7 GALVANIZED	DADO AUTOBL. M4 H5,5 CH7 ZINCATO
	4	<a href="#">E.4.124</a>	CABLE LOW TENSION C.A.	CAVO BASSA TENSIONE C.A.
	5	<a href="#">F.2.039</a>	SCALE GASKET 2	GUARNIZIONE BILANCIA 2
	6	<a href="#">E.4.125</a>	CABLE LOW TENSION C.A. W/CONN. IP67 MALE	CAVO BASSA T. C.A. C/CONN. IP67 MASCHIO
	7	<a href="#">E.4.123</a>	CABLE LOW T. C.A. W/CONN. IP67 FEMALE	CAVO BASSA T. C.A. C/CONN. IP67 FEMMINA
	8	<a href="#">5.V010</a>	FASTENER ADHESIVE SUPPORT	INCOLLINO
	9	<a href="#">I.1.099</a>	SCREW M4X10 MUSHROOM SLOTTED HEAD S/S	VITE M4X10 TPB A TAGLIO INOX
<b>Item</b>	<b>Part number/Codice</b>		<b>Description</b>	<b>Descrizione</b>



la marzocco

handmade in florence

# SCALES ASSEMBLY - SCALES VERSION





la marzocco

handmade in florence

## SCALES ASSEMBLY - SCALES VERSION

Bilancia

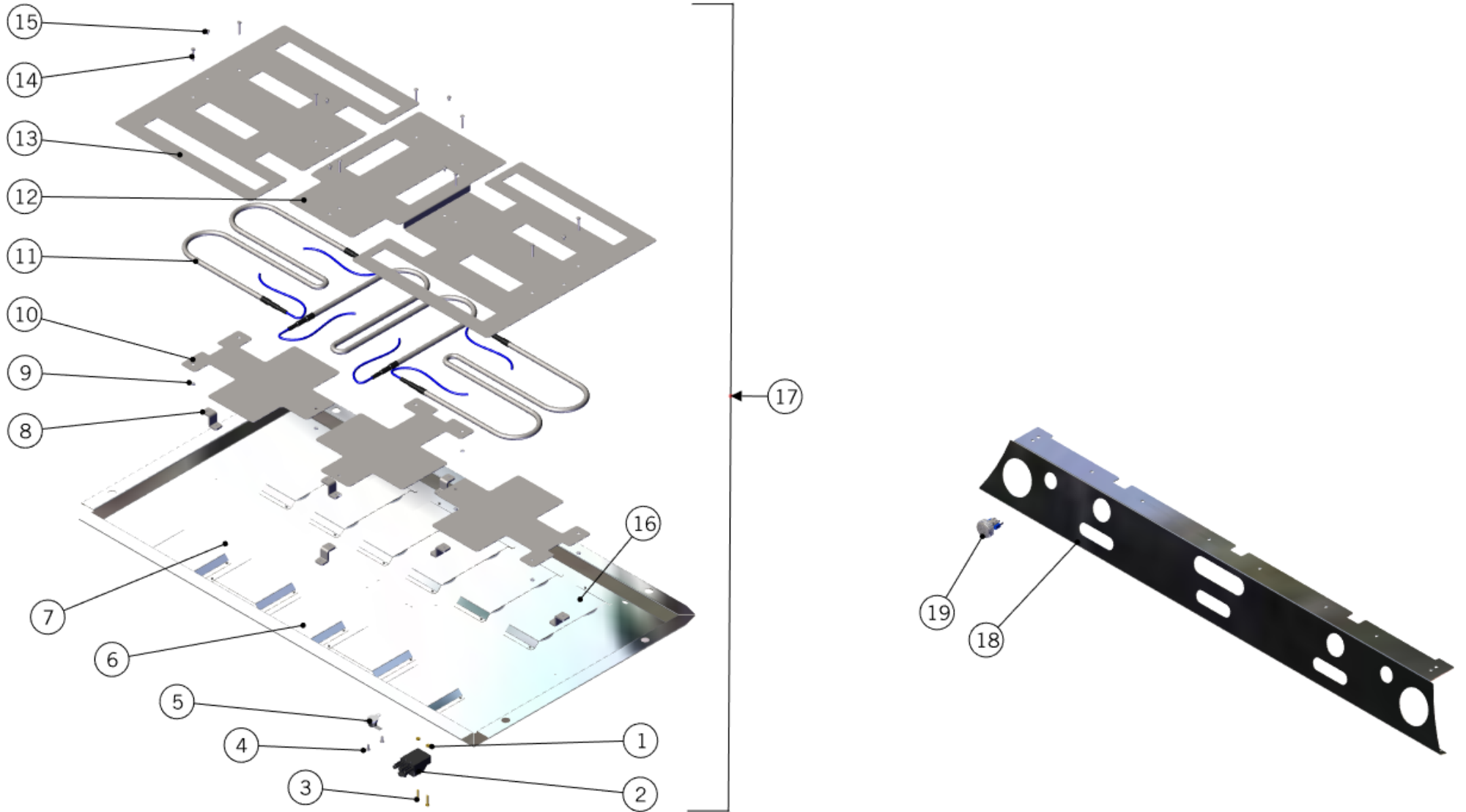
1	I.1.060	SCREW M3X6 PHILLIPS COUNTERSUNK S/S A2	VITE M3X6 TS A CROCE INOX A2
2	F.3.057	PROTECTION LOAD CELL	PROTEZIONE CELLA DI CARICO
3	F.1.127	COVER SCALE KB90	COPERCHIO BILANCIA KB90
4	I.1.004	SCREW M3X8 SOCKET COUNTERSUNK S/S A2	VITE M3X8 TS A BRUGOLA INOX A2
5	F.6.006.R	LOAD CELL MOUNTING BRACKET W/ BUSHINGS	INNESTO GRIGLIA BILANCIA CON BOCCOLE
6	F.3.055	CANTILEVER FOR SOCKET	SUPPORTO INNESTO
7	I.1.045	SCREW M3X12 PHILLIPS COUNTERSUNK S/S A2	VITE M3X12 TS A CROCE INOX A2
8	I.8.001	SPACER SQUARE 20X12X5 ALUMINUM	DISTANZIALE QUADRO 20X12X5 ALLUMINIO
9	E.1.030.R	LOAD CELL KIT	KIT CELLA DI CARICO
10	C.1.396	BOX SCALE MODBAR	SCATOLA BILANCIA MODBAR
11	DADOINOXM4	NUT M4 H3 WR7 S/S A2	DADO M4 H3 CH7 INOX A2
12	RONDELLA4X9	WASHER 4X9X0,8 BRASS	RONDELLA 4X9X0,8 OTTONE
13	VITE4X8	SCREW M4X8 CHEESE BRASS	VITE M4X8 TC A TAGLIO OTTONE
14	F.6.005	LOAD CELL SUPPORT	SUPPORTO CELLA DI CARICO
15	I.1.076	SCREW M4X20 PHILLIPS COUNTERSUNK S/S A2	VITE M4X20 TS A CROCE INOX A2
16	I.1.054	SCREW M3X5 PHILLIPS ROUND PAN S/S A2	VITE M3X5 TCB A CROCE INOX A2
17	E.1.031.02	LOAD CELL ELECTRONIC BOARD	SCHEDA ELETTRONICA CELLE DI CARICO
18	I.6.012	STANDOFF HEX THREADED	DISTANZIALE ESAGONALE FILETTATO
19	F.3.108	BASE SCALE BOARD LINEA	BASE SCHEDA BILANCIA LINEA
20	I.1.093	SCREW M4X14 PHILLIPS COUNTERSUNK S/S A2	VITE M4X14 TS A CROCE INOX A2
21	I.6.013	WASHER M4 PLASTIC	RONDELLA M4 PLASTICA
22	F.1.117	INSERT WITH SHOULDER M4x7	BOCCOLA CON SPALLAMENTO M4x7
<b>Item</b>	<b>Part number/Codice</b>	<b>Description</b>	<b>Descrizione</b>



la marzocco

handmade in florence

# CUPWARMER HEATING ELEMENTS





**la marzocco**

handmade in florence

# CUPWARMER HEATING ELEMENTS

**Scaldatazze**

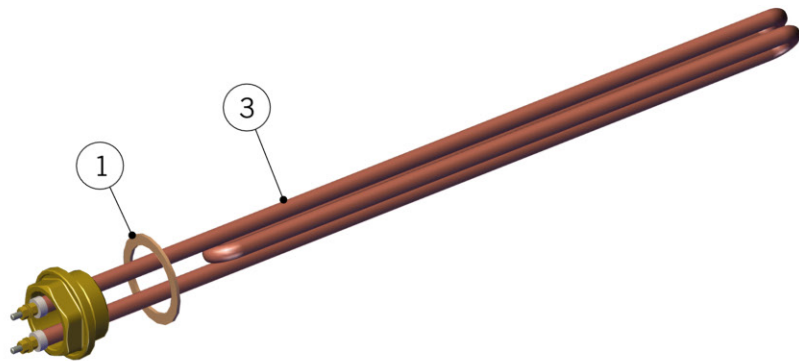
1	<a href="#">DADO3M</a>	NUT M3 H3 WR5,5 BRASS	DADO M3 H3 CH5,5 OTTONE
2	L265/M_UL	UL MALE CONNECTOR	CONNETTORE MASCHIO UL
3	<a href="#">VITE3X16</a>	SCREW M3X16 CHEESE BRASS	VITE M3X16 TC A TAGLIO OTTONE
4	<a href="#">VITE3X8</a>	SCREW M3X8 PHILLIPS ROUND-PAN S/S A2	VITE M3X8 TCB A CROCE INOX A2
5	L265	SAFETY THERMOSTAT 1P 90C 250V	TERMOSTATO UNIPOL. 90C 250V
6	C.1.030.02	PROTECTION CUPWARMER HOLE 116MM	PROTEZIONE FORO SCALDATAZZE 116MM
7	<a href="#">I.1.108</a>	CAP NUT M3 H6,5 CH5,5 S/S	DADO C/CALOTTA M3 H6,5 CH5,5 INOX
8	<a href="#">C.1.283</a>	BRACKET HEAT-CONDUCTING PLATE CUPWARMER	STAFFA PIASTRA CONDUTTIVA SCALDATAZZE
9	<a href="#">DADOINOXM3</a>	NUT M3 H2 WR5,5 S/S A2	DADO M3 H2 CH5,5 INOX A2
10	<a href="#">C.1.282</a>	PLATE SLOT RESISTANCE	PIASTRA ALLOGGIO RESISTENZA
11	<a href="#">E.6.014</a>	CUPWARMER HEATING ELEMENT 140W 220V	RES. SCALDATAZZE 140W 220V
12	<a href="#">C.1.286</a>	PLATE CONDUCTIVE CUPWARMER 185MM	PIASTRA CONDUTTIVA SCALDATAZZE 185MM
13	<a href="#">C.1.285</a>	PLATE CONDUCTIVE CUPWARMER	PIASTRA CONDUTTIVA SCALDATAZZE
14	<a href="#">I.1.055</a>	SCREW M3X20 HEX HEAD S/S A2	VITE M3X20 TE INOX A2
15	<a href="#">I.1.054</a>	SCREW M3X5 PHILLIPS ROUND PAN S/S A2	VITE M3X5 TCB A CROCE INOX A2
16	C.1.100.01	PROTECTION CUPWARMER HOLE 170 MM	PROTEZIONE FORO SCALDATAZZE 170 MM
17	SA353.2.R	KIT CUPWARMER MULTI PLATES GB5 X-S 2GR	KIT SCALDAT. MULTI PIASTRE GB5 X-S 2GR
	SA353.3.R	KIT CUPWARMER MULTI PLATES GB5 X-S 3GR	KIT SCALDAT. MULTI PIASTRE GB5 X-S 3GR
	SA353.4.R	KIT CUPWARMER MULTI PLATES GB5 X-S 4GR	KIT SCALDAT. MULTI PIASTRE GB5 X-S 4GR
18	C.1.490.2	PANEL CONTROL GB5 2GR EE W/CUPWARMER	PANNELLO CONTROLLO GB5 2GR EE C/SCALD
	C.1.490.3	PANEL CONTROL GB5 3GR EE W/CUPWARMER	PANNELLO CONTROLLO GB5 3GR EE C/SCALD
	C.1.490.4	PANEL FRONT CONTROL GB5 4EE W/CUPWARMER	PANNELLO CONTROLLO GB5 4GR EE C/SCALD
19	<a href="#">E.2.052</a>	S/S CUPWARMER SWITCH W/WHITE LED	TASTO SCALDATAZZE LASERATO LED BIANCO
<b>Item</b>	<b>Part number/Codice</b>	<b>Description</b>	<b>Descrizione</b>



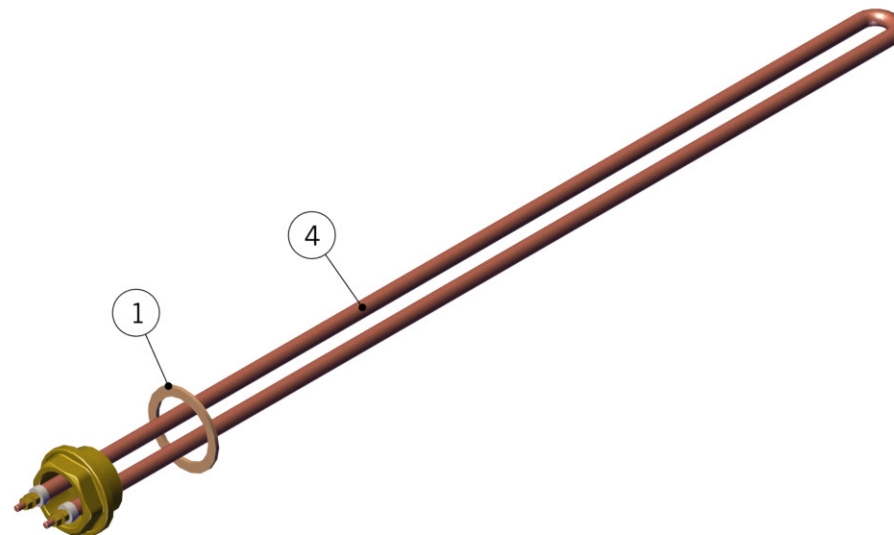
la marzocco

handmade in florence

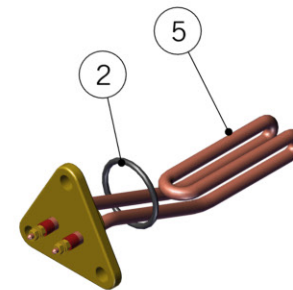
# HEATING ELEMENTS



STEAM BOILER  
CALDAIA VAPORE



COFFEE BOILER (S VERSION)  
CALDAIA CAFFÈ' (VERSIONE S)



COFFEE BOILER (X VERSION)  
CALDAIA CAFFÈ' (VERSIONE X)



la marzocco

handmade in florence

# HEATING ELEMENTS

2 GROUPS / 2 GRUPPI		STEAM BOILER		3	COFFEE BOILER		4	5	Item	Part number/Codice	Description	Descrizione	
		STANDARD	HIGH		STANDARD	STANDARD							
1	LR360										1-1/4 HEATER ELEMENT GASKET	GUARNIZIONE PIANA DM.55X42X2	
2	F.2.014										O-RING 3,53X37,69 VITON 70 ShA	O-RING 3,53X37,69 VITON 70 ShA	
											<b>STEAM BOILER HEATING ELEMENTS</b>	<b>RESISTENZE PER CALDAIA VAPORE</b>	
											LR342/220B.03	HEATING ELEMENT W2000 V220 CM29 1-1/4 RP	RES. EL. W2000 V220 CM29 1-1/4 RP
											LR350/380B.03	HEATING ELEMENT W2000 V380 CM29 1-1/4 RP	RES. EL. W2000 V380 CM29 1-1/4 RP
											LR357/200B.03	HEATING ELEMENT W3000 V200 CM39 1-1/4 RP	RES. EL. W3000 V200 CM39 1-1/4 RP
											LR357/220B.03	HEATING ELEMENT W3000 V220 CM39 1-1/4 RP	RES. EL. W3000 V220 CM39 1-1/4 RP
											LR357/380B.03	HEATING ELEMENT W3000 V380 CM39 1-1/4 RP	RES. EL. W3000 V380 CM39 1-1/4 RP
											LR358/200B.03	HEATING ELEMENT W2000 V200 CM29 1-1/4 RP	RES. EL. W2000 V200 CM29 1-1/4 RP
											E.6.017	HEATING ELEMENT W3000 V240 CM39 1-1/4 RP	RES. EL. W3000 V240 CM39 1-1/4 RP
											<b>COFFEE BOILER HEATING ELEMENTS (S VERSION)</b>		<b>RESISTENZE PER CALDAIA CAFFE' (VERSIONE S)</b>
											LR365/200.03	HEATING ELEMENT W1400 V200 CM43 1-1/4 RP	RES. EL. W1400 V200 CM43 1-1/4 RP
											LR365/220.03	HEATING ELEMENT W1400 V220 CM43 1-1/4 RP	RES. EL. W1400 V220 CM43 1-1/4 RP
											LR365/380.03	HEATING ELEMENT W1400 V380 CM43 1-1/4 RP	RES. EL. W1400 V380 CM43 1-1/4 RP
											<b>COFFEE BOILER HEATING ELEMENTS (X VERSION)</b>		<b>RESISTENZE PER CALDAIA CAFFE' (VERSIONE X)</b>
											E.6.004.02	HEATING ELEMENT W800 V220 TRIANG.FL. RP	RES. EL. W800 V220 FL. TRIANG. RP
											E.6.006.02	HEATING ELEMENT W500 V200 TRIANG.FL. RP	RES. EL. W500 V200 FL. TRIANG. RP

Resistenze Elettriche



la marzocco

handmade in florence

# HEATING ELEMENTS

3 GROUPS / 3 GRUPPI		STEAM BOILER		COFFEE BOILER	
		STANDARD	HIGH	STANDARD	HIGH
1	LR360	1-1/4 HEATER ELEMENT GASKET		GUARNIZIONE PIANA DM.55X42X2	
2	F.2.014	O-RING 3,53X37,69 VITON 70 ShA		O-RING 3,53X37,69 VITON 70 ShA	
		<b>STEAM BOILER HEATING ELEMENTS</b>		<b>RESISTENZE PER CALDAIA VAPORE</b>	
3	E.6.019	HEAT.ELEM W3000 V220 CM50 1-1/4 4POLE TR		RES. EL. W3000 V220 CM50 1-1/4 4 POLI TR	
	E.6.021	HEAT.ELEM W3000 V380 CM50 1-1/4 4POLE TR		RES. EL. W3000 V380 CM50 1-1/4 4 POLI TR	
	E.6.023	HEAT.ELEM W4000 V200 CM50 1-1/4 4POLE TR		RES. EL. W4000 V200 CM50 1-1/4 4 POLI TR	
	E.6.008.02	HEAT.ELEM W4000 V380 CM50 1-1/4 4POLE TR		RES. EL. W4000 V380 CM50 1-1/4 4 POLI TR	
	E.6.009.02	HEAT.ELEM W4000 V220 CM50 1-1/4 4POLE TR		RES. EL. W4000 V220 CM50 1-1/4 4 POLI TR	
	E.6.027	HEAT.ELEM W3000 V200 CM50 1-1/4 4POLE TR		RES. EL. W3000 V200 CM50 1-1/4 4 POLI TR	
		<b>COFFEE BOILER HEATING ELEMENTS (S VERSION)</b>		<b>RESISTENZE PER CALDAIA CAFFE' (VERSIONE S)</b>	
4	LR362/220.03	HEATING ELEMENT W1600 V220 CM66 1-1/4 RP		RES. EL. W1600 V220 CM66 1-1/4 RP	
	LR364/380.03	HEATING ELEMENT W1600 V380 CM65 1-1/4 RP		RES. EL. W1600 V380 CM65 1-1/4 RP	
	LR366/200.03	HEATING ELEMENT W1900 V200 CM66 1-1/4 RP		RES. EL. W1900 V200 CM66 1-1/4 RP	
	LR366/220.03	HEATING ELEMENT W1900 V220 CM66 1-1/4 RP		RES. EL. W1900 V220 CM66 1-1/4 RP	
	LR366/380.03	HEATING ELEMENT W1900 V380 CM66 1-1/4 RP		RES. EL. W1900 V380 CM66 1-1/4 RP	
		<b>COFFEE BOILER HEATING ELEMENTS (X VERSION)</b>		<b>RESISTENZE PER CALDAIA CAFFE' (VERSIONE X)</b>	
5	E.6.004.02	HEATING ELEMENT W800 V220 TRIANG.FL. RP		RES. EL. W800 V220 FL. TRIANG. RP	
	E.6.006.02	HEATING ELEMENT W500 V200 TRIANG.FL. RP		RES. EL. W500 V200 FL. TRIANG. RP	
<b>Item</b>	<b>Part number/Codice</b>	<b>Description</b>		<b>Descrizione</b>	



la marzocco

handmade in florence

# HEATING ELEMENTS

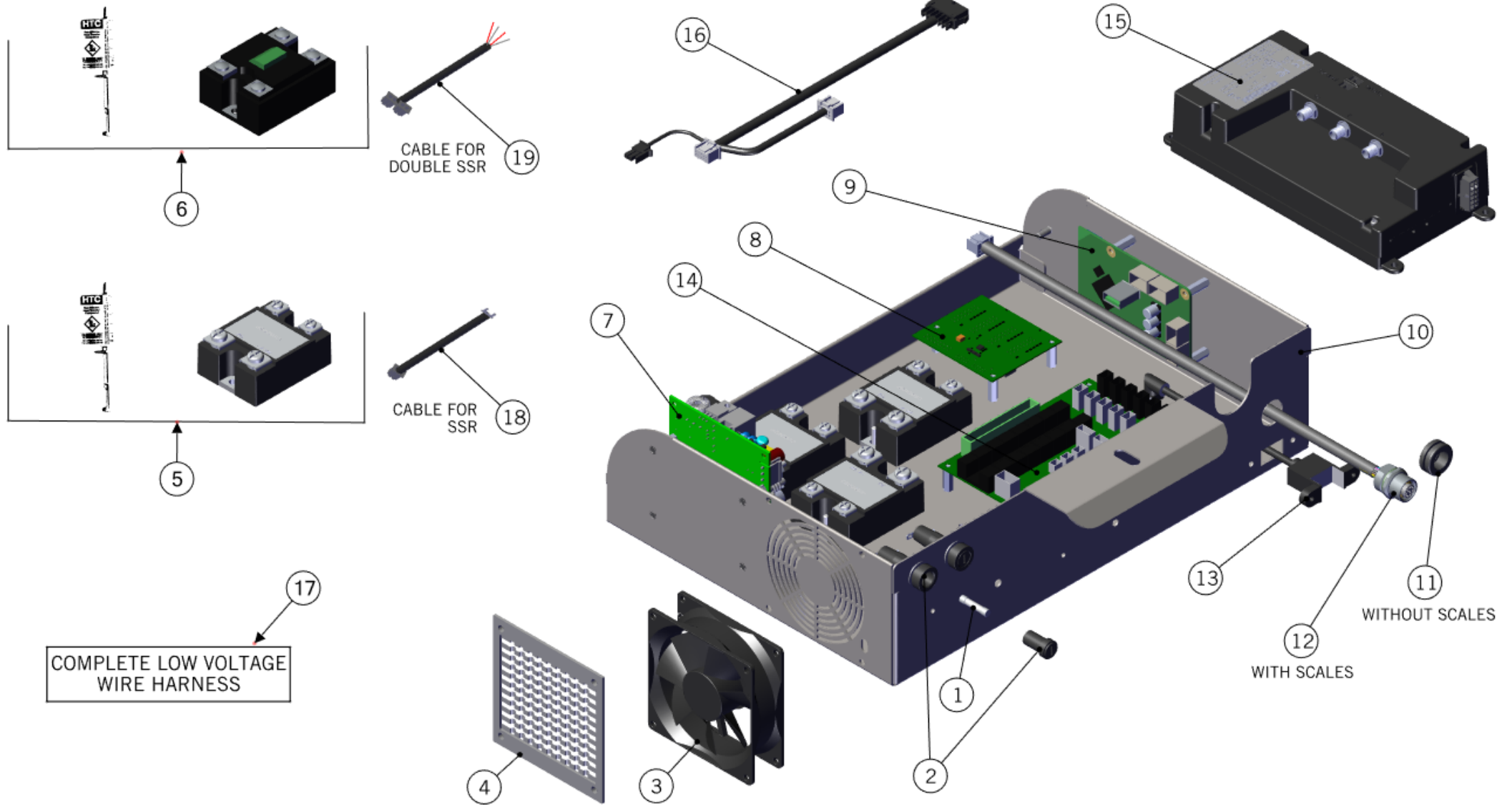
Resistenze Elettriche		4 GROUPS / 4 GRUPPI		Item	Part number/Codice	Description	Descrizione
		STEAM BOILER	COFFEE BOILER				
				1	LR360	1-1/4 HEATER ELEMENT GASKET	GUARNIZIONE PIANA DM.55X42X2
				2	F.2.014	O-RING 3,53X37,69 VITON 70 ShA	O-RING 3,53X37,69 VITON 70 ShA
		STEAM BOILER	STANDARD	<b>STEAM BOILER HEATING ELEMENTS</b>			<b>RESISTENZE PER CALDAIA VAPORE</b>
				E.6.020	HEAT.ELEM W3800 V220 CM50 1-1/4 4POLE TR	RES. EL. W3800 V220 CM50 1-1/4 4 POLI TR	
				E.6.021	HEAT.ELEM W3000 V380 CM50 1-1/4 4POLE TR	RES. EL. W3000 V380 CM50 1-1/4 4 POLI TR	
			HIGH	E.6.028	HEAT.ELEM W5000 V200 CM65 1-1/4 4POLE TR	RES. EL. W5000 V200 CM65 1-1/4 4 POLI TR	
				E.6.029	HEAT.ELEM W5000 V220 CM65 1-1/4 4POLE TR	RES. EL. W5000 V220 CM65 1-1/4 4 POLI TR	
				E.6.030	HEAT.ELEM W5000 V380 CM65 1-1/4 4POLE TR	RES. EL. W5000 V380 CM65 1-1/4 4 POLI TR	
		COFFEE BOILER	STANDARD	<b>COFFEE BOILER HEATING ELEMENTS (S VERSION)</b>			<b>RESISTENZE PER CALDAIA CAFFE' (VERSIONE S)</b>
				LR365/200.03	HEATING ELEMENT W1400 V200 CM43 1-1/4 RP	RES. EL. W1400 V200 CM43 1-1/4 RP	
				LR365/220.03	HEATING ELEMENT W1400 V220 CM43 1-1/4 RP	RES. EL. W1400 V220 CM43 1-1/4 RP	
				LR365/380.03	HEATING ELEMENT W1400 V380 CM43 1-1/4 RP	RES. EL. W1400 V380 CM43 1-1/4 RP	
			STANDARD	<b>COFFEE BOILER HEATING ELEMENTS (X VERSION)</b>			<b>RESISTENZE PER CALDAIA CAFFE' (VERSIONE X)</b>
				E.6.004.02	HEATING ELEMENT W800 V220 TRIANG.FL. RP	RES. EL. W800 V220 FL. TRIANG. RP	
			E.6.006.02	HEATING ELEMENT W500 V200 TRIANG.FL. RP	RES. EL. W500 V200 FL. TRIANG. RP		



la marzocco

handmade in florence

# ELECTRICAL SYSTEM





la marzocco

handmade in florence

# ELECTRICAL SYSTEM

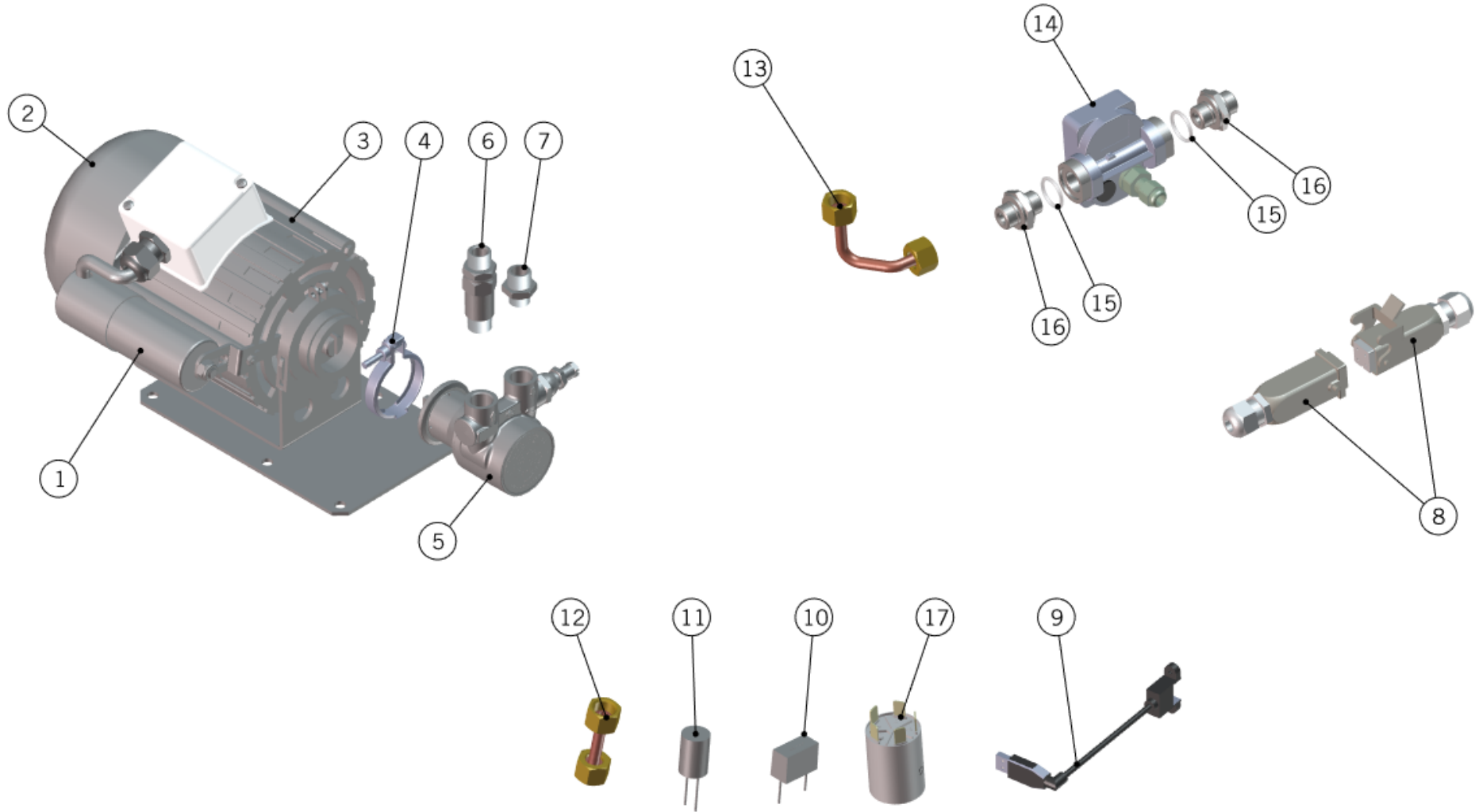
Sactola Elettronica

1	<a href="#">E.2.003</a>	UL FUSE 2A 250V.	FUSIBILE UL 2A 250V.
2	<a href="#">E.2.004</a>	UL FUSE HOLDER	PORTAFUSIBILE UL
3	<a href="#">E.2.025</a>	FAN 24V 80X80mm	VENTOLA 24V 80X80mm
4	F.3.132	GRID PROTECTION FAN 80MM	GRIGLIA PROTEZIONE VENTOLA 80MM
5	E.4.010.01.R	SSR 25A 240V W/THERMAL COMPOUND	RELE' 25A 240V C/PASTA TERMICA
	<a href="#">E.4.029.R</a>	SSR 50A 240V W/THERMAL COMPOUND	RELE' 50A 240V C/PASTA TERMICA
	E.4.035.R	SSR 25A 480V W/THERMAL COMPOUND	RELE' 25A 480V C/PASTA TERMICA
6	<a href="#">E.4.177.R</a>	SSR DUAL 25A 240V W/THERMAL COMPOUND	RELE DUAL 25A 240V C/PASTA TERMICA
	<a href="#">E.4.197.R</a>	SSR DUAL 50A 380V W/THERMAL COMPOUND	RELE DUAL 50A 380V C/PASTA TERMICA
7	E.2.075	POWER SUPPLY 24V 130W ACD	ALIMENTATORE 24V 130W ACD
8	E.1.060	SCHEDA BUTTON BOARD	SCHEDA BUTTON BOARD
9	<a href="#">E.1.041</a>	CORTEX BOARD	SCHEDA CORTEX
10	C.1.493	ELECTRONIC BOX GB5 X-S	SCATOLA ELETTRONICA GB5 X-S
11	<a href="#">F.2.040</a>	GROMMET BLIND 11-16X1,5 TPE	PASSACAVO CIECO 11-16X1,5 TPE
12	<a href="#">E.4.123</a>	CABLE LOW T. C.A. W/CONN. IP67 FEMALE	CAVO BASSA T. C.A. C/CONN. IP67 FEMMINA
13	<a href="#">E.2.040</a>	USB CABLE LINEA PB / STRADA EP	PROLUNGA USB PER LINEA PB / STRADA EP
14	E.1.061	UNIVERSAL BOARD 24V	UNIVERSAL BOARD 24V
15	E.8.006	INTERNAL BOX GATEWAY IOT	BOX INTERNO GATEWAY IOT
16	E.4.298	GATEWAY CONNECTION WIRING 1250MM	CABLAGGIO COLLEGAMENTO GATEWAY 1250MM
17	E.4.231.2	CABLAGGIO GB5 AV S-X 2GR BASSA TENSIONE	CABLAGGIO GB5 AV S-X 2GR BASSA TENSIONE
	E.4.231.3	CABLAGGIO GB5 AV S-X 3GR BASSA TENSIONE	CABLAGGIO GB5 AV S-X 3GR BASSA TENSIONE
18	E.4.227	CAVO COMANDO RELE' POMPA	CAVO COMANDO RELE' POMPA
19	E.4.226	CAVO COMANDO RELE' SCALDATAZZE E POMPA	CAVO COMANDO RELE' SCALDATAZZE E POMPA
<b>Item</b>	<b>Part number/Codice</b>		<b>Description</b>
			<b>Descrizione</b>



**la marzocco**  
handmade in florence

# ELECTRICAL SYSTEM AND PUMP





la marzocco

handmade in florence

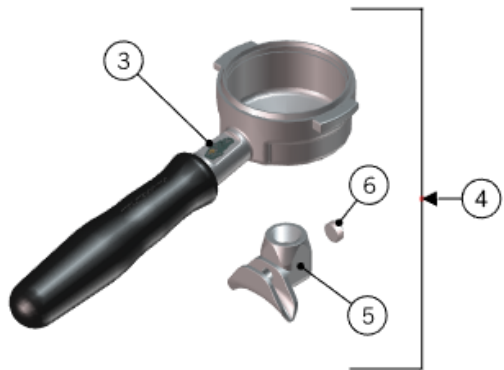
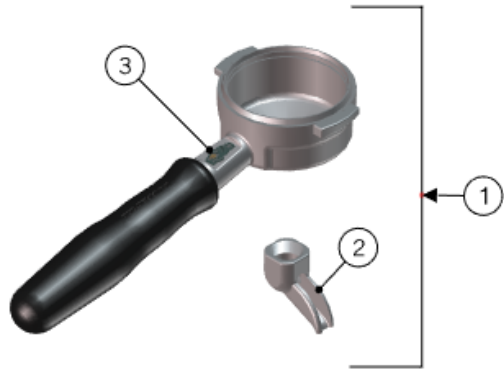
# ELECTRICAL SYSTEM AND PUMP

## Impianto Elettrico e Pompa

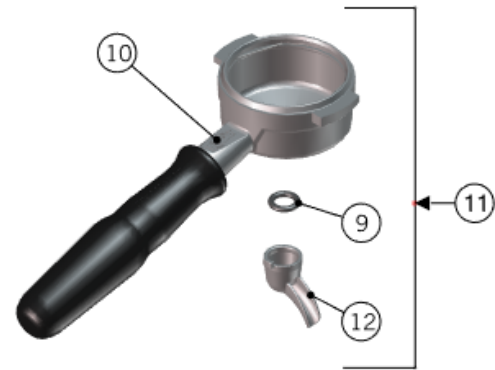
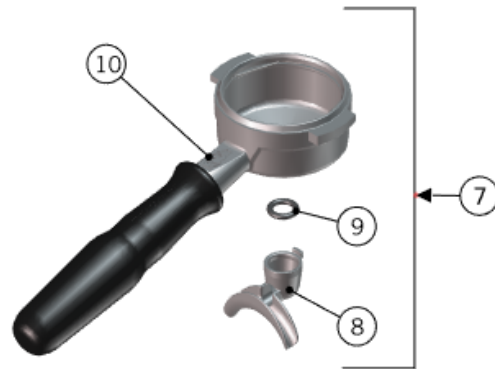
1	L290/CUL	10microF CAPACITOR (L290/8UL MOTOR)	CONDENSATORE 10MF X MOTORE
2	F.6.004	FAN COVER - PUMP MOTOR UL	COPRIVENTOLA ZINCATO X MOTORE L290/8UL
3	L290/8UL	UL MOTOR V.220-240 50/60 HZ	MOTORE CARENATO CHIUSO
4	L290/C	PUMP CLAMP	FASCETTA PER POMPA
5	L290/1.01	PUMP 150 LT/H	CORPO POMPANTE 150 L/H
	L290/2.01	PUMP 200 LT/H	CORPO POMPANTE 200 L/H
6	L032/P.01	CHECK VALVE G3/8M TREATED	VALVOLA DI RITEGNO G3/8M TRATTATA
7	L305/N.01	NIPPLE G3/8M-G3/8M WR20 H31 BRASS TR.	NIPPLIO G3/8M-G3/8M CH20 H31 OTTONE TR.
	L306/G.01	NIPPLE G3/8-3/8 COMPRESSION BRASS TR.	NIPPLIO G3/8-3/8 COMPRESSION OTTONE TR.
8	E.4.044	PUMP CABLE W/RAPID WATERPROOF CONNECTOR	CAVO POMPA C/CONNETTORE RAPIDO IP67
9	E.2.040	USB CABLE LINEA PB / STRADA EP	PROLUNGA USB PER LINEA PB / STRADA EP
10	L206	FILTER EMC	FILTRO EMC
11	E.2.030	2x22nF+0,1microF FILTER	FILTRO 2x22nF+0.1microF
12	T.1.056	TUBE PUMP DOUBLE CHECK VALVE COREA	TUBO DOPPIA V.RITEGNO POMPA COREA
13	T.1.281	TUBE WATER SENSOR - INLET FITTING	TUBO SENSORE ACQUA - RACCORDO INGRESSO
14	E.1.069	SONDA ACQUA	SONDA ACQUA
15	H.1.033	O-RING 2,62X18,72 SILICONE 70 SH	O-RING 2,62X18,72 SILICONE 70 SH
16	A.5.138	FITTING G3/8M H30 WR27 S/S	RACCORDO G3/8M H30 CH27 INOX
17	E.2.092	EMI\RFI FILTER 16A	FILTRO EMI\RFI 16A
<b>Item</b>	<b>Part number/Codice</b>	<b>Description</b>	<b>Descrizione</b>

# PORTAFILTER ASSEMBLY

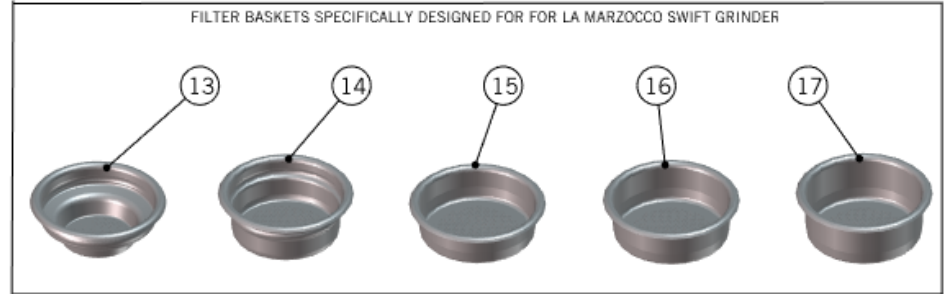
## BRASS PORTAFILTERS



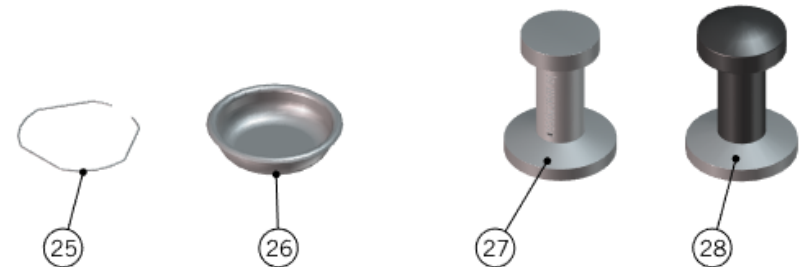
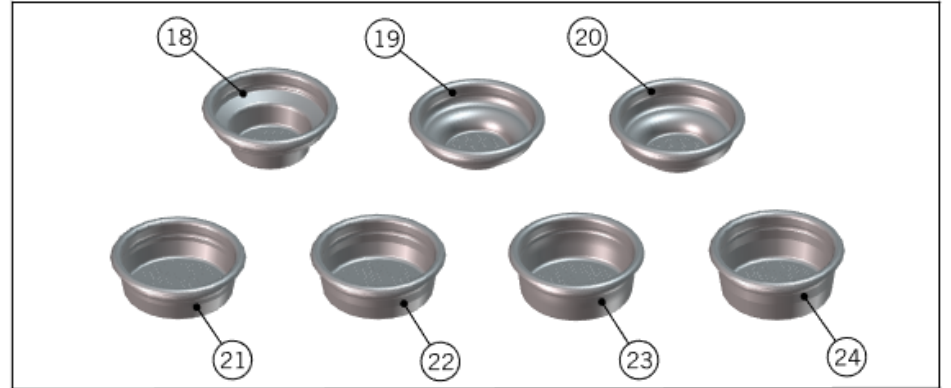
## STAINLESS STEEL PORTAFILTERS



### FILTER BASKETS SPECIFICALLY DESIGNED FOR FOR LA MARZOCCO SWIFT GRINDER



### STANDARD VERSION FILTER BASKETS





la marzocco

handmade in florence

# PORTAFILTER ASSEMBLY

Portafiltri

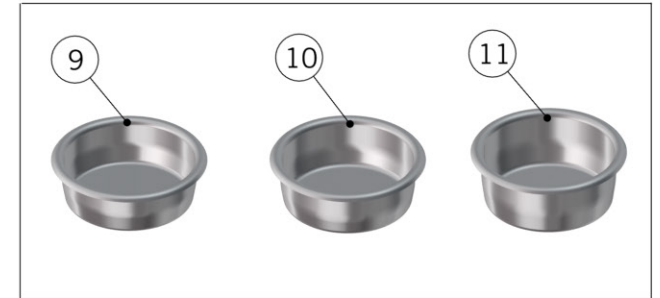
1	L111/1	PORTAFILTER SINGLE SPOUT BRASS	PORTAFILTRO BECCUCCIO SINGOLO OTTONE
2	L115.01	SPOUT 1 CUP W/TREATMENT FOR SANITATION	BECCUCCIO SINGOLO C/TRATTAMENTO ALIM.
3	L111/LM12.01	CUP PORTAFILTER BRASS WITH HANDLE	COPPA PORTAFILTRO OTTONE CON MANICO
4	L111/2N	PORTAFILTER DOUBLE SPOUT BRASS	PORTAFILTRO BECCUCCIO DOPPIO OTTONE
5	L119.01	SPOUT 2 CUPS W/TREATMENT FOR SANITATION	BECCUCCIO DOPPIO C/TRATTAMENTO ALIM.
6	L119/V	SCREW FOR DOUBLE SPOUT	VITE PER BECCUCCIO A 2 TAZZE
7	L111/2NAC	PORTAFILTER DOUBLE SPOUT	PORTAFILTRO BECCUCCIO DOPPIO
8	A.5.014.01	DOUBLE SPOUT S/S	BECCUCCIO DOPPIO INOX
9	H.1.017	O-RING 3,53X9,12 EPDM 70 SH	O-RING 3,53X9,12 EPDM 70 SH
	H.1.017.02	O-RING 3,37X9,12 EPDM	O-RING 3,37X9,21 EPDM
10	L111/SS.R	CUP PORTAFILTER S/S WITH HANDLE	COPPA PORTAFILTRO INOX CON MANICO
11	L111/1AC	PORTAFILTER SINGLE SPOUT	PORTAFILTRO BECCUCCIO SINGOLO
12	A.5.013.01	SINGLE SPOUT S/S	BECCUCCIO SINGOLO INOX
13	L115/A	FILTER 1 CUP	FILTRO A 1 TAZZA
14	L115/A/S	SINGLE FILTER	FILTRO A 1 TAZZA SINGOLO/DOPPIO
15	5.128	19mm SWIFT FILTER BASKET	FILTRO SWIFT 19mm
16	5.127	22mm SWIFT FILTER BASKET	FILTRO SWIFT 22mm
17	5.133	TRIPLE SWIFT FILTER BASKET	FILTRO SWIFT TRIPLO
18	F.3.029.GR	FILTER 7 GR STANDARD	FILTRO 7 GR STANDARD
19	F.3.053	FILTER 7 GR STANDARD ITALY	FILTRO 7 GR STANDARD ITALIA
20	F.3.134	FILTER 9 GR STANDARD	FILTRO 9 GR STANDARD
21	F.3.028.01	FILTER 14 GR STANDARD	FILTRO 14 GR STANDARD
22	F.3.027.01	FILTER 17 GR STANDARD	FILTRO 17 GR STANDARD
23	F.3.135	FILTER 19 GR STANDARD	FILTRO 19 GR STANDARD
24	F.3.026.01	FILTER 21 GR STANDARD	FILTRO 21 GR STANDARD
25	L113	SPRING D WIRE1,1 S/S FILTER LOCK	MOLLA DFIL01,1 INOX FERMAFILTRO
26	L115/C	BLIND FILTER	FILTRO CIECO X LAVAGGIO
27	F.3.045	S/S-ALUMINUM SINGLE-DOUBLE TAMPER	PRESSINO INOX-ALLUMINIO SINGOLO-DOPPIO
28	F.3.031.01	ANODIZED DOUBLE TAMPER S/S US VERSION	PRESSINO DOPPIO VERSIONE US ANODIZZATO
Item	Part number/Codice	Description	Descrizione

# PORTAFILTER ASSEMBLY

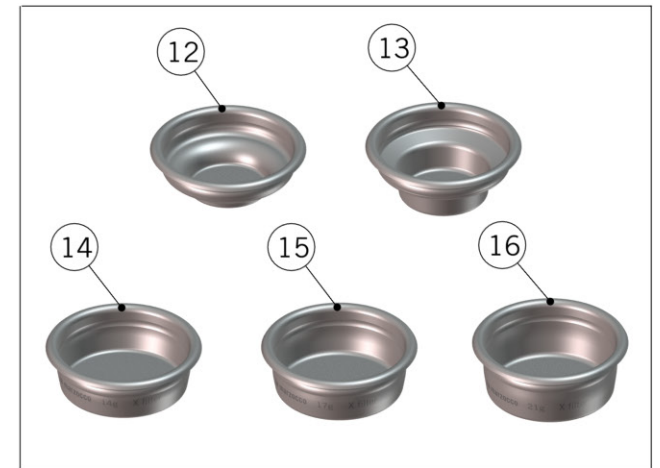
## FIXED SPOUT PORTAFILTERS



## RIDGELESS FILTER BASKETS



## X FILTER BASKETS - TESTED & CERTIFIED





la marzocco

handmade in florence

# PORTAFILTER ASSEMBLY

Portafiltri

1	<a href="#">A.5.078</a>	PORTAFILTER FIXED SINGLE SPOUT	PORTAFILTRO BECCUCCIO SINGOLO FISSO
2	<a href="#">A.5.126</a>	PORTAFILTER FIXED SINGLE SPOUT MAPLE	PORTAFILTRO BECC.SINGOLO FISSO ACERO
	<a href="#">A.5.128</a>	PORTAFILTER FIXED SINGLE SPOUT WALNUT	PORTAFILTRO BECC.SINGOLO FISSO NOCE
3	<a href="#">A.5.079</a>	PORTAFILTER FIXED DOUBLE SPOUT	PORTAFILTRO BECCUCCIO DOPPIO FISSO
4	<a href="#">A.5.127</a>	PORTAFILTER FIXED DOUBLE SPOUT MAPLE	PORTAFILTRO BECC.DOPPIO FISSO ACERO
	<a href="#">A.5.129</a>	PORTAFILTER FIXED DOUBLE SPOUT WALNUT	PORTAFILTRO BECC.DOPPIO FISSO NOCE
5	L111/2MW.R	PORTAFILTER DOUBLE SPOUT MAPLE	PORTAFILTRO BECCUCCIO DOPPIO ACERO
	L111/2WW.R	PORTAFILTER DOUBLE SPOUT WALNUT	PORTAFILTRO BECCUCCIO DOPPIO NOCE
6	L111/1MW.R	PORTAFILTER SINGLE SPOUT MAPLE	PORTAFILTRO BECCUCCIO SINGOLO ACERO
	L111/1WW.R	PORTAFILTER SINGLE SPOUT WALNUT	PORTAFILTRO BECCUCCIO SINGOLO NOCE
7	<a href="#">L111/X.01</a>	PORTAFILTER NAKED	PORTAFILTRO NUDO
8	A.5.060	PORTAFILTER NAKED WALNUT	PORTAFILTRO NUDO NOCE
	A.5.061	PORTAFILTER NAKED MAPLE	PORTAFILTRO NUDO ACERO
9	<a href="#">F.3.080</a>	FILTER 14 GR RIDGELESS	FILTRO 14 GR SENZA BORDATURA
10	<a href="#">F.3.079</a>	FILTER 17 GR RIDGELESS	FILTRO 17 GR SENZA BORDATURA
11	<a href="#">F.3.081</a>	FILTER 21 GR RIDGELESS	FILTRO 21 GR SENZA BORDATURA
12	<a href="#">F.3.054.X</a>	FILTER 7 GR X ITALIA	FILTRO 7 GR X ITALIA
13	<a href="#">F.3.029.X</a>	FILTER 7 GR X	FILTRO 7 GR X
14	<a href="#">F.3.028.X</a>	FILTER 14 GR X	FILTRO 14 GR X
15	<a href="#">F.3.027.X</a>	FILTER 17 GR X	FILTRO 17 GR X
16	<a href="#">F.3.026.X</a>	FILTER 21 GR X	FILTRO 21 GR X
<b>Item</b>	<b>Part number/Codice</b>	<b>Description</b>	<b>Descrizione</b>



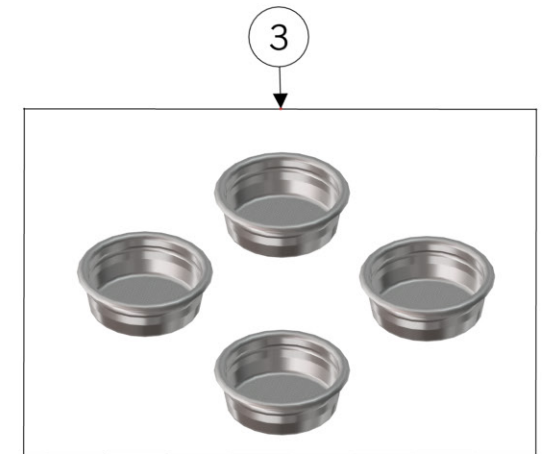
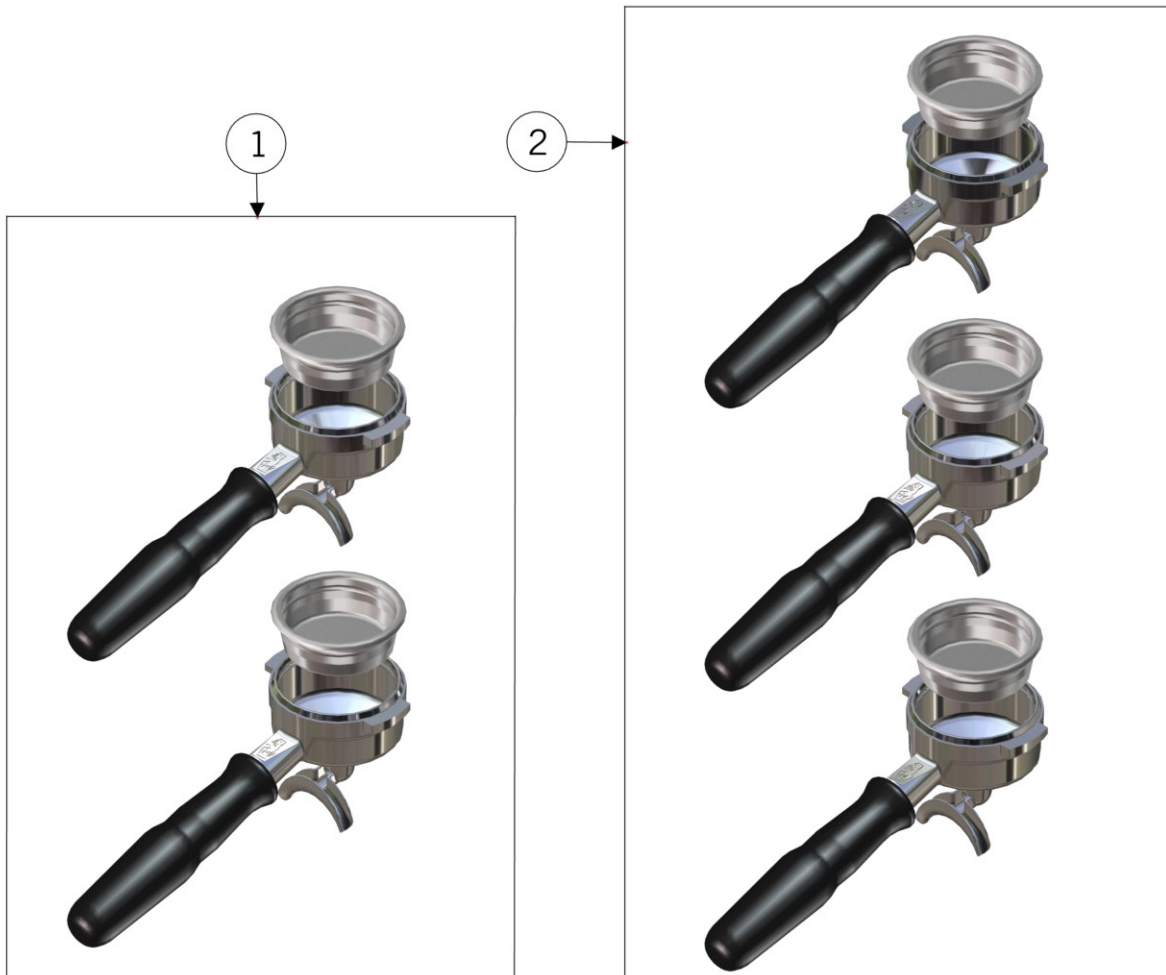
la marzocco

handmade in florence

## SCALES VERSION - PORTAFILTER ASSEMBLY



Precision portafilters are compatible with any La Marzocco machine. Each kit has a specific code, which identifies its weight and guarantees that every portafilter differs from each other by only 0,05g (0,18oz)



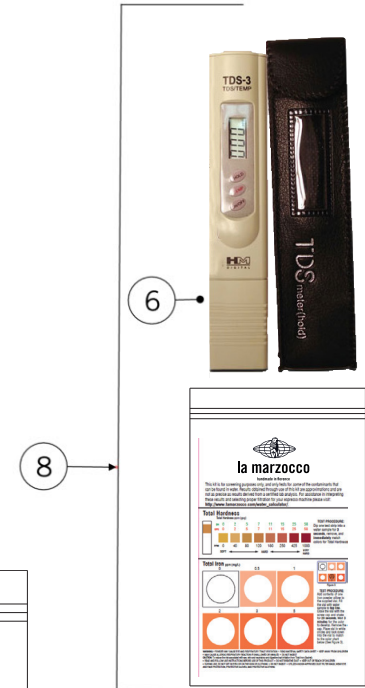
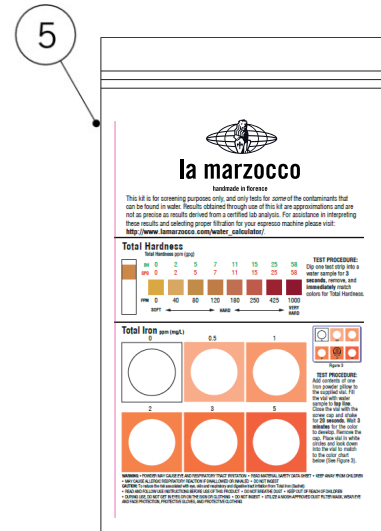
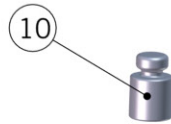
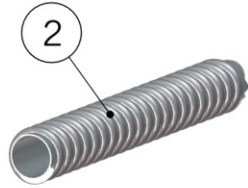
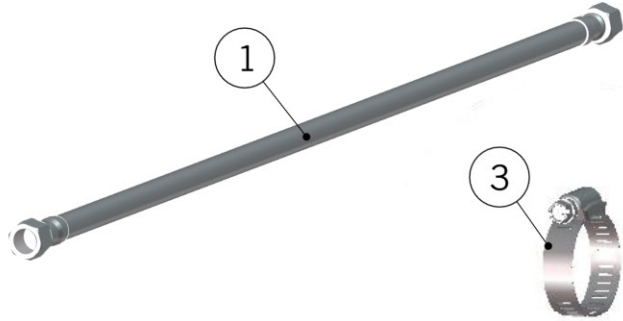


**la marzocco**  
handmade in florence

## SCALES VERSION - PORTAFILTER ASSEMBLY

Portafiltri	1	931-2	2 PRECISION PORTAFILTER KIT	KIT 2 PORTAFILTRI DI PRECISIONE
	2	931-3	3 PRECISION PORTAFILTER KIT	KIT 3 PORTAFILTRI DI PRECISIONE
	3	932	4x 17g S/S PRECISION FILTER BASKET KIT	KIT 4 FILTRI 17G PESATI
		947	4x 14g S/S PRECISION FILTER BASKET KIT	KIT 4 FILTRI 14G PESATI
948		4x 21g S/S PRECISION FILTER BASKET KIT	KIT 4 FILTRI 21G PESATI	
Item	Part number/Codice		Description	Descrizione

# HOSE AND ACCESSORIES





**la marzocco**

handmade in florence

# HOSE AND ACCESSORIES

## Tubi e Accessori

1	L305/050.01	BRAIDED HOSE CM.50 3/8 F	TUBO FLESSIBIL INOX 3/8F CM.50	
	L305/120.01	BRAIDED HOSE CM.120 3/8 F	TUBO FLESSIB INOX 3/8F CM.120	
	L305/210.01	BRAIDED HOSE CM.210 3/8F	TUBO FLESSIB INOX 3/8F CM.210	
	<a href="#">L306/050</a>	BRAIDED HOSE 3/8 COMPR. WR17 50CM NSF	TUBO FLEX 3/8 COMPR. CH17 50CM NSF	
	<a href="#">L306/120</a>	BRAIDED HOSE 3/8 COMPR. WR17 120CM NSF	TUBO FLEX 3/8 COMPR. CH17 120CM NSF	
	<a href="#">L306/210</a>	BRAIDED HOSE G3/8F WR20 210CM NSF	TUBO FLEX G3/8F CH20 210CM NSF	
	<a href="#">L306/210/C</a>	BRAIDED HOSE G3/8F WR20 210CM NSF CURVED	TUBO FLEX G3/8F CH20 210CM NSF C/CURV.	
	T.5.003	BRAIDED HOSE 3/8 COMPR. WR17 210CM NSF	TUBO FLEX 3/8 COMPR. CH17 210CM NSF	
	2	L308	CLEAR ARMOURED DRAIN HOSE	TUBO PU AIR SCARICO ACQUA DIA 20
	3	<a href="#">L312</a>	HOSE CLAMP	FASCETTA SERRATUBO 16/25 H.8
4	V067	LA MARZOCCO PURO CAFF POWDER	POLVERE LA MARZOCCO PURO CAFF	
5	<a href="#">F.9.000.01</a>	MULTIPLE PARAMETER TEST KIT	KIT PER ANALISI DELL'ACQUA	
6	<a href="#">F.9.003</a>	DIGITAL TDS METER	TDS METER DIGITALE	
7	<a href="#">F.1.065</a>	HTC THERMAL COMPOUND SYRINGE 2ML	SIRINGA GRASSO TERMICO HTC 2ML	
8	<a href="#">941</a>	WATER TEST KIT	KIT MISURAZIONE ACQUA	
9	<a href="#">UT008</a>	GASKET <a href="#">PICK</a>	ESTRATTORE PER GUARNIZIONI	
10	<a href="#">F.3.050</a>	LOAD 100g TO CALIBRATE SCALES	PESO 100g CALIBRAZIONE BILANCE	
<b>Item</b>	<b>Part number/Codice</b>	<b>Description</b>	<b>Descrizione</b>	

LA MARZOCCO SRL  
Via La Torre, 14/H  
Localita' La Torre  
50038 Scarperia e San Piero  
(Florence) - ITALY  
T. +39 055 849 191  
F. +39 055 849 1990  
info@lamarzocco.com  
www.lamarzocco.com